



EVEKTOR – AEROTECHNIK a.s.
Letecka 1384
686 04 Kunovice
Czech Republic

tel.: +420 572 537 111
fax: +420 572 537 900
e-mail: marketing@evektor.cz
<http://www.evektor.cz>

ILLUSTRATED PARTS CATALOGUE FOR

SportStar^{MAX}

LIGHT SPORT AIRCRAFT



0. General

This Spare Parts Catalogue serves to allow order some selected spare parts from the aircraft manufacturer.

For parts order use Spare Parts Order form enclosed in this catalogue or in Appendices of the Aircraft Maintenance and Inspection Procedures (Maintenance Manual). State part description, order No., required quantity and other information required in this form.

If you require other parts then is mentioned in this catalogue, do not hesitate contact us.

Aircraft manufacturer:
EVEKTOR – AEROTECHNIK a.s.
Letecka 1384
686 04 Kunovice
CZECH REPUBLIC
tel.: +420 572 537 316
fax: +420 572 537 900
marketing@evektor.cz
www.evektor.cz

0.1 Table of contents

0.	General	3
0.1	Table of contents	4
0.2	Overview	6
0.3	Pictures	6
0.4	Instructions for spare parts catalogue	6
0.5	Aircraft assembly	6
1	FUSELAGE	8
1.1	Tilting canopy	8
1.2	Canopy lock	10
1.3	Rear part of fuselage.....	16
1.4	Engine bed.....	18
1.5	Engine cowlings	20
1.6	Fuselage-central section	24
1.6.1	Fuselage-central section, skins, parts	28
1.6.2	Fuselage-central section, parts	32
1.6.3	Fuselage-central section, parts	34
1.6.4	Fuselage-central section, parts	38
1.6.5	Landing gear beam	40
1.7	Fuselage-rear section	44
1.7.1	Fuselage-rear section, skins, parts	46
1.7.2	Fuselage-rear section, parts	50
1.7.3	Fuselage-rear section, parts	52
2	WING	54
2.1	Wing.....	54
2.1.1	Wing mounting	56
2.2	Wing modification-A715 Landing light	58
2.3	Wet wing LH+RH	60
2.3.1	Wings, flaps	62
2.3.2	Wing airframe, wing skins	64
2.3.3	Fuel tank, fuel caps	68
3	TAIL UNITS	70
3.1	Tail units.....	70
3.1.1	Stabilizer	72
3.1.2	Elevator	74
4	CONTROLS.....	78
4.1	Controls.....	78
5	LANDING GEAR	80
5.1	Nose landing gear	80
5.2	Main landing gear	84
5.3	Tyre / tube.....	86
5.4	Wheel pants	88
5.4.1	Main wheel cover attachment	90
5.5	Brake system (four pumps system).....	94

5.5.1	Brake pump (E5 10-11 01).....	96
5.5.2	Double brake pump (E5 10-40 01/02).....	100
5.5.3	Brake cylinder	102
5.6	Brake system	104
5.7	Rudder and flaps control.....	108
5.7.1	Pedal assy LH (E4 95-00 01), pedal assy RH (E4 96-00 01).....	116
5.8	Parking brake.....	118
6	POWER UNIT	120
6.1	Exhaust system.....	120
6.2	Auxiliary fuel pump installation.....	122
6.3	Water cooling	124
6.4	Oil installation R 912S.....	126
6.5	Heating + both sides windshield air blowing	128
7	INSTALLATIONS	132
7.1	Electrical system	132
7.2	Electric trim tab control.....	134
7.3	Stall warning system	136
7.4	Digiflight IIVS Trutrak Auto Pilot.....	138
7.5	Cockpit lighting for Koger sunshade	140
7.6	Fuel instalation - integral tanks	142
8	COCKPIT EQUIPMENT.....	144
8.1	Cockpit equipment	144
8.2	Koger sunshade.....	146
9	OPTIONAL EQUIPMENT	148
9.1	Ground equipment	148
9.2	Spare connecting parts S0 00-15 01S	150
9.3	Instrument board shelter for NVFR	152
	Index.....	154
	Spare parts order	165

0.2 Overview

The Spare Parts Catalogue lists items of spare parts composing **Evektor SportStar Plus** and **Evektor Sportstar SL** plane.

Items forming the plane are grouped into section composed of groups (Fuselage, Wing, ...) formed by one or more sheets.

0.3 Pictures

The group name and drawing number are showed at the top:

1. Group name

1.1 Drawing number and name

Parts without item number are shown for better orientation only.

Suffix PLUS (+) and SL (S) at the end of picture's number and suffix P (+) and S at the end of position's number means validity for Evektor Sportstar Plus and SL type of plane.

0.4 Instructions for spare parts catalogue

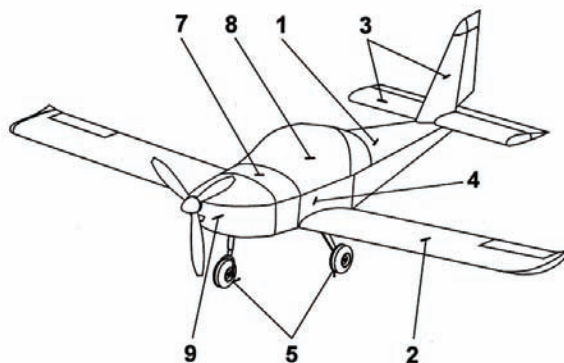
For repairs use original spare parts Evektor only.

To prevent unnecessary misunderstandings and time losses following data in spare parts orders are to be quoted.

1. Exact address of the ordering party, post office together with the postal code and railway station eventually.
2. Exact order number and spare part name.
3. Spare parts quantity required.
4. Serial number of the plane and the engine.
5. Way of dispatch.

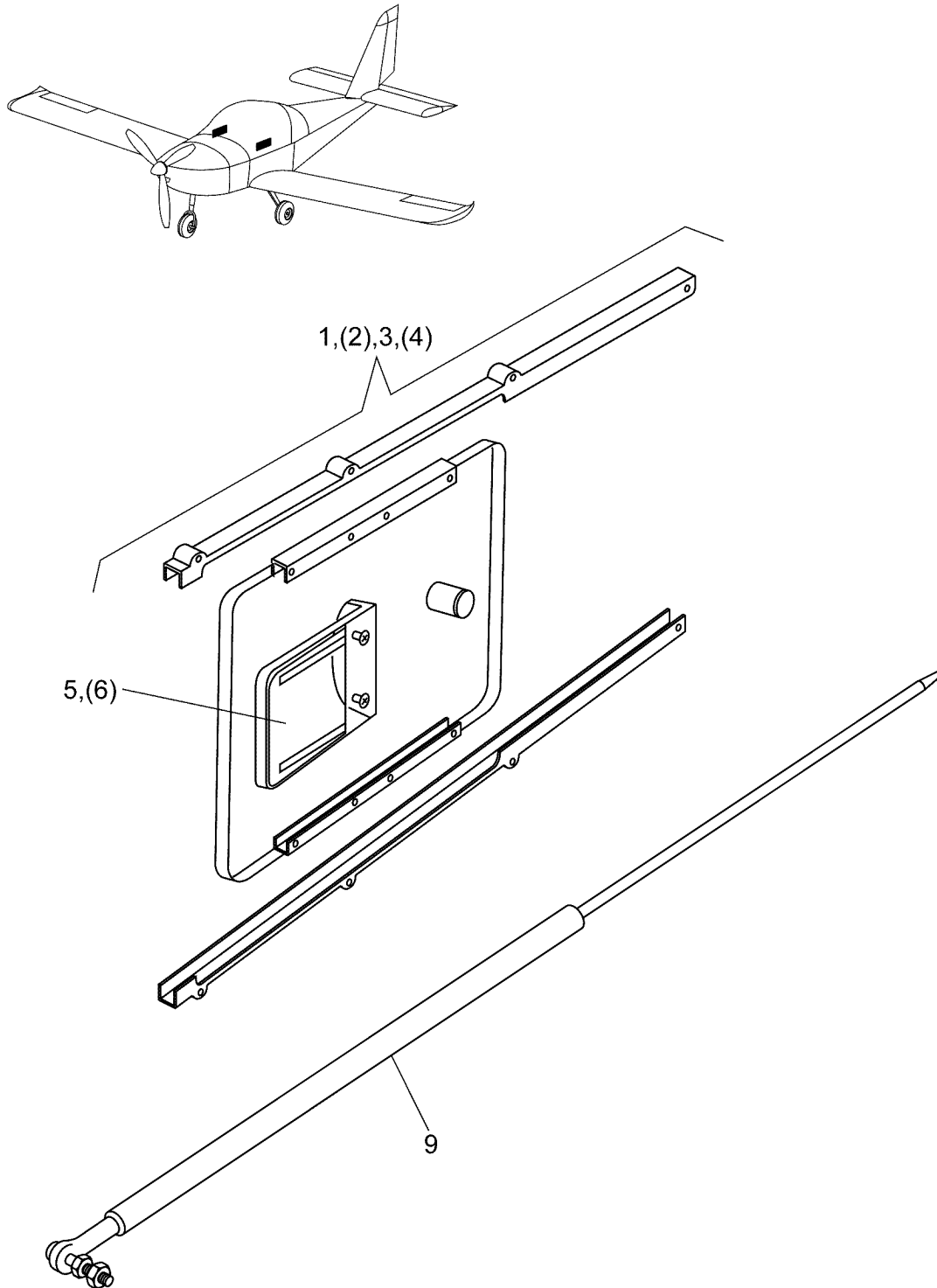
0.5 Aircraft assembly

- 1 FUSELAGE
- 2 WING
- 3 TAIL UNITS
- 4 CONTROLS
- 5 LANDING GEAR
- 6 POWER UNIT
- 7 INSTALLATIONS
- 8 COCKPIT EQUIPMENT
- 9 OPTIONAL EQUIPMENT



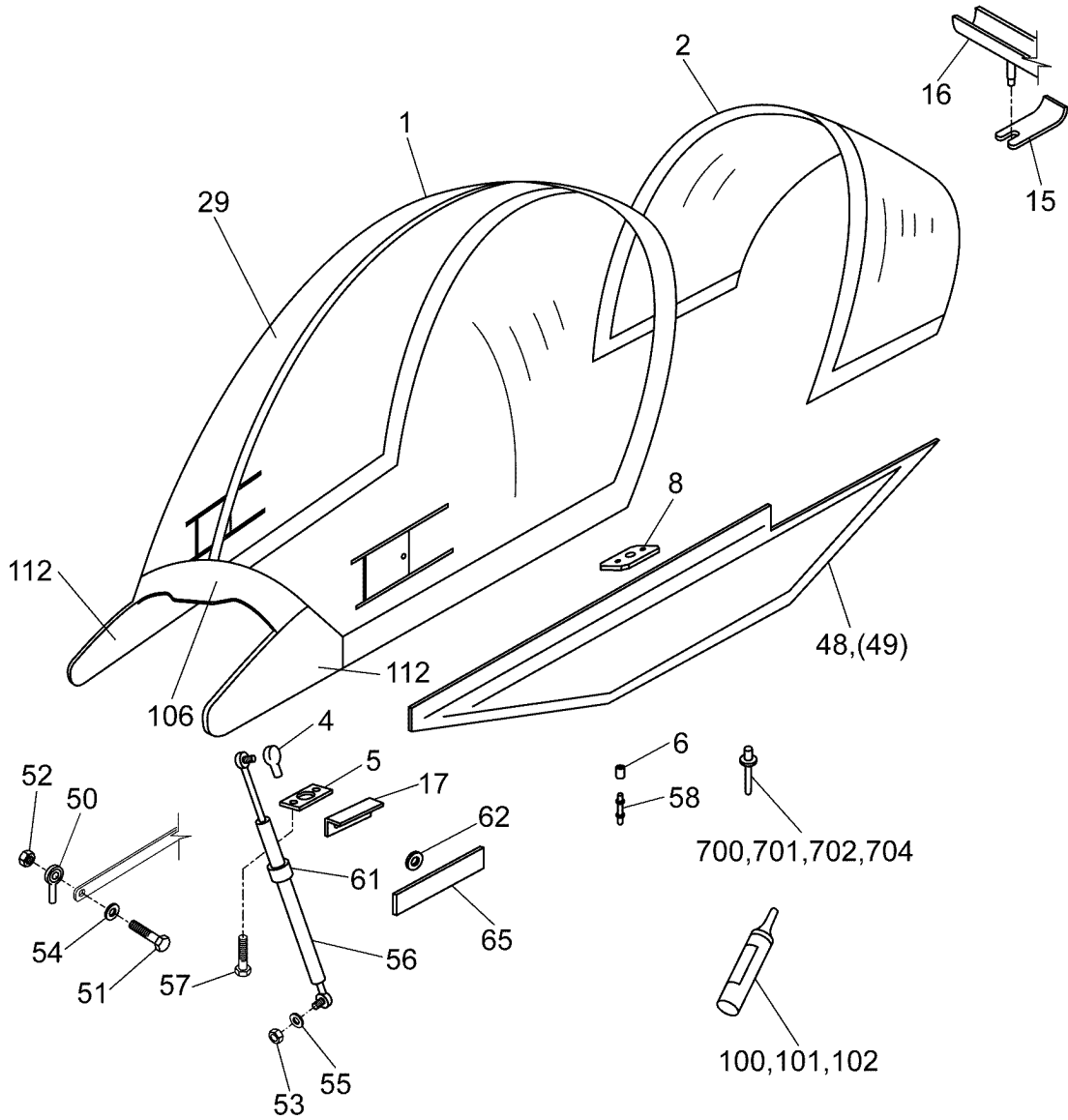
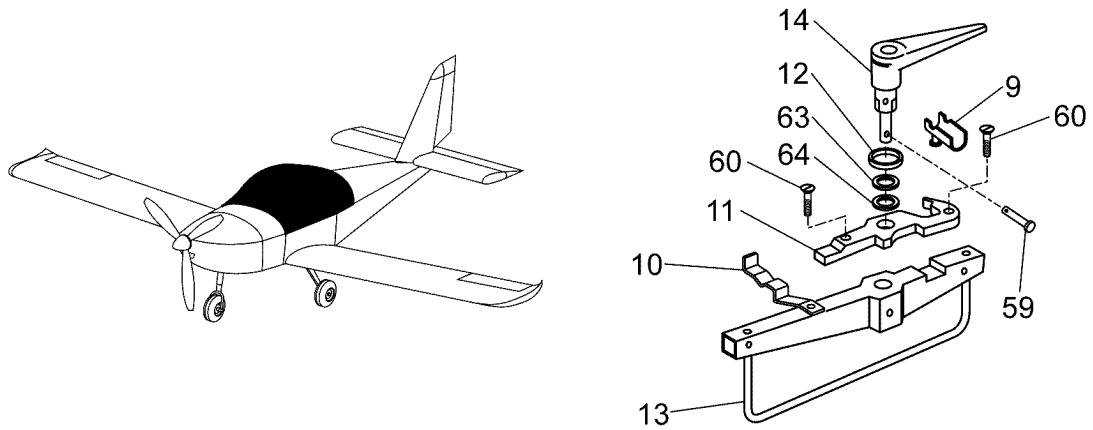
Intentionally left blank

SportStar^{MAX}	FUSELAGE	1.1PLUS
	Tilting canopy	



SportStar ^{MAX}		FUSELAGE				1.1PLUS
		Tilting canopy				
Pos.	Order number	Designation	Qty.	Standard	Note	
001	16246	Clear venting window LH	1			
002	16247	Clear venting window RH	1			
003	16944	Smoked venting window LH	1			
004	16945	Smoked venting window RH	1			
005	14328	Flap for venting window LH	1			
006	14329	Flap for venting window RH	1			
009	54101	Gas strut Bansbach	2	V0B3-86-200-462		

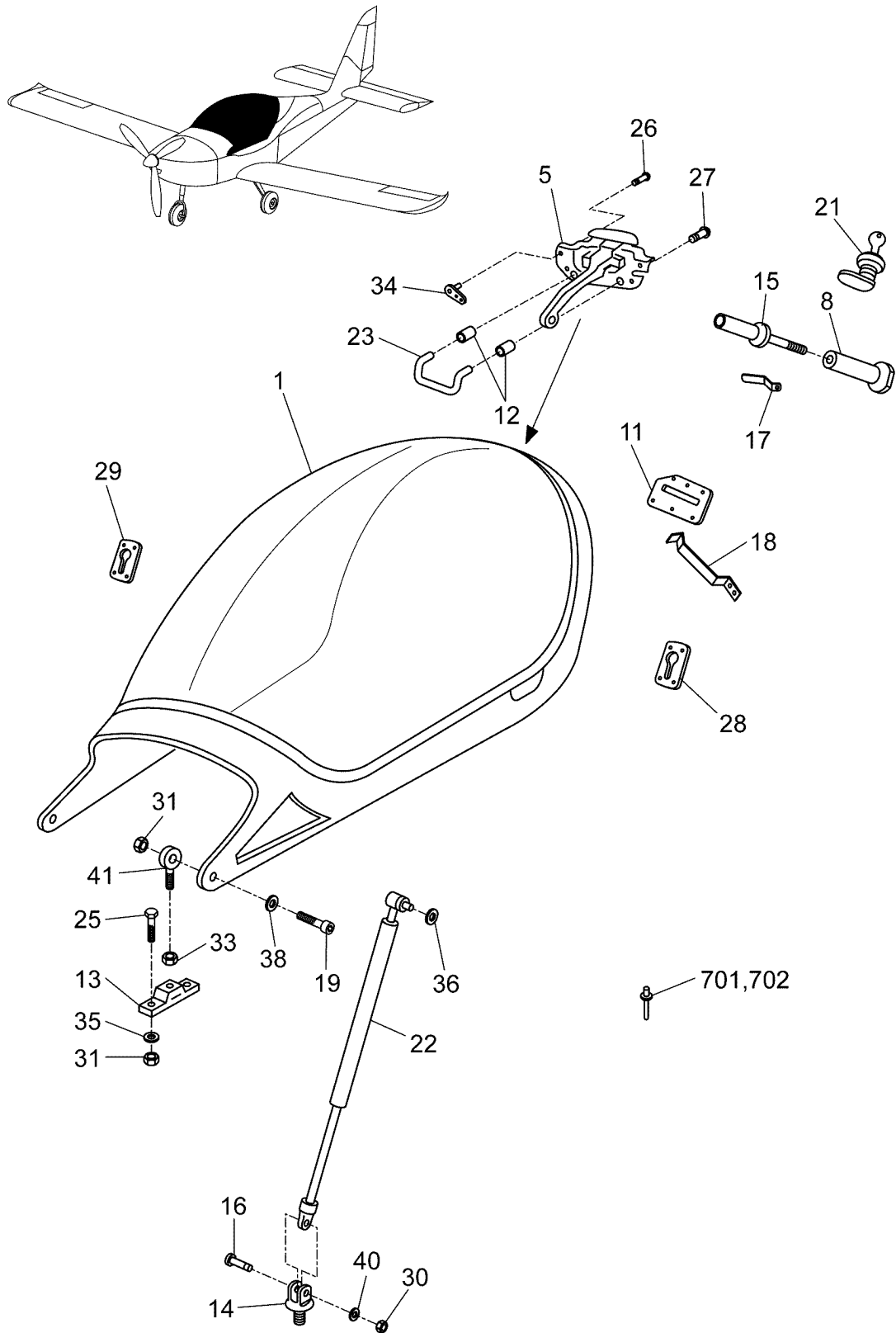
SportStar ^{MAX}	FUSELAGE	1.2PLUS
	Canopy lock	



SportStar ^{AM}		FUSELAGE				1.2PLUS
		Canopy lock				
Pos.	Order number	Designation	Qty.	Standard	Note	
001	E1 92-00 01	Wide tilting canopy	1			
002	E1 93-00 01	Fixed canopy	1			
004	761523	Ball journal	2			
005	761524	Ball journal bracket	2			
006	E1 91-02 21	Guiding pin	2			
008	E1 91-05 21	Guide	2			
009	E1 91-14 01	Upper pin welded	1			
010	E1 93-06 21	Spring	1			
011	E1 93-09 21	Lock handle	1			
012	E1 80-09 21	Ring	1			
013	E1 91-11 01	Assembled handle	1			
014	E1 60-09 01	Canopy lock ass.	1			
015	E1 93-10 21	Lock handle	1			
016	E1 91-07 01	Upper pin	1			
017	E1 91-06 21	Plate	2			
029	E1 92-04 21	Canopy glass wide tinted	1			
048	E1 91-01 01	Side fuselage cover L	1			
049	E1 91-01 02	Side fuselage cover R	1			
050	7002	Adjustable rod eye with swivel	2	SM 6		
051	2834	Screw M 6x23	2	ONL 3120.14		
052	3089	Self locking nut M6	2	DIN 980 8-V		
053	7494	Nut M 5	6	DIN 980 V		
054	6813	Washer 6.4	2	DIN 125-8-A2F		
055	44870	Washer 5.3	6	DIN 125-1		
056	54101	Gas strut Bansbach	2	V0B3-86-200-462		
057	18061	Screw M 4x10	4	DIN 963-8.8-A2F		
058	17150	Rivet 6x6	2	DIN 7339		
059	46193	Pin 3m6x16	1	EN ISO 2338		
060	1872	Screw M 3x16	2	CSN 02 1151.24		
061	13476	S1 rubber - oil proof	2			
062	3123	Washer 3.2	4	CSN 02 1726.15		
063	6814	Washer 8.4	2	DIN 125 A		
064	7738	Washer 8x0.5	1			
065	20686	Plate 2x400x400	2	TEFLON		
100	7199	Cement EMFIMASTIC PU 50 grey 310 ml	1			
101	12645	Adhesive LOCTITE 454	1			
102	6419	Glue Loctite 243	1			
106	E1 60-01 21	Front edge	1			

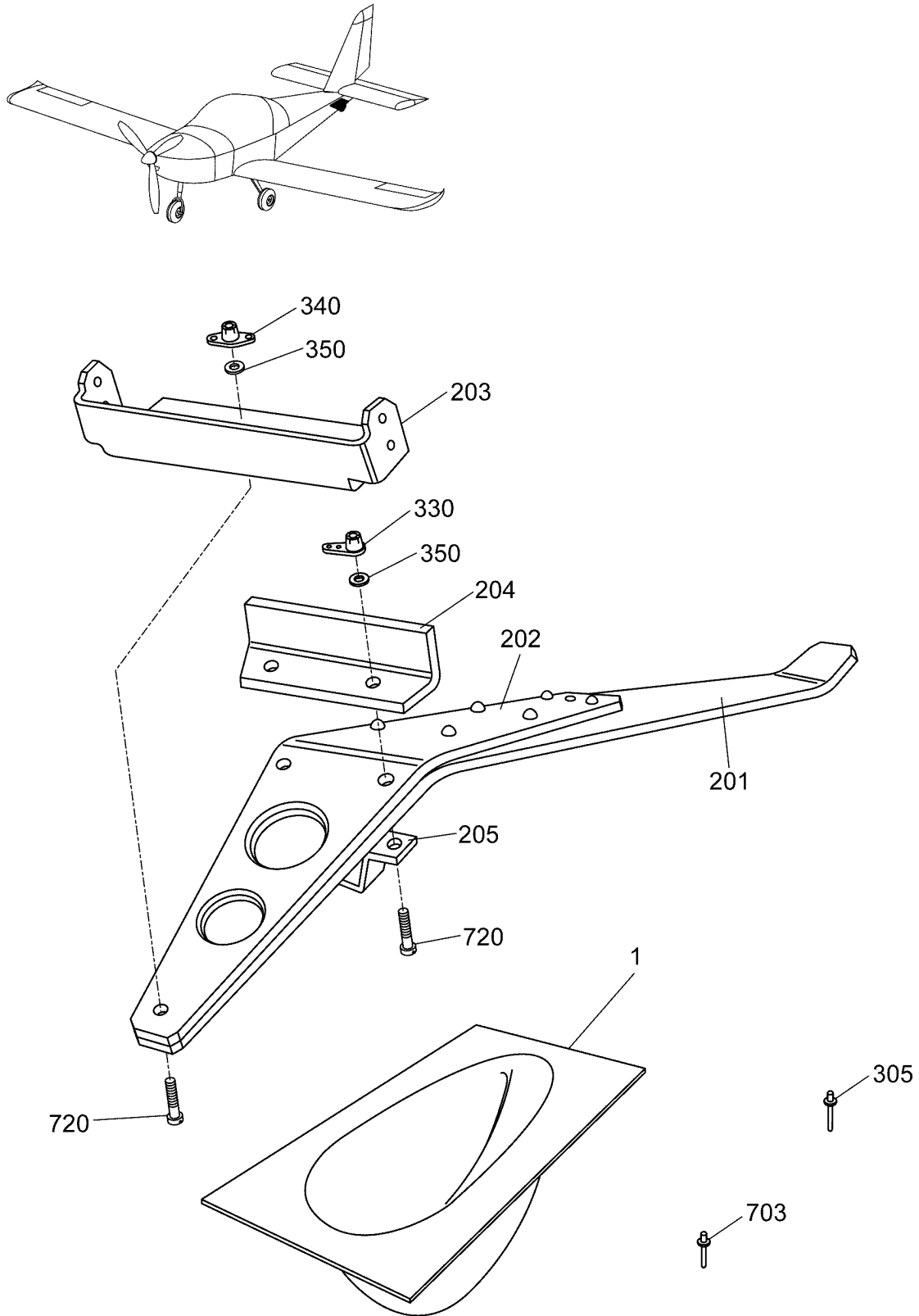
SportStar ^{MAX}		FUSELAGE			1.2PLUS
		Canopy lock			
Pos.	Order number	Designation	Qty.	Standard	Note
112	761521	Cover	1		
700	6472	Rivet 3.2x7.9	72	AVEX 1691-0410	
701	6796	Blind rivet 3.2x9.5	2	AVEX 1604-0412	
702	6793	Blind rivet 3.2x11.2	78	AVEX 1691-0414	
704	15236	Rivet 3.2x6.4	1	BE61-0408	

SportStar ^{MAX}	FUSELAGE	1.2SL
	Canopy lock	



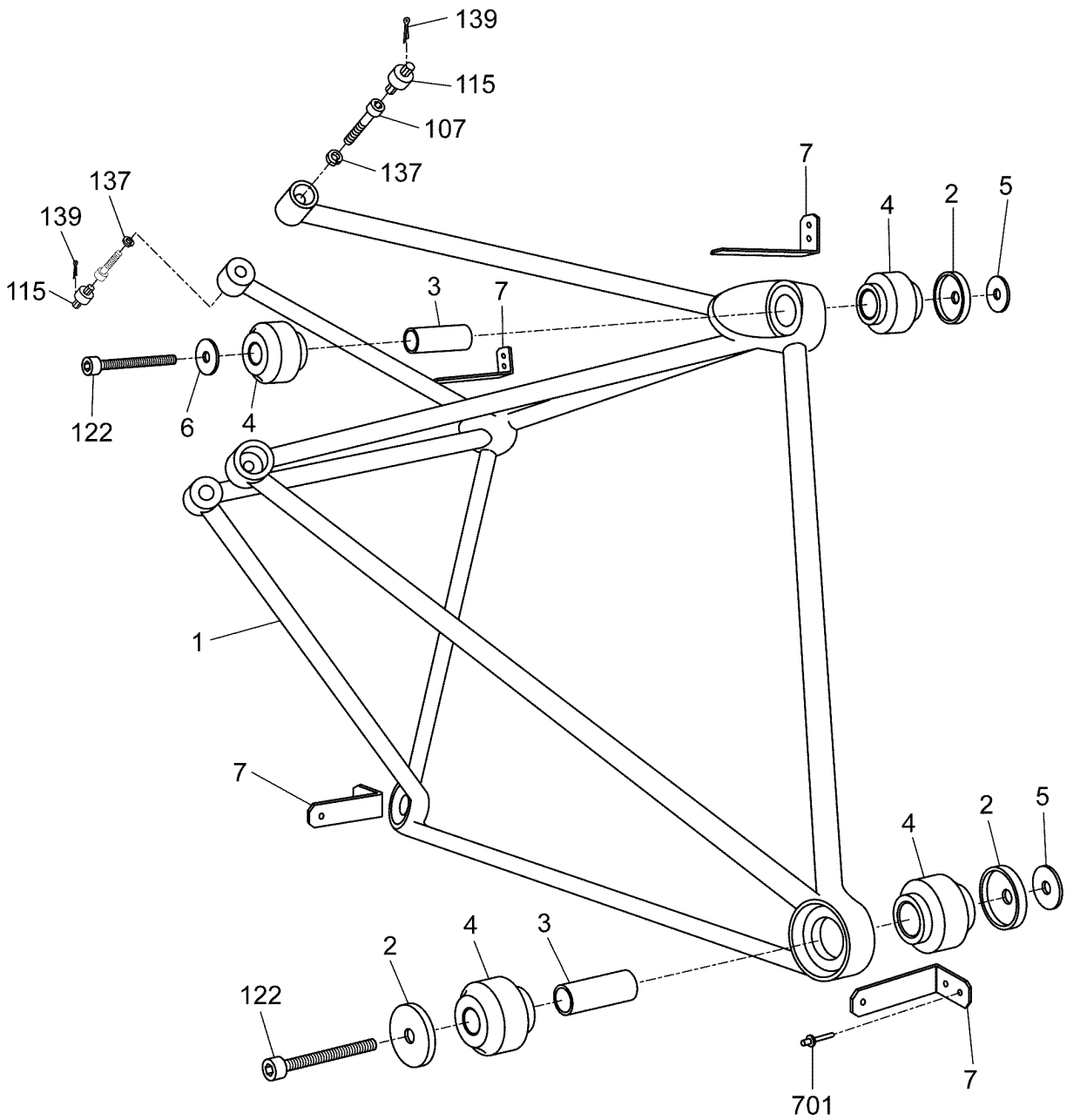
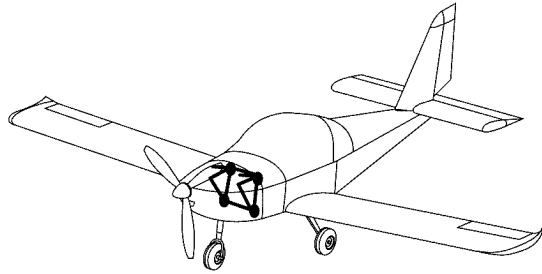
SportStar ^{AM}		FUSELAGE				1.2SL
		Canopy lock				
Pos.	Order number	Designation	Qty.	Standard	Note	
001	S1 65-68 01	Brown canopy	1			
005	S1 65-74 01	Lock set	1			
008	S1 55-75 21	Nut	1			
011	S1 65-04 21	Lock sheet	1			
012	S1 74-06 21	Spacer	2			
013	S1 65-01 21	Hinge nut	2			
014	S1 65-02 21	Fork	2			
015	S1 65-03 21	Lock pin	1			
016	S1 65-05 21	Holder pin	2			
017	S1 65-07 21	Lock lever	1			
018	761559	Rack	2			
019	E5 00-30 21	Bolt modified	2			
021	59791	Lamella lock FAB 1370/1	1			
022	59796	Gas strut	2			
023	59832	Bent plug handle	1			
025	11557	Bolt M 6x20	4	ISO 4017		
026	6815	Screw M 4x16	3	DIN 7991		
027	59835	Bolt M 5x30	2	ISO 2009		
028	S1 57-07 21	Guiding pin sheet L	1			
029	S1 57-07 22	Guiding pin sheet R	1			
030	7810	Nut M 8	3	DIN 980 V		
031	6822	Nut M 6	6	DIN 985		
033	52041	Nut M 6	2	ISO 4035		
034	61999	Nut M 4	3	OST 1 33260-89		
035	6813	Washer 6.4	4	DIN 125-8-A2F		
036	6814	Washer 8.4	2	DIN 125 A		
038	3157	Washer 6x1.5	4	ONL 3271		
040	3748	Ring 5	2	CSN 02 2929.03		
041	7002	Adjustable rod eye with swivel	2	SM 6		
701	6796	Blind rivet 3.2x9.5	20	AVEX 1604-0412		
702	6472	Rivet 3.2x7.9	4	AVEX 1691-0410		

SportStar ^{MAX}	FUSELAGE	1.3
	Rear part of fuselage	



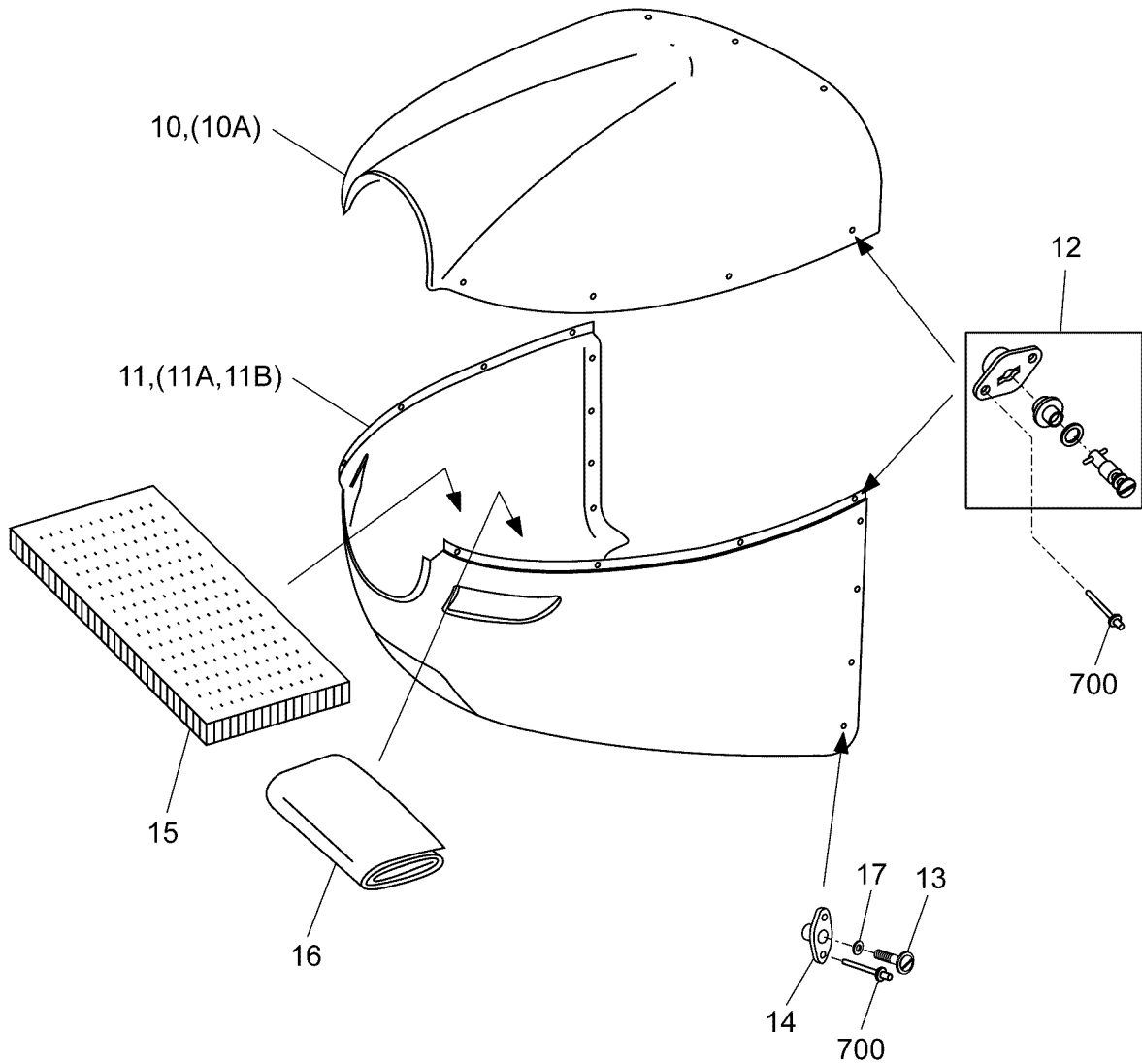
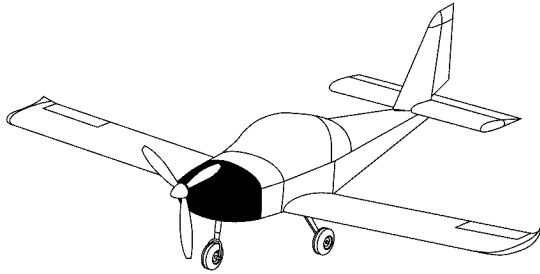
SportStar ^{AM}		FUSELAGE				1.3
Rear part of fuselage						
Pos.	Order number	Designation	Qty.	Standard	Note	
001	E1 01-10 01	Tail skid	1			
201	E1 01-34 21	Spur	1			
202	E1 01-35 21	Spur support	1			
203	E1 01-33 21	L-Shaped extrusion	1			
204	S1 01-36 21	Spur coupling	1			
205	S1 01-40 21	Anchoring eye	1			
305	6796	Blind rivet 3.2x9.5	8	AVEX 1604-0412		
330	7952	Nut M 5	2	ONL 3241		
340	3085	Nut M 5	1	ONL 3243		
350	44870	Washer 5.3	3	DIN 125-1		
703	6472	Rivet 3.2x7.9	30	AVEX 1691-0410		
720	1863	Screw M 5x20	3	CSN 02 1143.54		

SportStar ^{MAX}	FUSELAGE	1.4
	Engine bed	



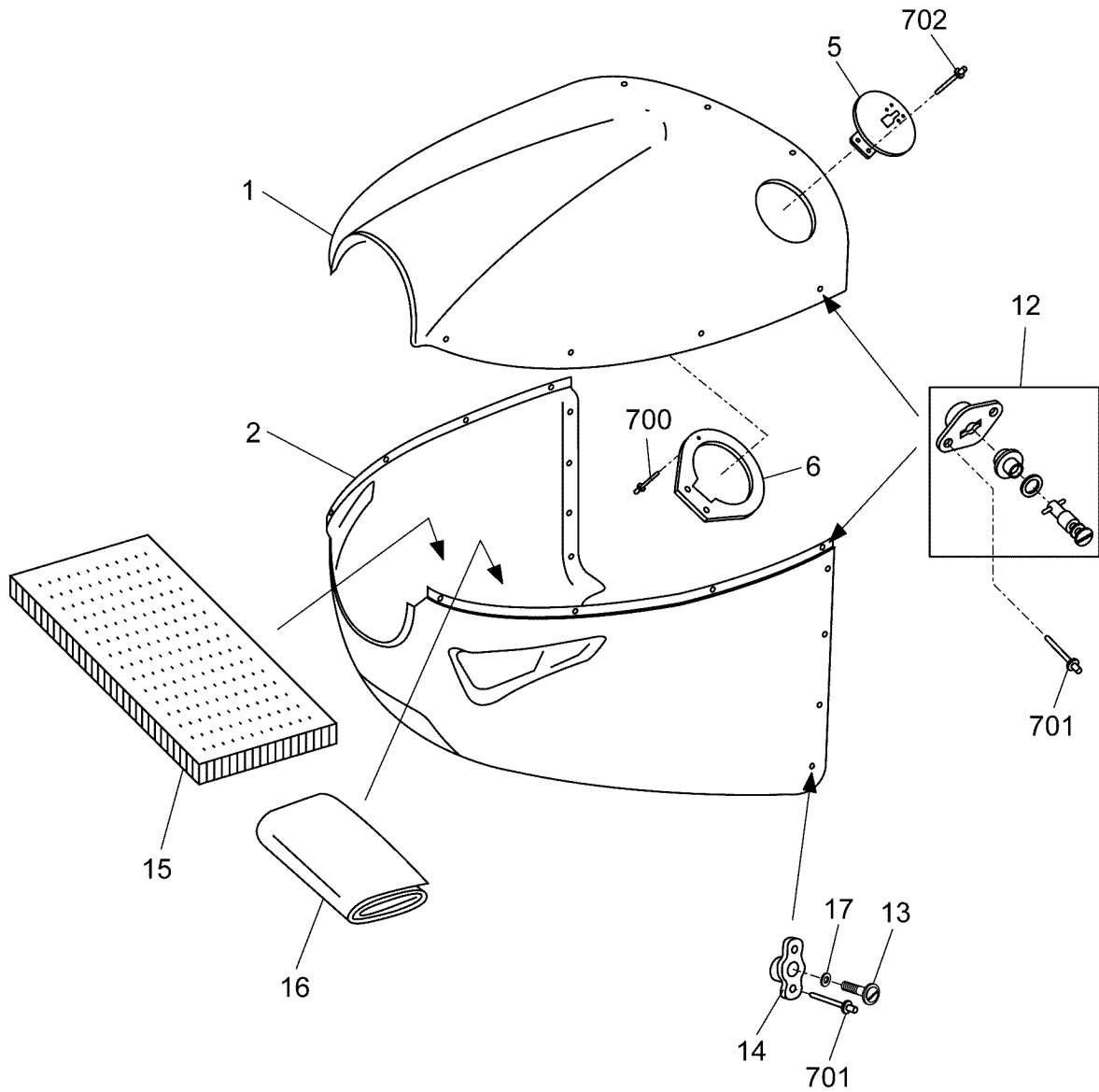
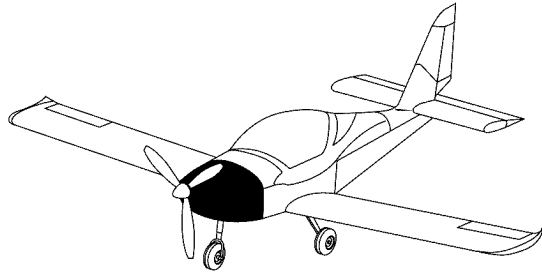
SportStar ^{AM}		FUSELAGE				1.4
		Engine bed				
Pos.	Order number	Designation	Qty.	Standard	Note	
001	E0 01-40 01	Engine bed	1			
002	766129	Silentblock retainer	6			
003	766134	Silentblock spacing tube	4			
004	768149	Silentblock	8			
005	766132	Washer	4			
006	E0 01-58 21	Washer	2			
007	E0 01-61 21	Bracket	4			
107	E6 02-20 21	Bolt	3			
115	SG6 04-03 21	Plug	4			
122	E6 10-50 21	Bolt	4			
137	7495	Washer 10.2	6	CSN 02 1740.05		
139	10896	Cotter pin	4	CSN 02 1781.05		
701	6472	Rivet 3.2x7.9	8	AVEX 1691-0410		

SportStar ^{MAX}	FUSELAGE	1.5PLUS
	Engine cowlings	



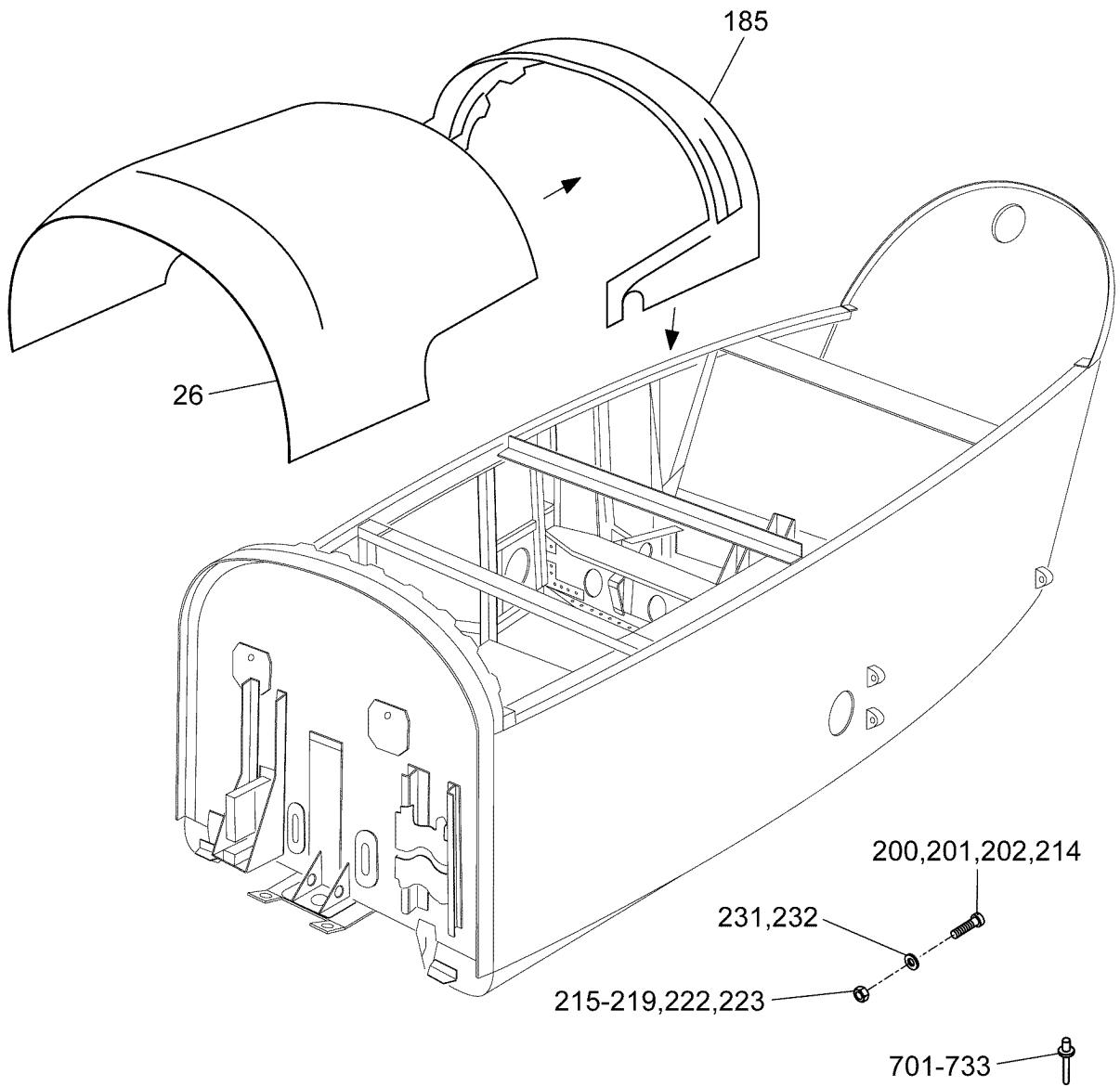
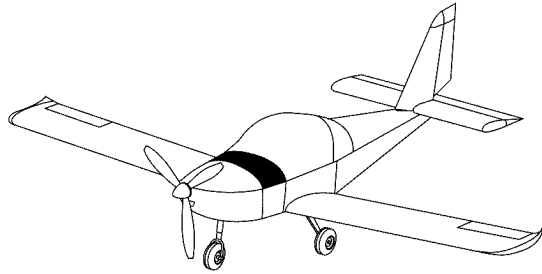
SportStar ^{MAX}		FUSELAGE				1.5PLUS
Engine cowlings						
Pos.	Order number	Designation	Qty.	Standard	Note	
010	E6 14-06 01	Upper cowling	1			
010A	E6 14-08 01	Upper cowling kevlar	1			
011	E6 14-07 01	Lower cowling with cut-out for the radiator	1			
011A	E6 14-09 01	Lower cowling with cut-out for the radiator kevlar	1			
011B	XXXXX	Lower cowling with landing lights	1			
012	8930	Camlock	11			
013	51655	Screw M 4x12	10	ECO-FIX		
014	3084	Nut M 4	10	ONL 3243		
015	10521	Mat Mikra 400x150	1			
016	6698	Leatherete black vinytol 2100x20	1			
017	56125	Washer 3.7	10	DIN 125		
700	6796	Blind rivet 3.2x9.5	42	AVEX 1604-0412		

SportStar ^{MAX}	FUSELAGE	1.5SL
	Engine cowlings	



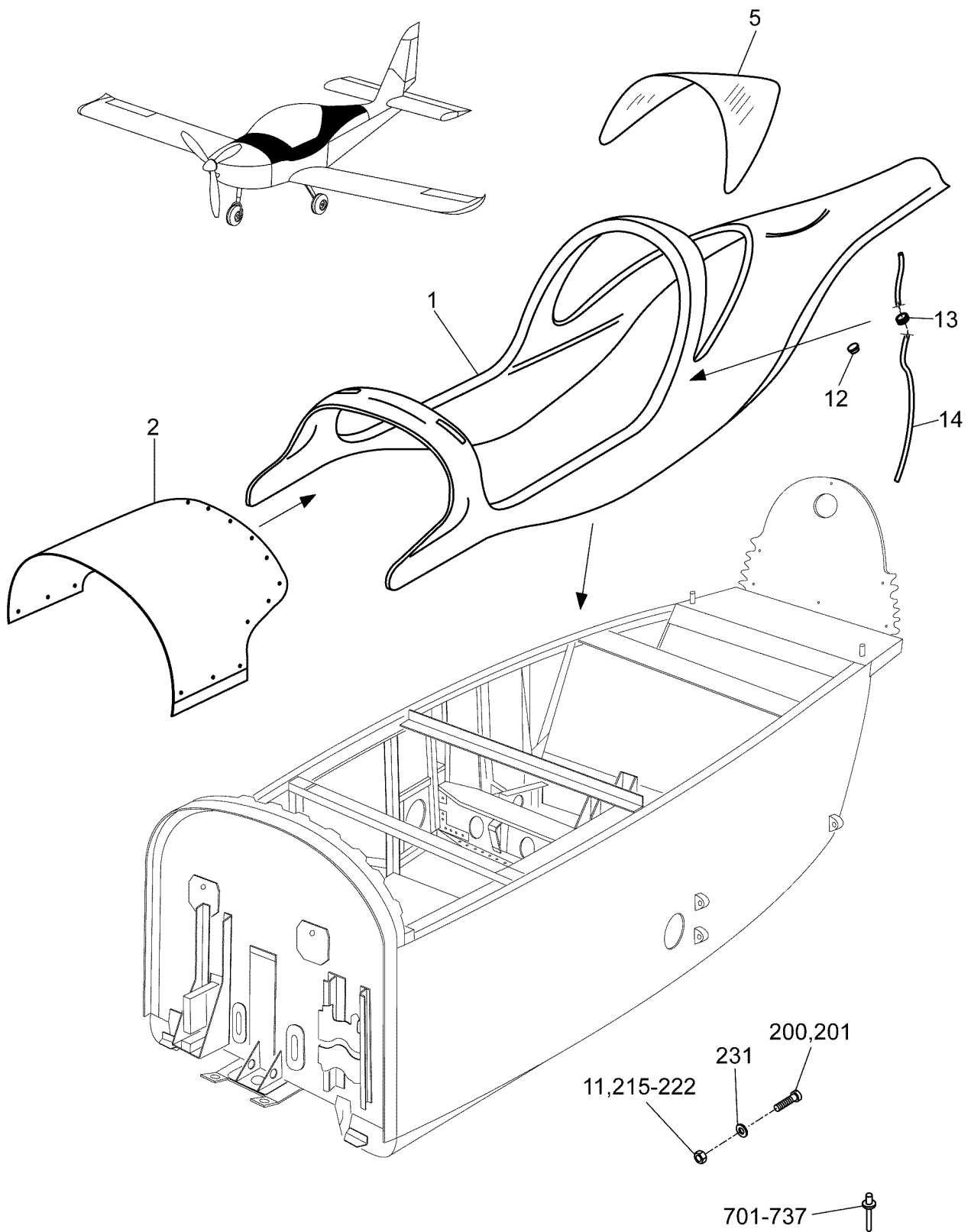
SportStar ^{MAX}		FUSELAGE				1.5SL
Engine cowlings						
Pos.	Order number	Designation	Qty.	Standard	Note	
001	S6 32-33 01	Upper engine cover	1			
002	S6 32-34 01	Lower engine cover assy	1			
005	3977	Mounting doors 110	1	LDN 3651.1		
006	3980	Frame 110	1	LDN 3650		
012	19004	Camlock	11			
013	51655	Screw M 4x12	10	ECO-FIX		
014	59251	Nut M 4	10	OST 1 33264-89		
015	10521	Mat Mikra 400x150	1			
016	6698	Leatherete black vinytol 2100x20	1			
017	56125	Washer 3.7	10	DIN 125		
700	6472	Rivet 3.2x7.9	11	AVEX 1691-0410		
701	6796	Blind rivet 3.2x9.5	42	AVEX 1604-0412		
702	8493	Blind rivet 4.0x9.5	2	AVEX 1691-0512		

SportStar ^{MAX}	FUSELAGE	1.6PLUS
	Fuselage-central section	



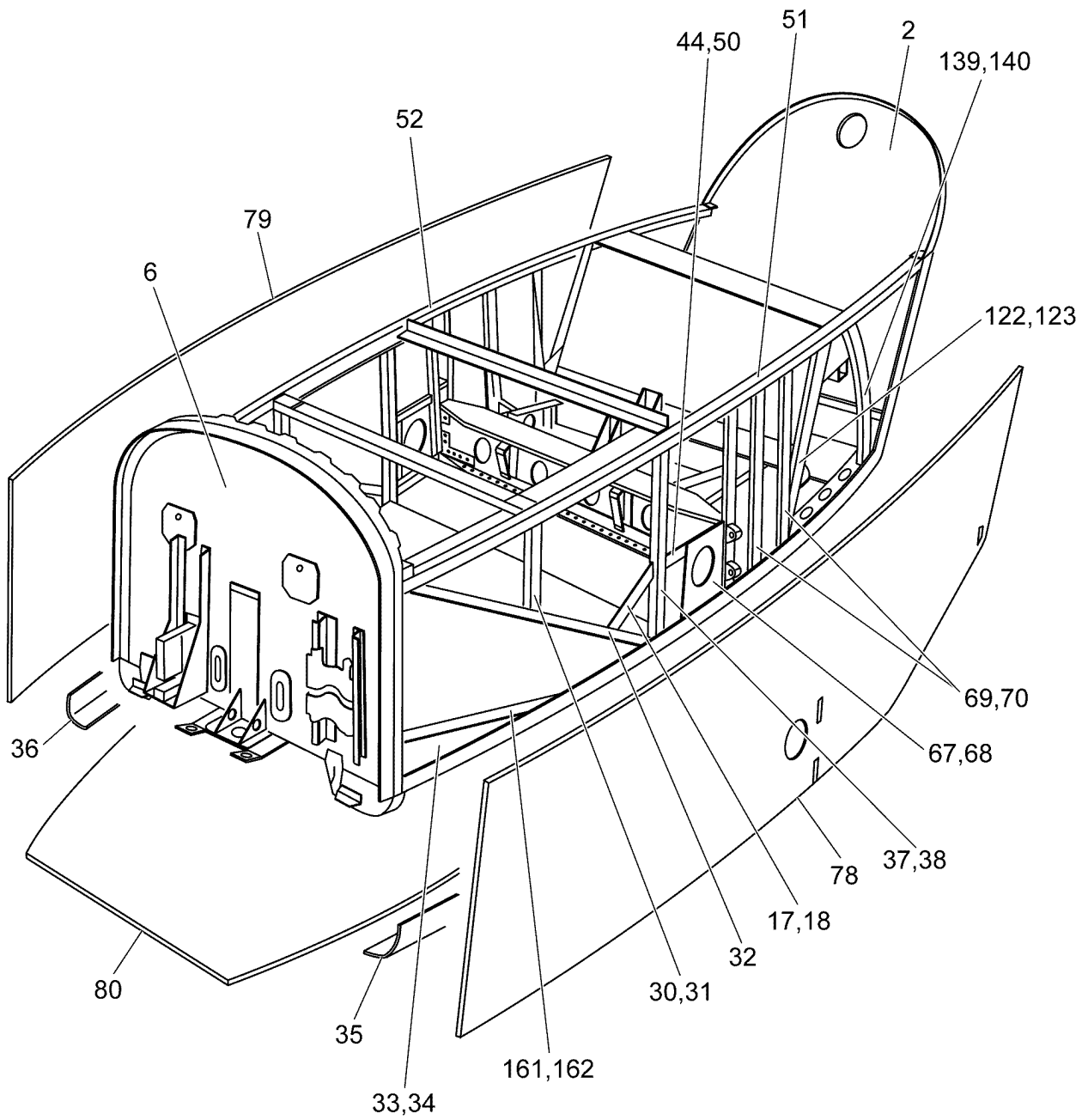
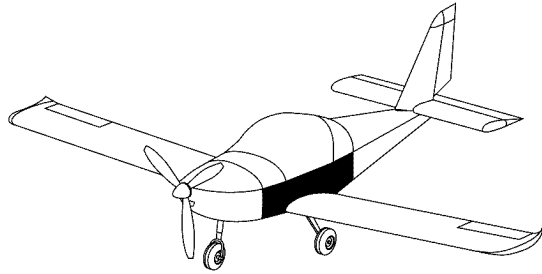
SportStar ^{AM}		FUSELAGE				1.6PLUS
Fuselage-central section						
Pos.	Order number	Designation	Qty.	Standard	Note	
026	E1 02-93 21	Front upper cover	1			
185	761540	Instrument panel frame	1			
200	51655	Screw M 4x12	10	ECO-FIX		
201	13545	Screw M 4x12	6	ISO 7045		
202	36496	Screw M 5x35	4	ISO 2009		
214	45430	Screw M 5x20	2	ISO 1207		
215	3084	Nut M 4	83	ONL 3243		
216	3083	Nut M 4	18	ONL 3241		
217	7819	Nut M 6	2	ONL 3241		
218	7494	Nut M 5	4	DIN 980 V		
219	3085	Nut M 5	6	ONL 3243		
222	7952	Nut M 5	4	ONL 3241		
223	6980	Nut M 4	2	9408-2415		
231	56125	Washer 3.7	10	DIN 125		
232	44870	Washer 5.3	4	DIN 125-1		
701	10207	Rivet 2.4x8	42	NAS1097 AD3-5		
702	10206	Rivet 2.4x6.4	132	NAS1097 AD3-4		
703	10208	Rivet 2.4x9.5	10	NAS1097 AD3-6		
709	10082	Rivet 3.2x7.9	71	MS20470AD4-5		
710	10322	Rivet 3.2x9.5	145	MS20470AD4-6		
711	10204	Rivet 3.2x17.5	3	MS20470AD4-11		
712	10200	Rivet 3.2x6.4	51	MS20470AD4-4		
713	10323	Rivet 3.2x11.1	25	MS20470AD4-7		
714	10211	Rivet 3.2x9.5	52	NAS1097 AD4-6		
715	10201	Rivet 3.2x7.1	106	MS20470AD4-4-5		
716	6472	Rivet 3.2x7.9	1528	AVEX 1691-0410		
717	10080	Rivet 3.2x12.7	8	MS20470AD4-8		
719	6793	Blind rivet 3.2x11.2	45	AVEX 1691-0414		
720	6796	Blind rivet 3.2x9.5	86	AVEX 1604-0412		
725	10094	Rivet 4.0x11.1	76	MS20470AD5-7		
726	10081	Rivet 4.0x7.9	10	MS20470AD5-5		
727	10093	Rivet 4.0x9.5	37	MS20470AD5-6		
728	10091	Rivet 4.0x12.7	50	MS20470AD5-8		
729	8493	Blind rivet 4.0x9.5	225	AVEX 1691-0512		
732	14044	Rivet 4.0x12.7	16	NAS1097 AD5-8		
733	6794	Blind rivet 4.0x12.7	24	AVEX 1691-0516		

SportStar ^{MAX}	FUSELAGE	1.6SL
	Fuselage-central section	



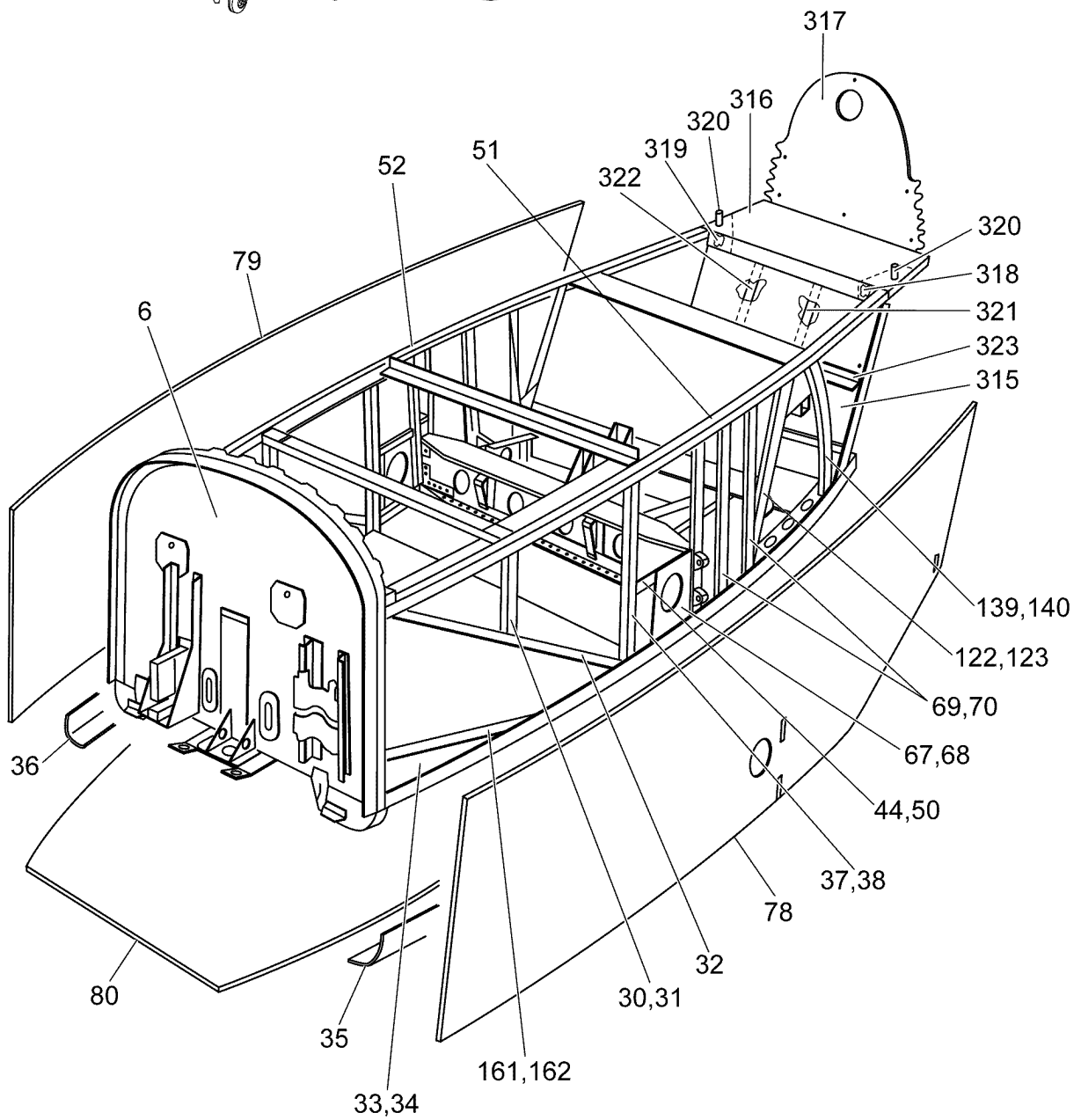
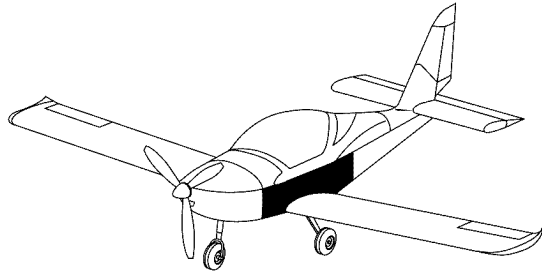
SportStar ^{AM}		FUSELAGE				1.6SL
Fuselage-central section						
Pos.	Order number	Designation	Qty.	Standard	Note	
001	S1 56-57 01	Fixed frame	1			
002	S1 60-01 21	Upper front sheet	1			
005	S1 57-02 21	Rear glass - brown	1			
011	6980	Nut M 4	2	9408-2415		
012	63512	Gland	1			
013	3785	Bushing 8x1	2	CSN 63 3881.3		
014	6945 (0.80m)	Hose Tubclair	1			
200	51655	Screw M 4x12	6	ECO-FIX		
201	13545	Screw M 4x12	6	ISO 7045		
215	59251	Nut M 4	81	OST 1 33264-89		
216	3083	Nut M 4	20	ONL 3241		
217	7819	Nut M 6	2	ONL 3241		
219	3085	Nut M 5	6	ONL 3243		
222	7952	Nut M 5	8	ONL 3241		
231	56125	Washer 3.7	6	DIN 125		
701	10207	Rivet 2.4x8	42	NAS1097 AD3-5		
702	10206	Rivet 2.4x6.4	132	NAS1097 AD3-4		
703	10208	Rivet 2.4x9.5	18	NAS1097 AD3-6		
709	10082	Rivet 3.2x7.9	71	MS20470AD4-5		
710	10322	Rivet 3.2x9.5	151	MS20470AD4-6		
711	10204	Rivet 3.2x17.5	3	MS20470AD4-11		
712	10200	Rivet 3.2x6.4	51	MS20470AD4-4		
713	10323	Rivet 3.2x11.1	25	MS20470AD4-7		
714	10211	Rivet 3.2x9.5	52	NAS1097 AD4-6		
715	10201	Rivet 3.2x7.1	106	MS20470AD4-4-5		
716	6472	Rivet 3.2x7.9	1975	AVEX 1691-0410		
717	10080	Rivet 3.2x12.7	8	MS20470AD4-8		
719	6793	Blind rivet 3.2x11.2	45	AVEX 1691-0414		
720	6796	Blind rivet 3.2x9.5	140	AVEX 1604-0412		
725	10094	Rivet 4.0x11.1	76	MS20470AD5-7		
726	10081	Rivet 4.0x7.9	10	MS20470AD5-5		
727	10093	Rivet 4.0x9.5	37	MS20470AD5-6		
728	10091	Rivet 4.0x12.7	50	MS20470AD5-8		
729	8493	Blind rivet 4.0x9.5	225	AVEX 1691-0512		
732	14044	Rivet 4.0x12.7	16	NAS1097 AD5-8		
733	6794	Blind rivet 4.0x12.7	24	AVEX 1691-0516		
735	45037	Rivet 4x7.5	13	BN01-00509		
736	15236	Rivet 3.2x6.4	25	BE61-0408		
737	16106	Rivet 3.2x9.5	6	AVEX 1624-0411		

SportStar ^{MAX}	FUSELAGE	1.6.1PLUS
	Fuselage-central section, skins, parts	



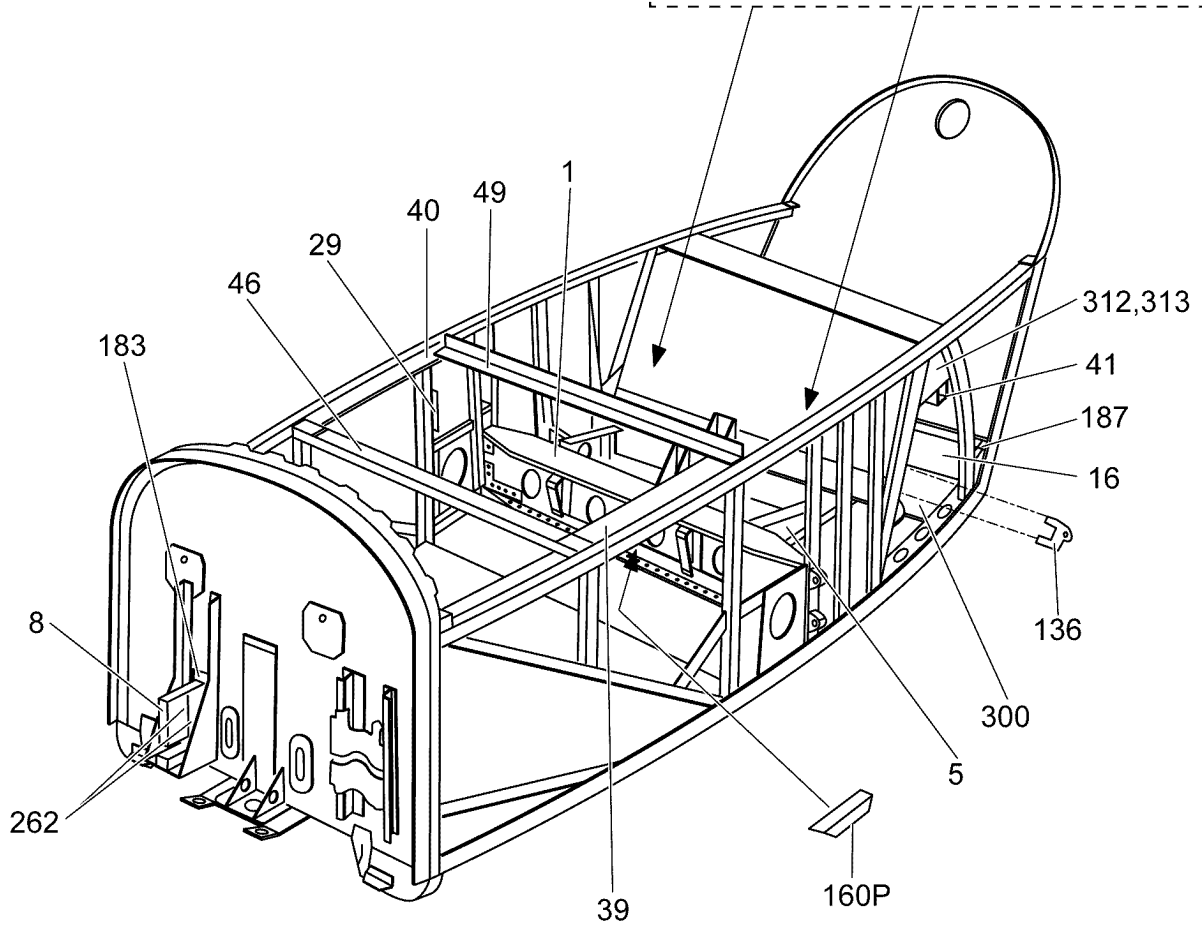
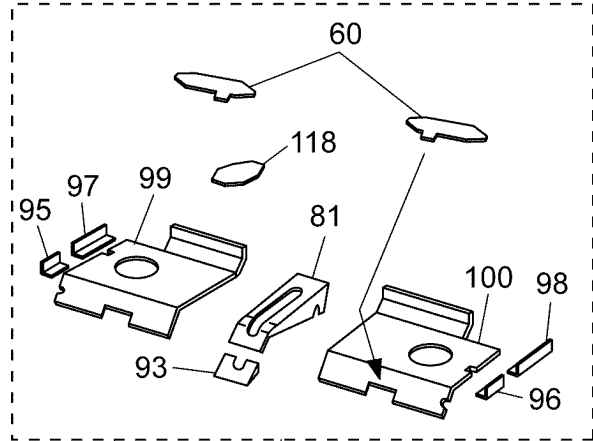
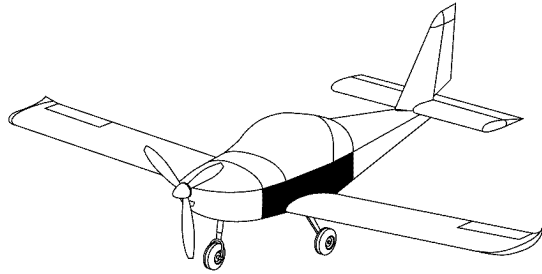
SportStar ^{AM}		FUSELAGE				1.6.1PLUS
		Fuselage-central section, skins, parts				
Pos.	Order number	Designation	Qty.	Standard	Note	
002	S1 80-20 01	Skew bulkhead	1			
006	S1 75-78 01	Fire bulkhead	1			
017	761155	Spar hinge L	1			
018	761156	Spar hinge R	1			
030	E1 02-18 21	Stiffener	1			
031	E1 02-18 22	Stiffener	1			
032	E1 02-17 21	Stiffener	2			
033	761267	Rib L	1			
034	761268	Rib R	1			
035	761276	Skin L	1			
036	761275	Skin R	1			
037	E1 02-16 21	Stiffener	1			
038	E1 02-16 22	Stiffener	1			
044	S1 02-11 21	Stiffener L	1			
050	S1 02-11 22	Stiffener R	1			
051	E1 50-04 21	Longeron	1			
052	E1 50-04 22	Longeron	1			
067	E1 02-11 21	Stiffener	1			
068	E1 02-11 22	Stiffener	1			
069	SG1 02-45 21	Crossbeam	2			
070	SG1 02-45 22	Crossbeam	2			
078	SG1 02-84 21	Left side skin	1			
079	S1 80-22 21	Right side skin	1			
080	SG1 02-87 21	Lower skin	1			
122	E1 50-21 21	Inclined stiffener	1			
123	E1 50-21 22	Inclined stiffener	1			
139	E1 02-28 21	Rear spacer	1			
140	E1 02-28 22	Rear spacer	1			
161	E1 02-75 21	Front stiffener	1			
162	E1 02-75 22	Front stiffener	1			

SportStar ^{MAX}	FUSELAGE	1.6.1SL
	Fuselage-central section, skins, parts	



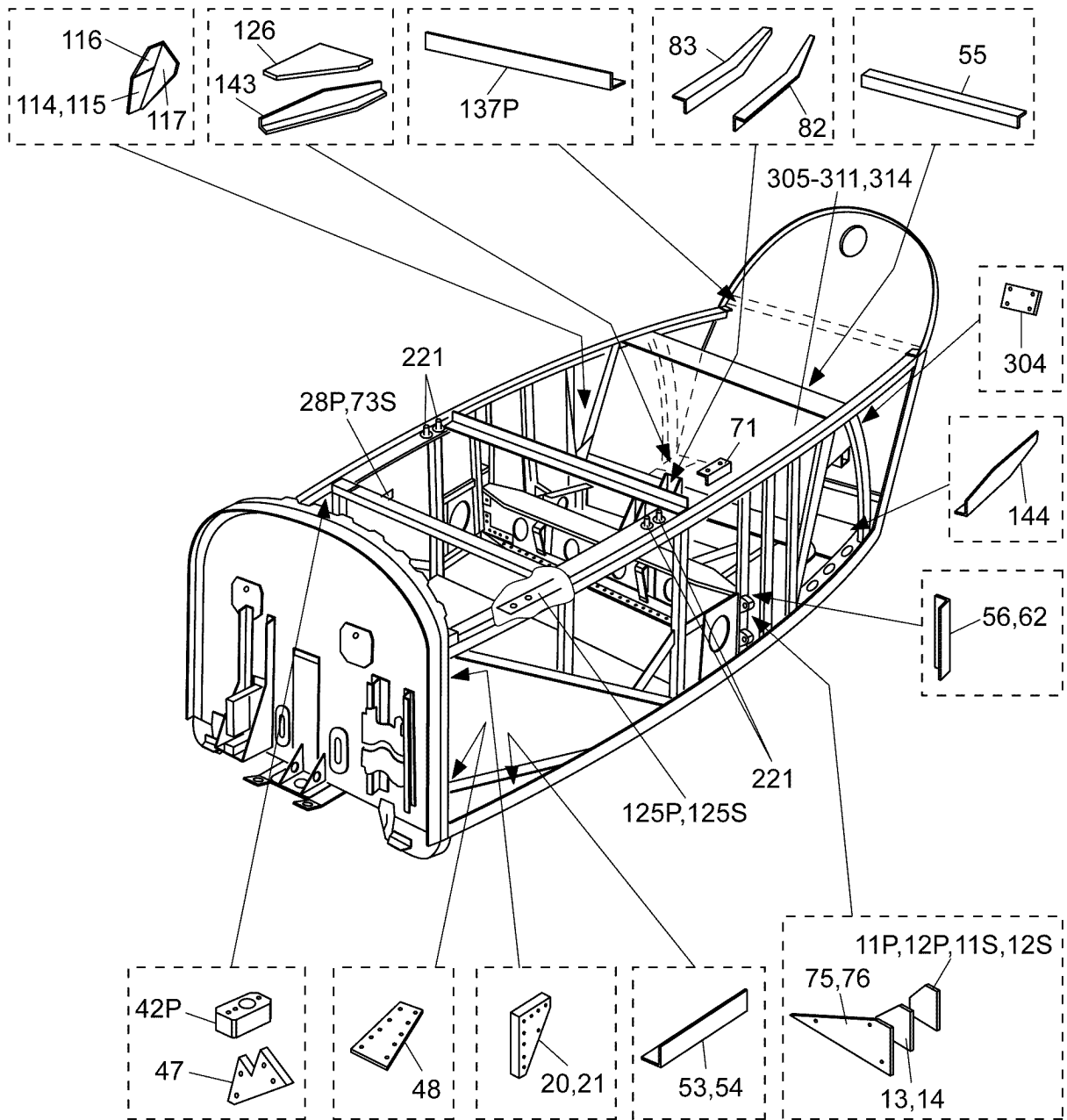
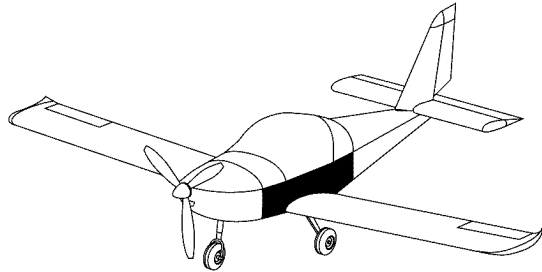
SportStar ^{AM}		FUSELAGE				1.6.1SL
		Fuselage-central section, skins, parts				
Pos.	Order number	Designation	Qty.	Standard	Note	
006	S1 20-00 01	Fire wall	1			
030	E1 02-18 21	Stiffener	1			
031	E1 02-18 22	Stiffener	1			
032	E1 02-17 21	Stiffener	2			
033	761267	Rib L	1			
034	761268	Rib R	1			
035	761276	Skin L	1			
036	761275	Skin R	1			
037	E1 02-16 21	Stiffener	1			
038	E1 02-16 22	Stiffener	1			
044	S1 02-11 21	Stiffener L	1			
050	S1 02-11 22	Stiffener R	1			
051	S1 25-06 21	Stringer L	1			
052	S1 25-06 22	Stringer R	1			
067	E1 02-11 21	Stiffener	1			
068	E1 02-11 22	Stiffener	1			
069	SG1 02-45 21	Crossbeam	2			
070	SG1 02-45 22	Crossbeam	2			
078	SG1 02-84 21	Left side skin	1			
079	S1 80-22 21	Right side skin	1			
080	SG1 02-87 21	Lower skin	1			
122	E1 50-21 21	Inclined stiffener	1			
123	E1 50-21 22	Inclined stiffener	1			
139	E1 02-28 21	Rear spacer	1			
140	E1 02-28 22	Rear spacer	1			
161	E1 02-75 21	Front stiffener	1			
162	E1 02-75 22	Front stiffener	1			
315	S1 25-01 21	Lower diaphragm	1			
316	S1 25-02 21	Horizontal frame	1			
317	S1 25-03 21	Upper diaphragm	1			
318	S1 25-04 21	Reinforcement L	1			
319	S1 25-04 22	Reinforcement R	1			
320	S1 25-05 21	Belt pin	2			
321	E1 53-04 21	Stiffener	2			
322	E1 53-04 22	Stiffener	2			
323	S1 80-04 21	Stay	1			

SportStar ^{MAX}	FUSELAGE	1.6.2
	Fuselage-central section, parts	



SportStar ^{AM}		FUSELAGE				1.6.2
Fuselage-central section, parts						
Pos.	Order number	Designation	Qty.	Standard	Note	
001	S1 02-03 01	Centre section	1			
005	S1 00-05 01	Landing gear beam	1			
008	E1 02-13 01	Battery holder	1			
016	S1 80-21 01	Cover assy	1			
029	E6 03-02 21	Bowden holder	1			
039	761313	Left joint	1			
040	761314	Right joint	1			
041	S1 80-02 21	Seat crosspiece	1			
046	761319	Spar under tank	1			
049	761315	Instrument board spar	1			
060	SG1 02-73 21	Stop	2			
081	E1 02-04 21	Cover	1			
093	E1 02-05 21	Cover	1			
095	E1 02-97 21	Short stiffener	1			
096	E1 02-97 22	Short stiffener	1			
097	E1 02-15 21	Stiffener	1			
098	E1 02-15 22	Stiffener	1			
099	SG1 02-38 21	Seat	1			
100	SG1 02-38 22	Seat	1			
118	SG1 02-46 21	Upper strap	2			
136	E1 50-01 21	Fitting	2			
160P	SG1 02-82 21	Stiffener	2			
183	E1 50-30 21	Spar	1			
187	S1 80-24 21	Profile	1			
262	1946	Rubber	2			
300	S1 80-03 21	Front bottom	1			
312	S1 80-14 21	LH rib	2			
313	S1 80-14 22	RH rib	2			

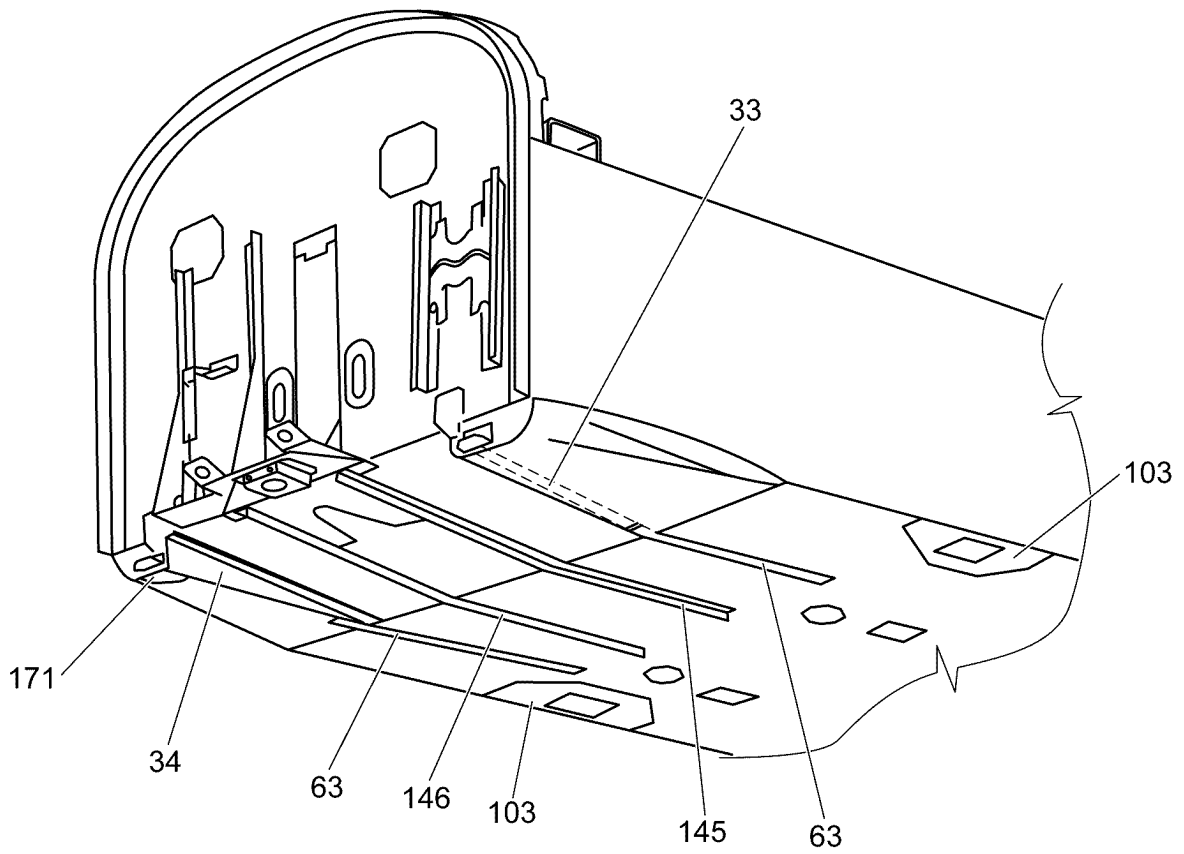
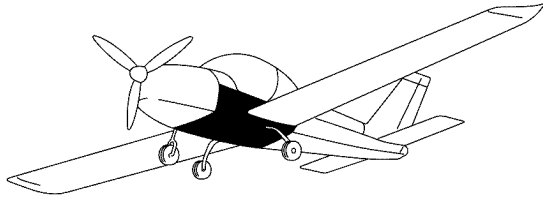
SportStar ^{MAX}	FUSELAGE	1.6.3
	Fuselage-central section, parts	



SportStar ^{AM}		FUSELAGE				1.6.3
Fuselage-central section, parts						
Pos.	Order number	Designation	Qty.	Standard	Note	
011P	SG1 02-91 01	Completed bush	1			
011S	S5 00-25 01	Bush assy	1			
012P	SG1 02-91 02	Completed bush	1			
012S	S5 00-25 02	Bush assy	1			
013	S5 00-24 01	Completed bush	1			
014	S5 00-24 02	Completed bush	1			
020	E1 45-20 01	Reinforcing bracket L	1			
021	E1 45-20 02	Reinforcing bracket R	1			
028P	E6 03-06 21	Bridging	1			
042P	761189	Box-angle plate L	2			
047	761316	Joint	2			
048	SG1 02-66 21	Joint	2			
053	E1 50-40 21	Support L	1			
054	E1 50-40 22	Support R	1			
055	E1 50-23 21	Support stiffener	1			
056	SG1 50-13 21	Stiffener	1			
062	SG1 50-13 22	Stiffener	1			
071	E1 02-41 21	Bracket	2			
073S	E6 03-06 21	Bridging	1			
075	E1 50-31 21	Corner bracing L	1			
076	E1 50-31 22	Corner bracing R	1			
082	SG1 02-48 21	Short spar	1			
083	SG1 02-48 22	Short spar	1			
114	SG1 02-37 21	Insert	1			
115	SG1 02-37 22	Insert	1			
116	SG1 02-25 21	Reinforcment	2			
117	E1 02-08 21	Desk	2			
125P	E1 02-22 21	Central washer	2			
125S	E1 01-99 21	Outer washer	2			
126	E1 50-16 21	Side coupling	2			
137P	E1 50-02 21	Crossbeam	1			
143	E1 50-06 21	Reinforcment exterior	1			
144	E1 50-06 22	Reinforcment exterior	1			
221	3635	Ground point complete	4			
304	S1 80-08 21	Connecting piece	2			
305	S1 80-09 21	LH angle	2			
306	S1 80-09 22	RH angle	2			
307	S1 80-11 21	LH angle	1			
308	S1 80-11 22	RH angle	1			

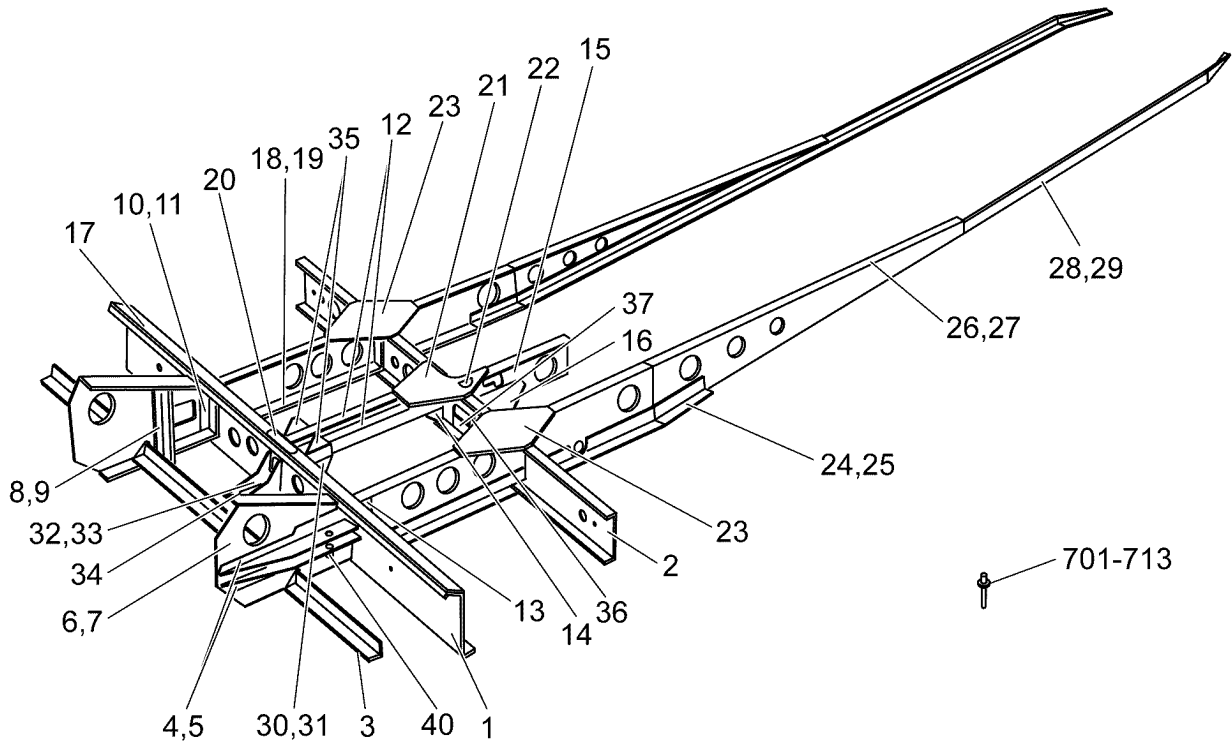
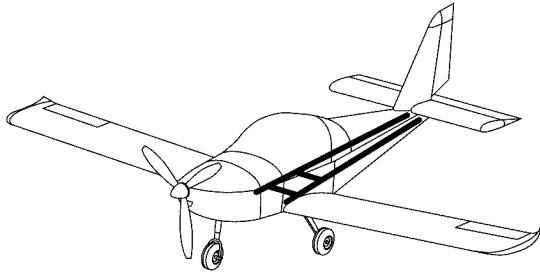
SportStar ^{MAX}	FUSELAGE					1.6.3
	Fuselage-central section, parts					
Pos.	Order number	Designation	Qty.	Standard	Note	
309	S1 80-12 21	LH angle	1			
310	S1 80-12 22	RH angle	1			
311	S1 80-13 21	Angle	4			
314	S1 80-15 21	Backrest	1			

SportStar^{MAX}	FUSELAGE	1.6.4
	Fuselage-central section, parts	



SportStar ^{AM}		FUSELAGE			1.6.4
Fuselage-central section, parts					
Pos.	Order number	Designation	Qty.	Standard	Note
033	761267	Rib L	1		
034	761268	Rib R	1		
063	SG1 50-11 21	Stiffener	2		
103	SG1 50-02 21	Frame	2		
145	E1 02-29 21	Lower spar	1		
146	E1 02-29 22	Lower spar	1		
171	SG1 50-25 21	Front stiffener	1		

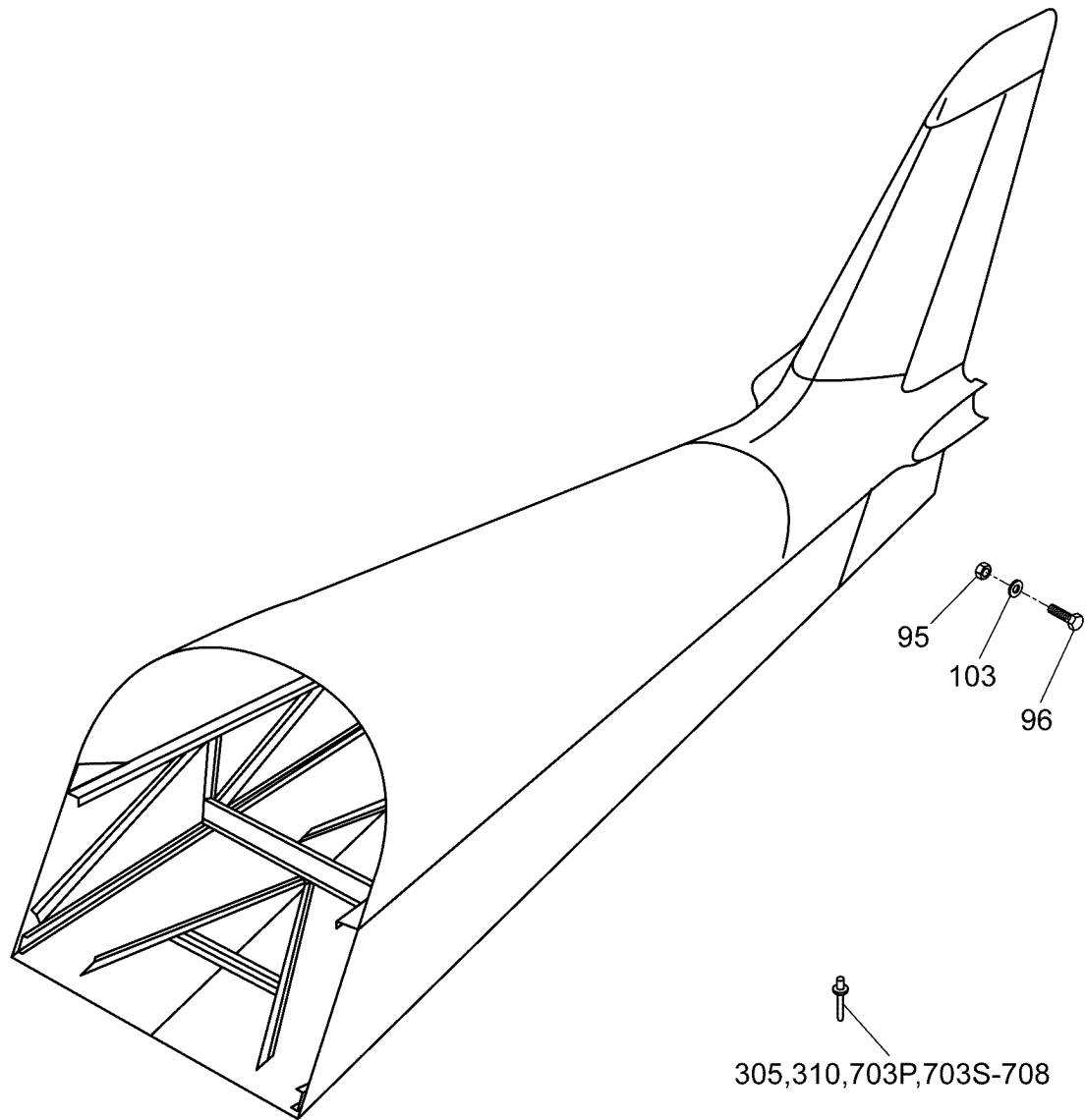
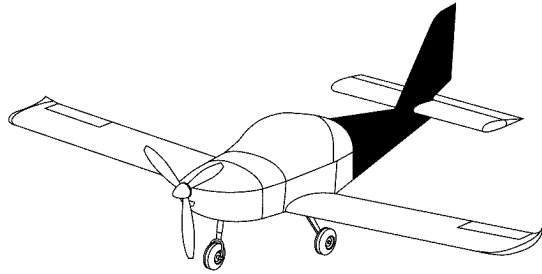
SportStar ^{MAX}	FUSELAGE	1.6.5
	Landing gear beam	



SportStar ^{AM}		FUSELAGE				1.6.5
		Landing gear beam				
Pos.	Order number	Designation	Qty.	Standard	Note	
001	S1 18-01 21	Spar	1			
002	S1 50-22 21	Spar	1			
003	SG1 02-31 21	Long spacer	1			
004	SG1 18-03 21	Leg strut	2			
005	SG1 18-03 22	Leg strut	2			
006	SG1 18-02 21	Front rack	1			
007	SG1 18-02 22	Front rack	1			
008	SG1 18-05 21	Front crossbeam	1			
009	SG1 18-05 22	Front crossbeam	1			
010	SG1 18-04 21	Large spacer	1			
011	SG1 18-04 22	Large spacer	1			
012	E1 02-65 21	Longeron	2			
013	SG1 18-07 21	Spacer	2			
014	SG1 02-21 21	Support	1			
015	SG1 10-04 21	Rack	1			
016	SG1 10-03 21	Triangle	1			
017	SG1 18-06 21	Shim	1			
018	S1 80-16 21	Rear rack	1			
019	S1 80-16 22	Rear rack	1			
020	E1 57-03 21	Strip	1			
021	SG1 10-02 21	Coupling	1			
022	SG1 10-01 21	Bush	2			
023	S1 00-05 21	Coupling	2			
024	SG1 50-29 21	Rear profile	1			
025	SG1 50-29 22	Rear profile	1			
026	S1 00-01 21	Spar	1			
027	S1 00-01 22	Spar	1			
028	SG1 00-03 21	Profile	1			
029	SG1 00-03 22	Profile	1			
030	SG1 02-50 21	Support	1			
031	SG1 02-50 22	Support	1			
032	SG1 02-47 21	Bracket	1			
033	SG1 02-47 22	Bracket	1			
034	E1 02-12 21	Clutch	1			
035	SG1 02-41 21	Bracket	2			
036	SG1 02-24 21	Spar profile	1			
037	SG1 02-23 21	Shim	1			
040	7078	Nut M 8	2	ONL 3243		
701	10322	Rivet 3.2x9.5	41	MS20470AD4-6		

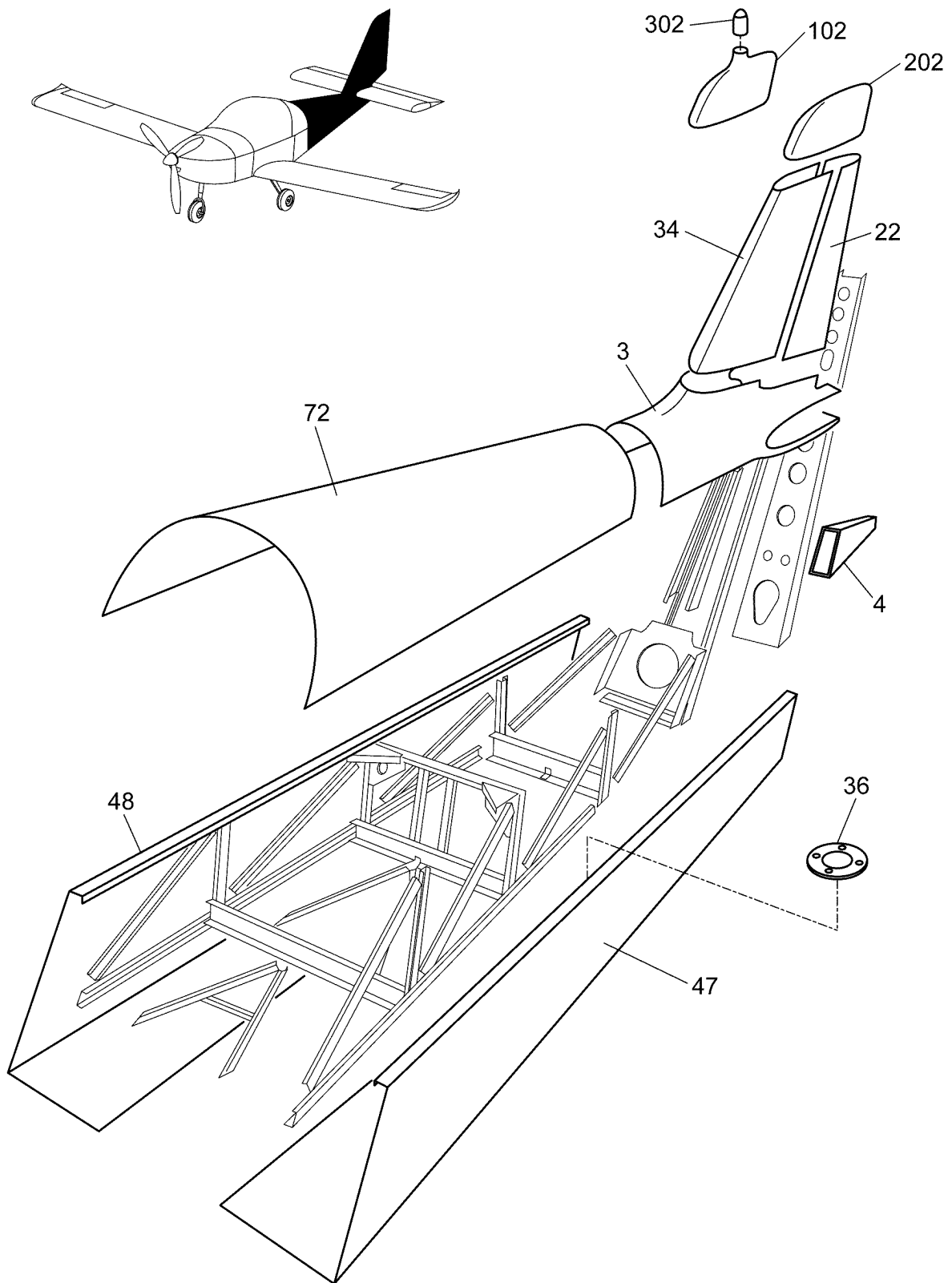
SportStar ^{AVIA}		FUSELAGE				1.6.5
Landing gear beam						
Pos.	Order number	Designation	Qty.	Standard	Note	
702	6472	Rivet 3.2x7.9	30	AVEX 1691-0410		
703	10082	Rivet 3.2x7.9	13	MS20470AD4-5		
704	10323	Rivet 3.2x11.1	30	MS20470AD4-7		
705	10210	Rivet 3.2x7.9	10	NAS1097 AD4-5		
706	10091	Rivet 4.0x12.7	8	MS20470AD5-8		
707	10092	Rivet 4.0x14.3	8	MS20470AD5-9		
708	10094	Rivet 4.0x11.1	32	MS20470AD5-7		
709	10211	Rivet 3.2x9.5	4	NAS1097 AD4-6		
710	10093	Rivet 4.0x9.5	3	MS20470AD5-6		
711	10200	Rivet 3.2x6.4	13	MS20470AD4-4		
712	6793	Blind rivet 3.2x11.2	3	AVEX 1691-0414		
713	6796	Blind rivet 3.2x9.5	4	AVEX 1604-0412		

SportStar^{MAX}	FUSELAGE	1.7
	Fuselage-rear section	



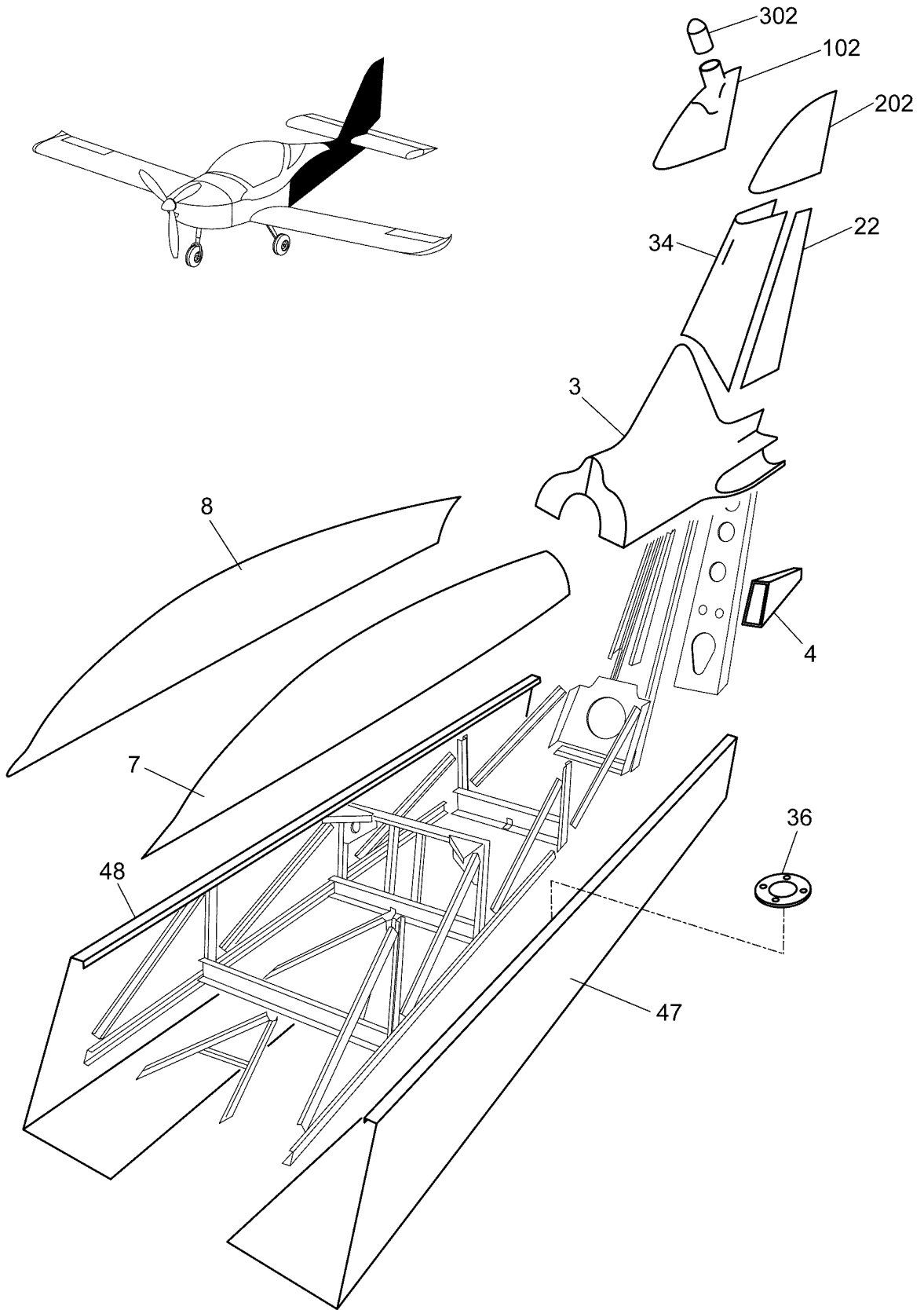
SportStar ^{AM}		FUSELAGE				1.7
Fuselage-rear section						
Pos.	Order number	Designation	Qty.	Standard	Note	
095	6980	Nut M 4	4	9408-2415		
096	51656	Screw M 4x16	4	ECO-FIX		
103	56125	Washer 3.7	4	DIN 125		
305	6796	Blind rivet 3.2x9.5	8	AVEX 1604-0412		
310	3258	Rivet 3.5x10	7	CSN 02 2302.5		
703P	6472	Rivet 3.2x7.9	1196	AVEX 1691-0410		
703S	6472	Rivet 3.2x7.9	1190	AVEX 1691-0410		
704	10206	Rivet 2.4x6.4	4	NAS1097 AD3-4		
705	10953	Rivet 4.0x11.1	41	NAS1097 AD5-7		
706	10082	Rivet 3.2x7.9	8	MS20470AD4-5		
708	8493	Blind rivet 4.0x9.5	6	AVEX 1691-0512		

SportStar ^{MAX}	FUSELAGE	1.7.1PLUS
	Fuselage-rear section, skins, parts	



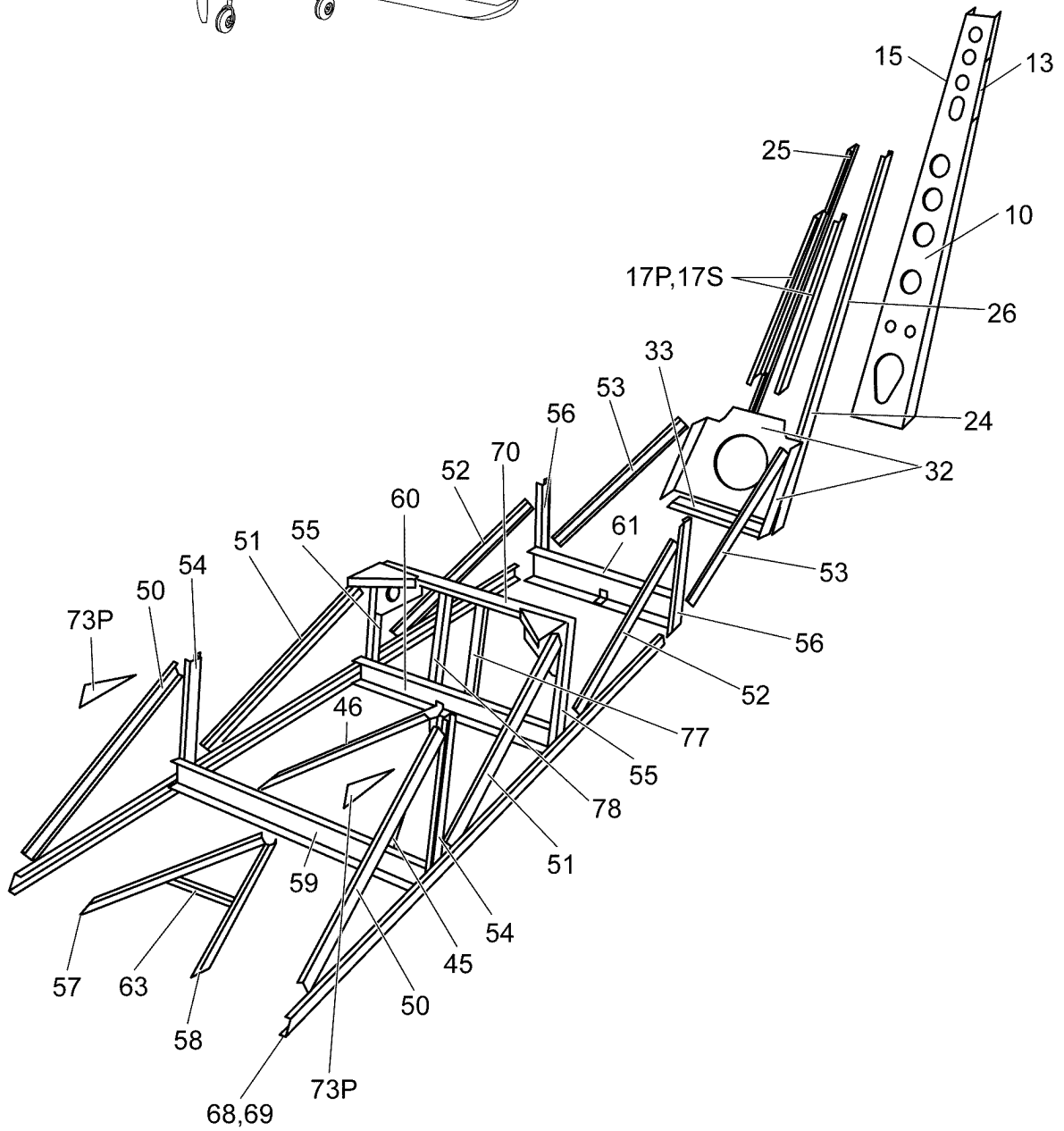
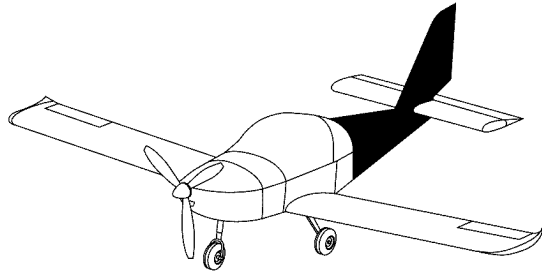
SportStar ^{AM}		FUSELAGE			1.7.1PLUS
Fuselage-rear section, skins, parts					
Pos.	Order number	Designation	Qty.	Standard	Note
003	E1 01-05 01	Tail unit fillet	1		
004	E1 01-09 01	Fuselage rear part tip	1		
022	E1 01-18 21	Rear fin skin	1		
034	E1 01-30 21	Fin front skin	1		
036	E2 50-60 01	Cap assembly	1		
047	SG1 01-43 21	Fuselage left skin	1		
048	SG1 01-44 21	Fuselage right skin	1		
072	E1 51-03 21	Fuselage rear part upper skin	1		
102	E1 01-08 01	Fin tip EZA	1		
202	E1 01-04 01	Fin tip	1		
302	8816	Whelen A450 strobe light	1		

SportStar ^{MAX}	FUSELAGE	1.7.1SL
	Fuselage-rear section, skins, parts	



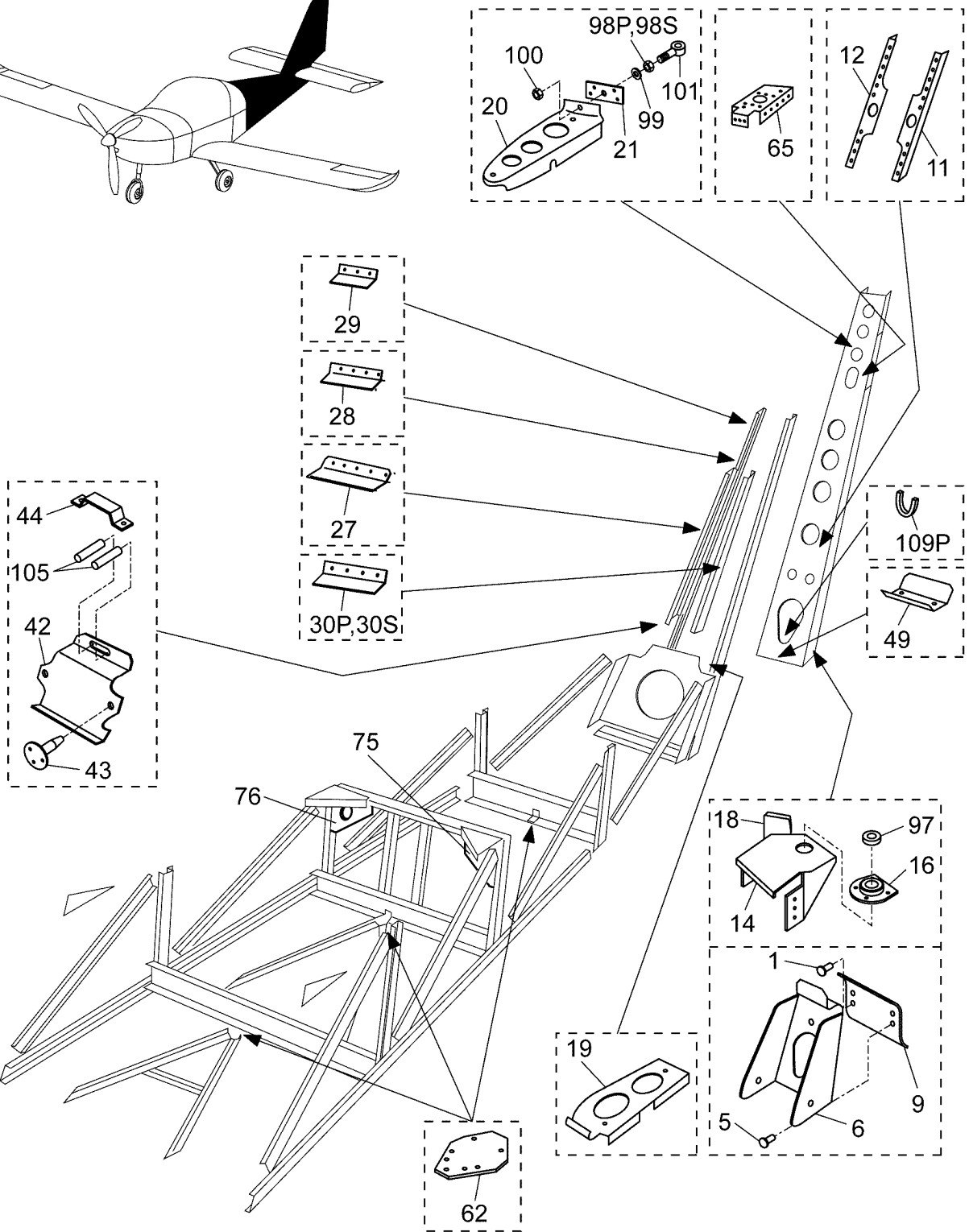
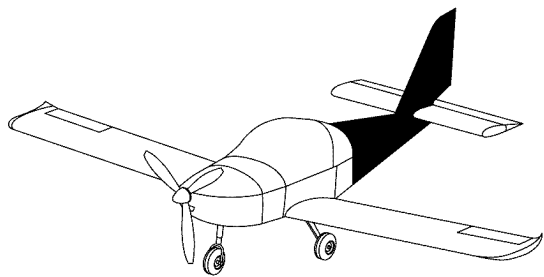
SportStar ^{AM}	FUSELAGE				1.7.1SL
	Fuselage-rear section, skins, parts				
Pos.	Order number	Designation	Qty.	Standard	Note
003	S1 55-71 01	Rear fairing	1		
004	E1 01-09 01	Fuselage rear part tip	1		
007	S1 60-02 21	Upper sheet L	1		
008	S1 60-02 22	Upper sheet R	1		
022	E1 01-18 21	Rear fin skin	1		
034	E1 01-30 21	Fin front skin	1		
036	E2 50-60 01	Cap assembly	1		
047	SG1 01-43 21	Fuselage left skin	1		
048	SG1 01-44 21	Fuselage right skin	1		
102	S1 55-74 01	Fin tip arch - beacon	1		
202	S1 55-72 01	Fin tip arch	1		
302	E7 90-01 01	Beacon light	1		

SportStar ^{MAX}	FUSELAGE	1.7.2
	Fuselage-rear section, parts	



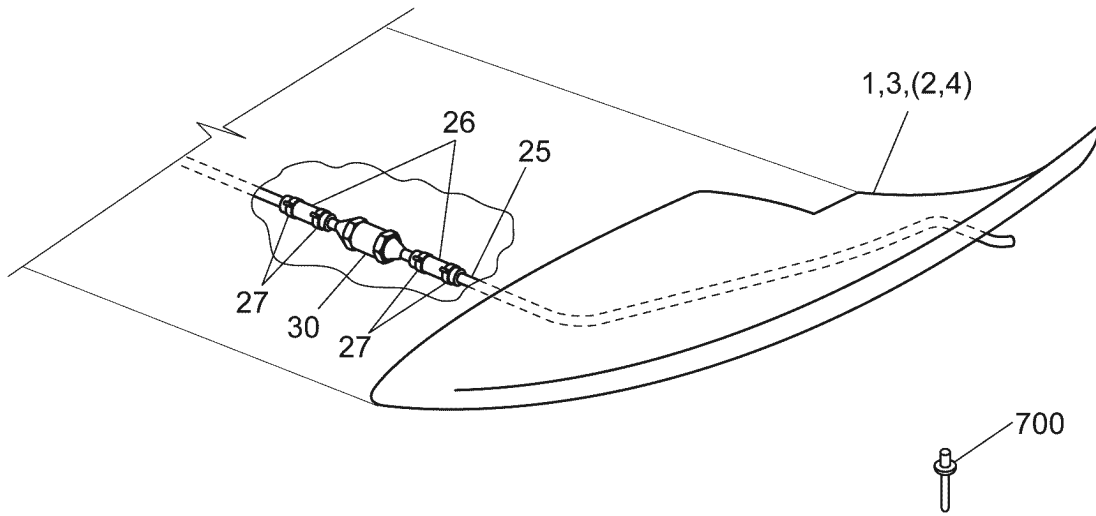
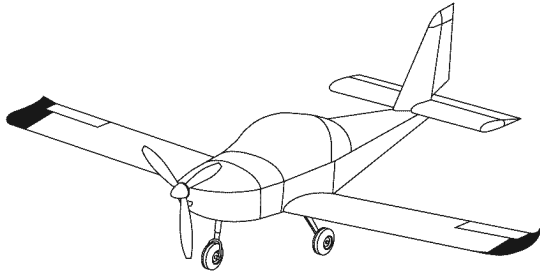
SportStar ^{AM}		FUSELAGE				1.7.2
Fuselage-rear section, parts						
Pos.	Order number	Designation	Qty.	Standard	Note	
010	SG1 01-01 21	Rear beam	1			
013	SG1 01-92 21	Rear flange	1			
015	SG1 01-92 22	Rear flange	1			
017P	SG1 01-06 21	Fin stiffener	2			
017S	S1 00-12 21	Fin reinforcement	2			
024	SG1 01-21 21	Main strap	1			
025	SG1 01-21 22	Main strap	1			
026	SG1 01-22 21	Longeron	2			
032	SG1 01-28 21	Bulkhead	1			
033	SG1 01-29 21	Coupling	1			
045	SG1 01-90 21	Inclined stiffener - left	1			
046	SG1 01-89 21	Inclined stiffener - right	1			
050	SG1 01-46 21	Diagonal stiffener 1	2			
051	SG1 01-47 21	Diagonal stiffener 2	2			
052	E1 01-48 21	Diagonal stiffener 3	2			
053	E1 01-49 21	Diagonal stiffener 4	2			
054	SG1 01-50 21	Spacer 7	2			
055	SG1 01-51 21	Spacer 8	2			
056	SG1 01-52 21	Spacer 9	2			
057	SG1 01-53 21	Lower right stiffener	1			
058	SG1 01-54 21	Lower left stiffener	1			
059	SG1 01-32 21	Bottom stiffener 7	1			
060	SG1 01-31 21	Bottom stiffener 8	1			
061	SG1 01-84 21	Bottom stiffener 9	1			
063	SG1 01-86 21	Stiffener	1			
068	S1 01-39 21	Corner stiffener	1			
069	S1 01-39 22	Corner stiffener	1			
070	SG1 01-66 21	Reinforcing profile	1			
073P	E1 51-04 21	Stiffener	2			
077	SG1 01-82 21	Strut	1			
078	SG1 01-82 22	Strut	1			

SportStar SM	FUSELAGE	1.7.3
	Fuselage-rear section, parts	



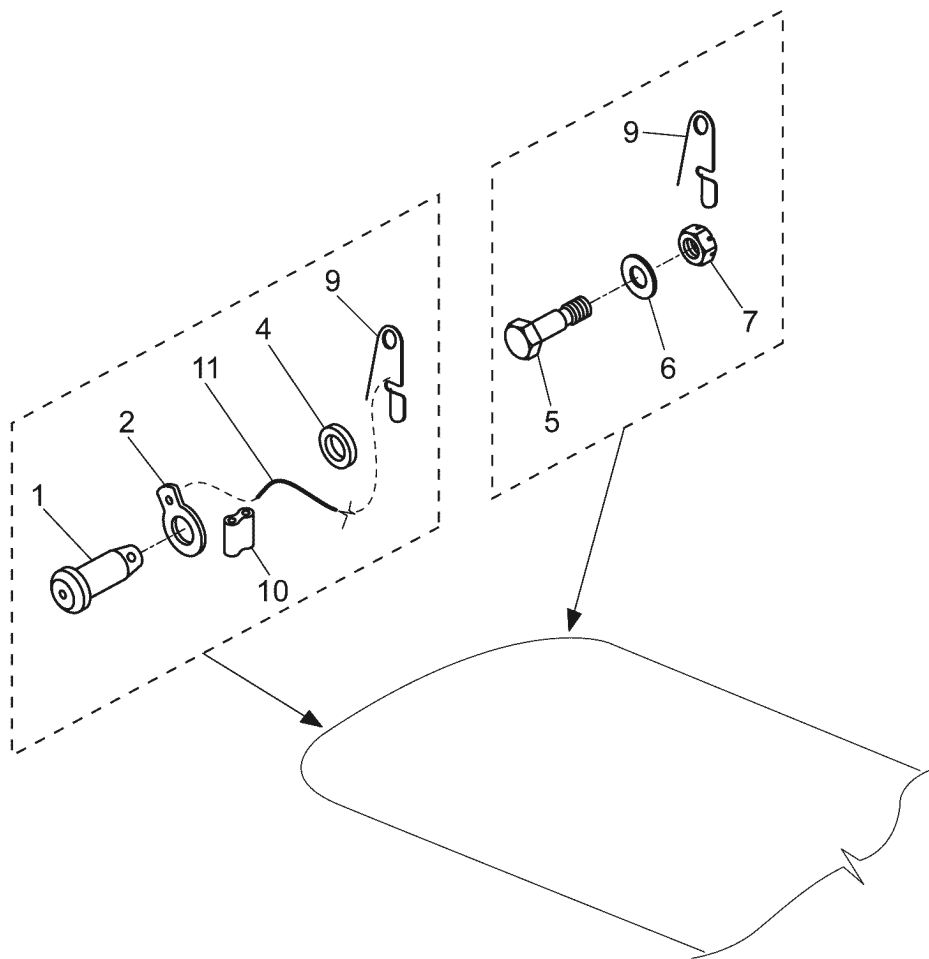
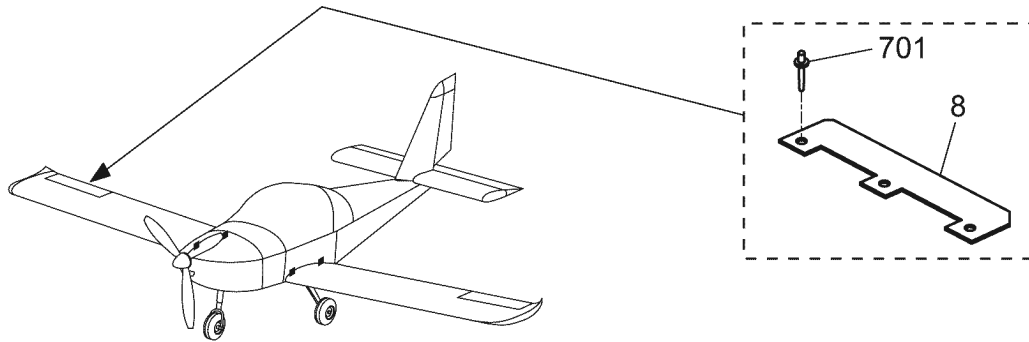
SportStar ^{AM}	FUSELAGE					1.7.3
	Fuselage-rear section, parts					
Pos.	Order number	Designation	Qty.	Standard	Note	
001	SG1 01-12 01	Completed pin	1			
005	SG1 01-12 02	Completed pin	1			
006	SG1 01-02 21	End wall	1			
009	SG1 01-05 21	Stabilizer rear hinge	1			
011	SG1 01-91 21	Insert	1			
012	SG1 01-91 22	Insert	1			
014	E1 01-10 21	Lower hinge	1			
016	E1 01-12 21	Bearing housing	1			
018	E1 01-11 21	Stiffener	1			
019	E1 01-15 21	Under rib	1			
020	E1 01-16 21	Upper rib	1			
021	SG1 01-17 21	Shim 2	1			
027	SG1 01-23 21	Stiffener 1	1			
028	E1 01-24 21	Stiffener 2	1			
029	E1 01-25 21	Stiffener 3	1			
030P	E1 01-27 21	Cover coupling	1			
030S	S1 00-11 21	Cover connection	1			
042	E1 01-38 21	Stabilizer front hinge	1			
043	E1 01-39 21	Pin	2			
044	E1 01-40 21	Cable duct	1			
049	SG1 01-87 21	Stiffener	1			
062	E1 01-80 21	External stiffener	3			
065	SG1 15-01 01	Antenna rib-assy	1			
075	E1 01-81 21	Bracket	1			
076	E1 01-81 22	Bracket	1			
097	3348	Bearing SM6	1	CSN 02 3515		
098P	3057	Nut M 8	1	CSN 02 1403.44		
098S	44375	Nut M 8	1	ISO 4035		
099	6654	Washer 8.2	1	ONL 3288.1		
100	7810	Nut M 8	1	DIN 980 V		
101	8492	Lug 8x14x6	1	ONL 3779.1		
105	8483 (0.10m)	Tube 8x1	2			
109P	12225 (0.22m)	Edge protection	1			

SportStar ^{MAX}	WING	2.1
	Wing	



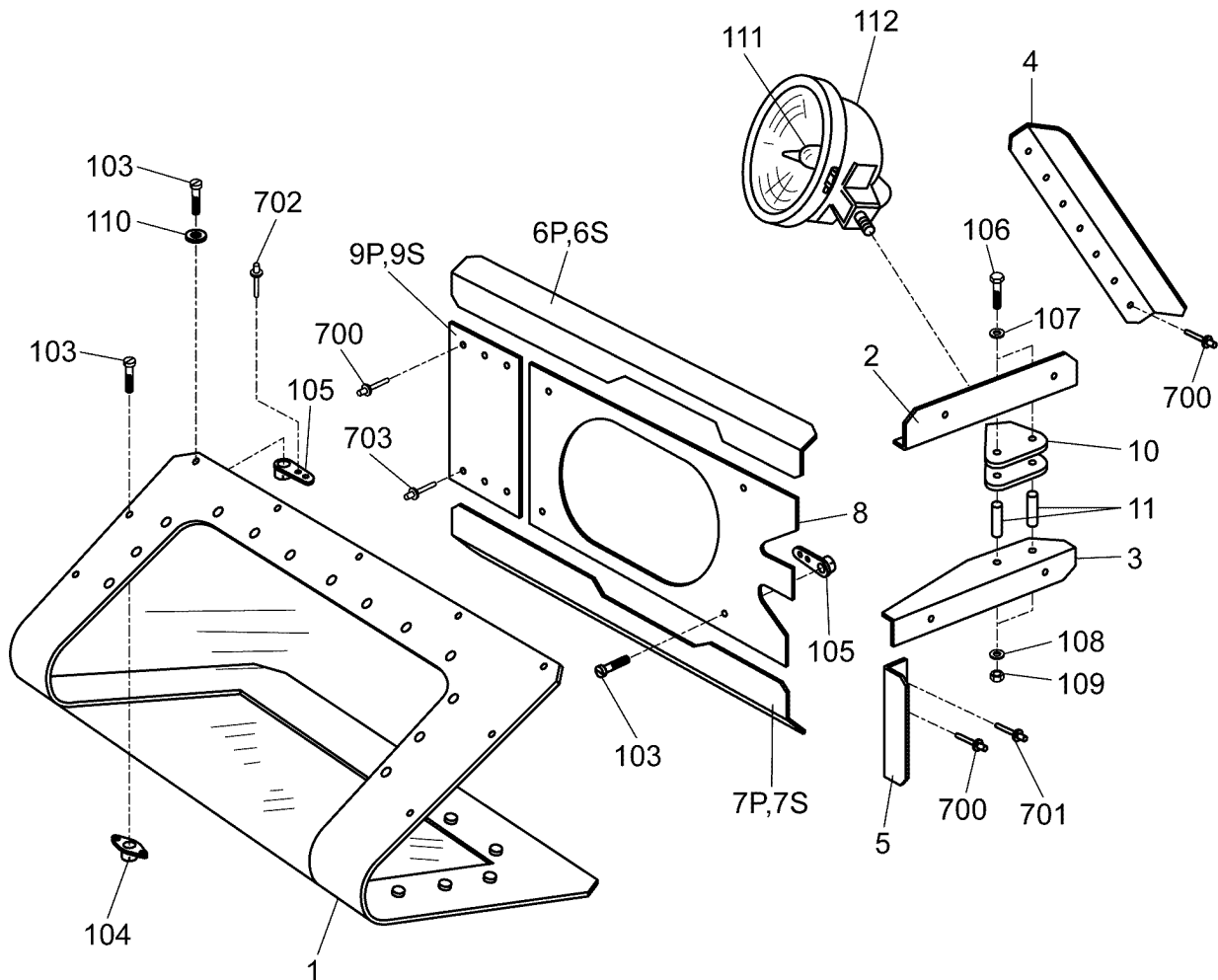
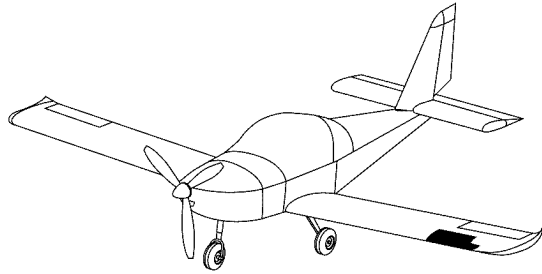
SportStar ^{AM}		WING				2.1
		Wing				
Pos.	Order number	Designation	Qty.	Standard	Note	
001	S2 01-05 01	Wing tip LH	1			
002	S2 01-05 02	Wing tip RH	1			
003	S2 01-15 01	Wing tip for position light LH	1			
004	S2 01-15 02	Wing tip for position light RH	1			
025	S2 10-48 01	Bleeding tube	2			
026	7578 (2.50m)	Hose for engine fuels FUB 386	1			
027	3740	Clip Cobra 11/7	8			
030	41492	One-way check valve CK250E-B	2			
700	6472	Rivet 3.2x7.9	70	AVEX 1691-0410	for one wingtip	

SportStar ^{MAX}	WING	2.1.1
	Wings mounting	



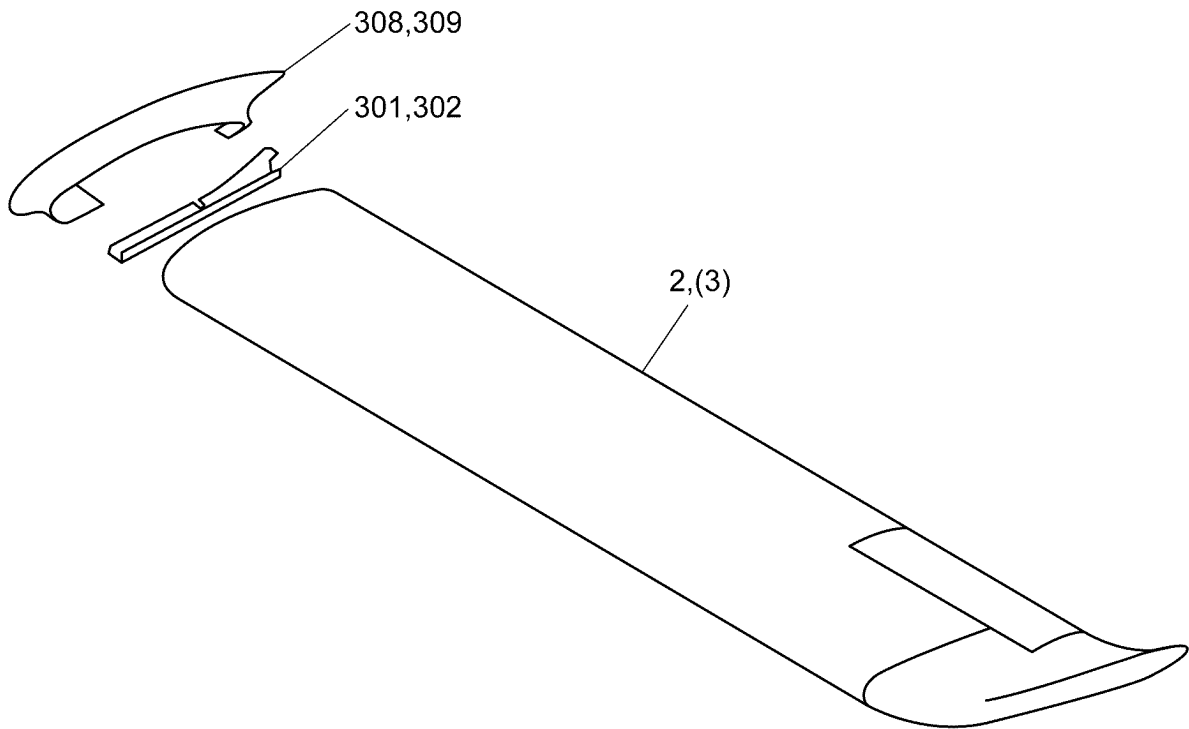
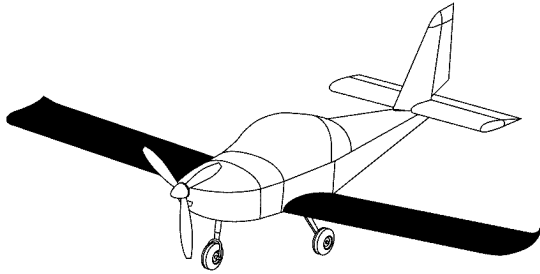
SportStar ^{AVIA}	WING					2.1.1
	Wings mounting					
Pos.	Order number	Designation	Qty.	Standard	Note	
001	SG0 20-01 21	Pin 16	4			
002	S0 20-00 21	Spacer	2			
004	12130	Washer 16x2	4	ONL 3282.1		
005	2858	Bolt M 8x23	2	ONL 3120.14		
006	6814	Washer 8.4	2	DIN 125 A		
007	14086	Nut M 8	2	CSN 02 1411.25		
008	E3 02-21 21	Fletner	1			
009	3952	Safety pin 1.5	6	ONL 3345		
010	13356	Terminal Nicopress	4			
011	8996	Silon	1			
701	8398	Blind rivet 3.0x6.7	3	AVEX 1691-5307		

SportStar ^{MAX}	WING	2.2
	Wing modification-A715 Landing light	



SportStar ^{AM}		WING				2.2
Wing modification-A715 Landing light						
Pos.	Order number	Designation	Qty.	Standard	Note	
001	E2 55-10 01	Landing light cover	1			
002	E2 55-03 21	Holder L	1			
003	E2 55-04 21	Lower holder L	1			
004	E2 55-07 21	Rear profile	1			
005	E2 55-08 21	Front profile	1			
006P	E2 55-01 21	Upper stiffener L	1			
006S	S2 55-01 21	Upper stiffener L	1			
007P	E2 55-02 21	Lower stiffener L	1			
007S	S2 55-02 21	Lower stiffener L	1			
008	E2 55-05 21	Large cover	1			
009P	E2 55-06 21	Small cover	1			
009S	S2 55-06 21	Small cover	1			
010	E2 55-13 21	Bracket	1			
011	E2 55-14 21	Spacer	2			
103	51655	Screw M 4x12	22	ECO-FIX		
104	3084	Nut M 4	14	ONL 3243		
105	3083	Nut M 4	8	ONL 3241		
106	47907	Screw M 6x45	2	ISO 4014		
107	6813	Washer 6.4	2	DIN 125-8-A2F		
108	8047	Washer 6.1	2	DIN 7980		
109	51881	Nut M 6	2	ISO 4032		
110	56125	Washer 3.7	22	DIN 125		
111	12696	Lamp for whelen	1	A715 G4509-PAR 36		
112	6998	Headlight	1			
700	3239	Rivet 3x6	11	CSN 02 2302.5		
701	3241	Rivet 3x7	4	CSN 02 2302.5		
702	10206	Rivet 2.4x6.4	44	NAS1097 AD3-4		
703	6472	Rivet 3.2x7.9	6	AVEX 1691-0410		

SportStar ^{MAX}	WING	2.3
	Wet wing LH+RH	

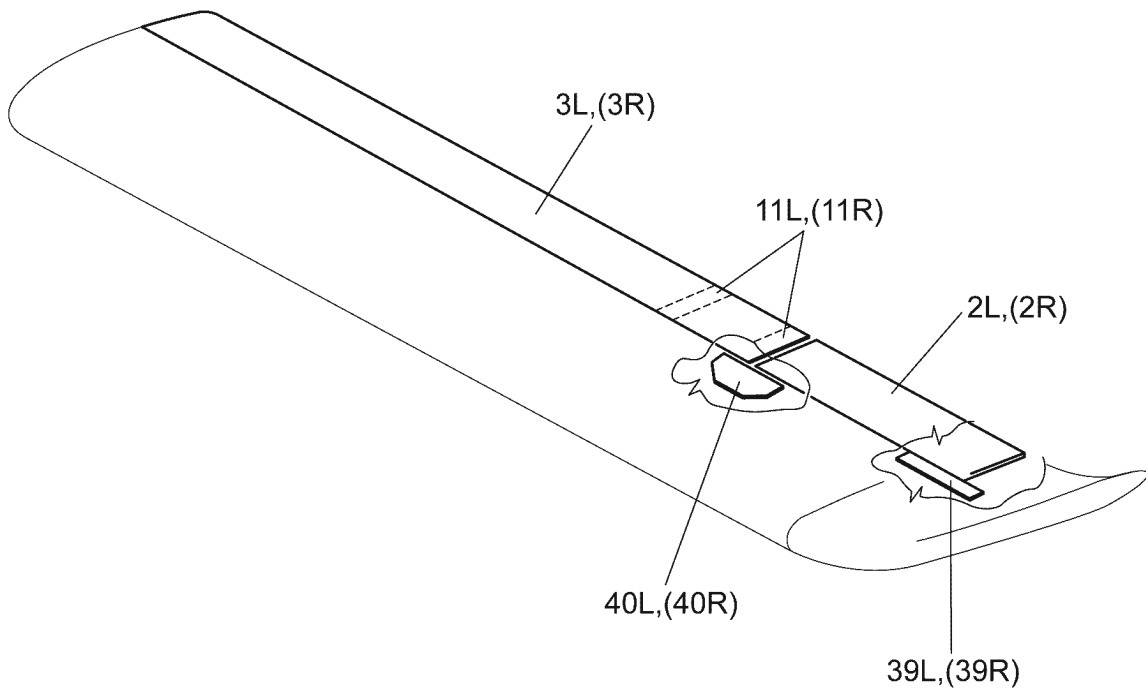
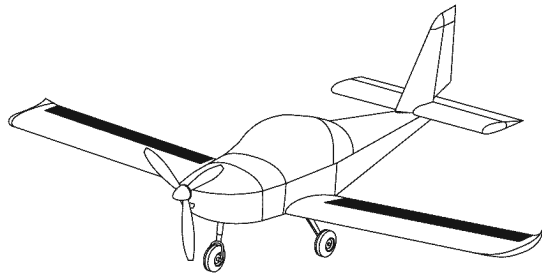


703,704,705,708,709,710,711,713,714,715,717,
719,720,729,739,749,759,798,799,800,801,802,
803,811,812,813,814,820



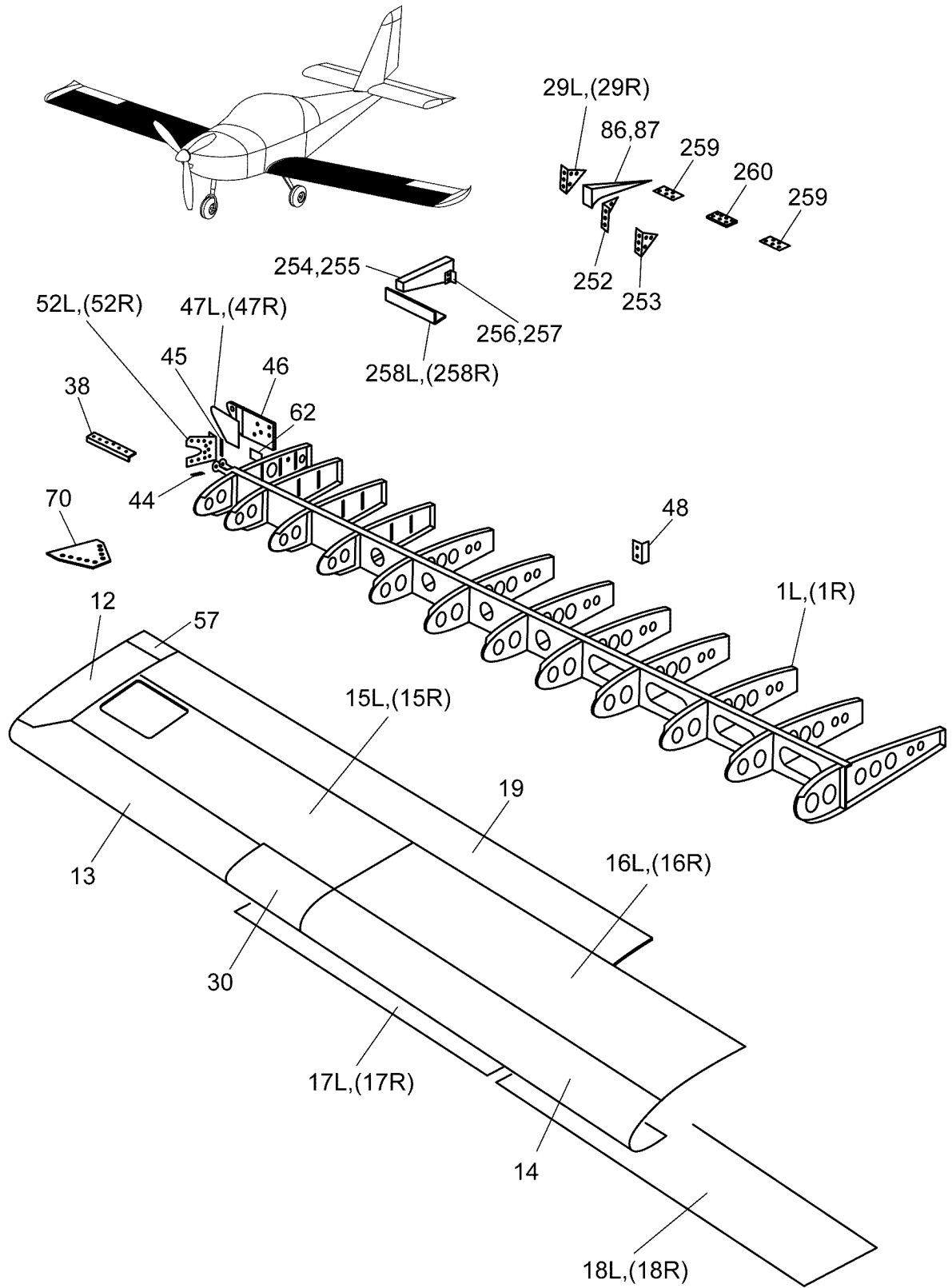
SportStar ^{AM}		WING				2.3
		Wet wing LH+RH				
Pos.	Order number	Designation	Qty.	Standard	Note	
002	S2 10-00 01	Wing with fuel tank L	1			
003	S2 10-00 02	Wing with fuel tank R	1			
301	E0 23-01 21	Fillet sheet L	1			
302	E0 23-01 22	Fillet sheet R	1			
308	E0 23-30 01	Upper fillet L	1			
309	E0 23-30 02	Upper fillet R	1			
703	6472	Rivet 3.2x7.9	1031	AVEX 1691-0410		
704	6793	Blind rivet 3.2x11.2	125	AVEX 1691-0414		
705	8493	Blind rivet 4.0x9.5	24	AVEX 1691-0512		
708	10082	Rivet 3.2x7.9	7	MS20470AD4-5		
709	10323	Rivet 3.2x11.1	6	MS20470AD4-7		
710	10080	Rivet 3.2x12.7	40	MS20470AD4-8		
711	10202	Rivet 3.2x14.3	20	MS20470AD4-9		
713	10093	Rivet 4.0x9.5	1	MS20470AD5-6		
714	10094	Rivet 4.0x11.1	2	MS20470AD5-7		
715	10091	Rivet 4.0x12.7	9	MS20470AD5-8		
717	10206	Rivet 2.4x6.4	10	NAS1097 AD3-4		
719	10209	Rivet 3.2x6.4	1	NAS1097 AD4-4		
720	6796	Blind rivet 3.2x9.5	18	AVEX 1604-0412		
729	36221	Blind rivet 3.2x6.5	148	AVEX 1201-3206		
739	36222	Blind rivet 3.2x8	137	AVEX 1201-3208		
749	36223	Blind rivet 3.2x9.5	40	AVEX 1201-3209		
759	36226	Blind rivet 4.0x11	36	AVEX 1201-4011		
798	48618	Rivet 4x13	18	MFX 1541 4013		
799	48619	Rivet 4x16	3	MFX 1541 4016		
800	44175	Blind rivet 4.0x6.3	16	AVEX 1691-0508		
801	36224	Blind rivet 4x8	5	AVEX 1201-4008		
802	10322	Rivet 3.2x9.5	8	MS20470AD4-6		
803	10203	Rivet 3.2x15.9	1	MS20470AD4-10		
811	11577	Rivet 2.4x11	21	NAS1097 AD3-7		
812	14133	Blind rivet 4.0x12.5	2	BN01-0516		
813	6671	Rivet 4x10	9	CSN 02 2302.5		
814	3263	Rivet 4x9	3	CSN 02 2302.5		
820	8398	Blind rivet 3.0x6.7	14	AVEX 1691-5307		

SportStar ^{MAX}	WING	2.3.1
	Wings, flaps	



SportStar ^{AM}		WING				2.3.1
Wings, flaps						
Pos.	Order number	Designation	Qty.	Standard	Note	
002L	S2 01-04 01	LH Aileron	1			
002R	S2 01-04 02	RH Aileron	1			
003L	S2 01-03 01	Flap - L	1			
003R	S2 01-03 02	Flap - R	1			
011L	762291	Rib L	7			
011R	762391	Rib R	7			
039L	S2 01-21 21	Stiffener L	1			
039R	S2 01-21 22	Stiffener R	1			
040L	762248	Stiffener	1			
040R	762249	Stiffener	1			

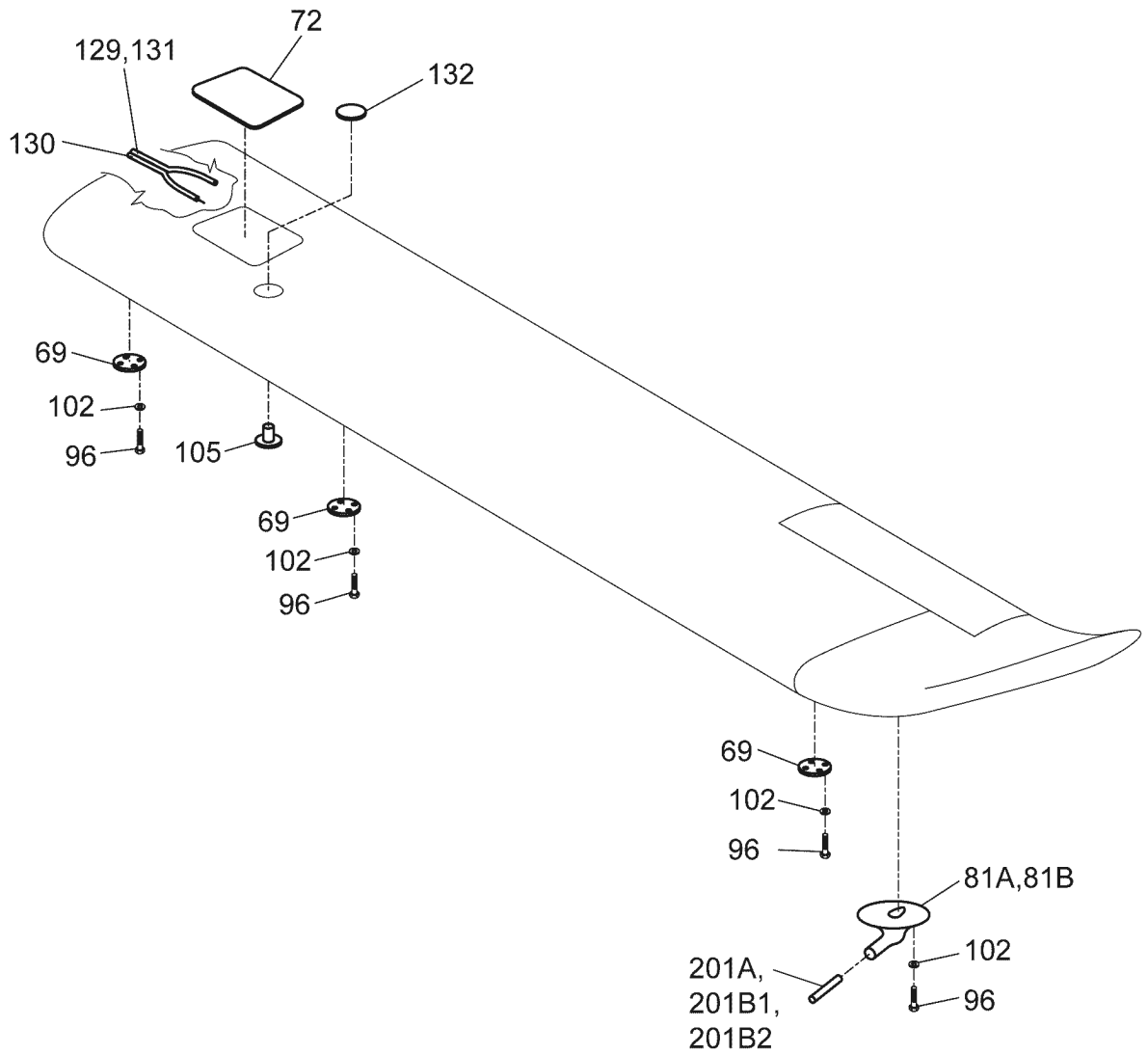
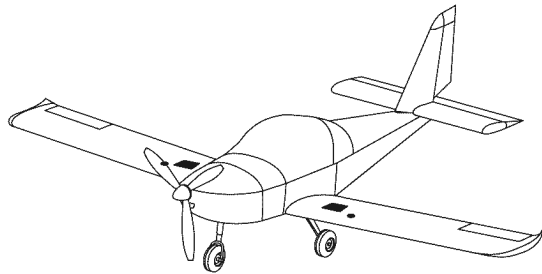
SportStar ^{MAX}	WING	2.3.2
	Wing airframe, wing skins	



SportStar ^{AM}		WING				2.3.2
		Wing airframe, wing skins				
Pos.	Order number	Designation	Qty.	Standard	Note	
001L	S2 10-90 01	Left wing frame	1			
001R	S2 10-90 02	Right wing frame	1			
012	SG2 01-06 21	Step skin	2			
013	S2 10-14 21	Inner leading skin	2			
014	S2 01-04 21	Wing tip nose skin	2			
015L	S2 10-68 21	Upper central skin L	1			
015R	S2 10-68 22	Upper central skin R	1			
016L	S2 01-17 21	Upper outer skin L	1			
016R	S2 01-17 22	Upper outer skin R	1			
017L	S2 10-70 21	Lower inner skin L	1			
017R	S2 10-70 22	Lower inner skin R	1			
018L	S2 10-71 21	Lower outer skin L	1			
018R	S2 10-71 22	Lower outer skin R	1			
019	SG2 01-19 21	Flap upper cover sheet	2			
029L	S2 10-61 21	Connecting angle 1L	1			
029R	S2 10-61 22	Connecting angle 1R	1			
030	S2 10-15 21	Leading middle skin	2			
038	SG2 01-17 21	Stiffener	16			
044	SG2 01-24 21	Stiffener	2			
045	SG2 01-22 21	Shim	2			
046	S2 10-51 21	Rear suspension	2			
047L	SG2 01-23 21	Shim L	1			
047R	SG2 01-23 22	Shim R	1			
048	762293	Coupling	14			
052L	SG2 01-32 21	Shim L	1			
052R	SG2 01-32 22	Shim R	1			
057	S2 10-54 21	Inner skin	2			
062	S2 10-64 21	Washer	2			
070	SG2 01-45 21	Skin stiffener	2			
086	S2 10-52 21	Step skin rib L	4			
087	S2 10-52 22	Step skin rib R	4			
252	S2 10-53 21	Connecting angle L	7			
253	S2 10-53 22	Connecting angle R	7			
254	S2 10-57 21	Stiffening rib L	2			
255	S2 10-57 22	Stiffening rib R	2			
256	S2 10-58 21	Connecting angle L	4			
257	S2 10-58 22	Connecting angle R	4			
258L	S2 10-59 21	Parting wall L	1			
258R	S2 10-59 22	Parting wall R	1			

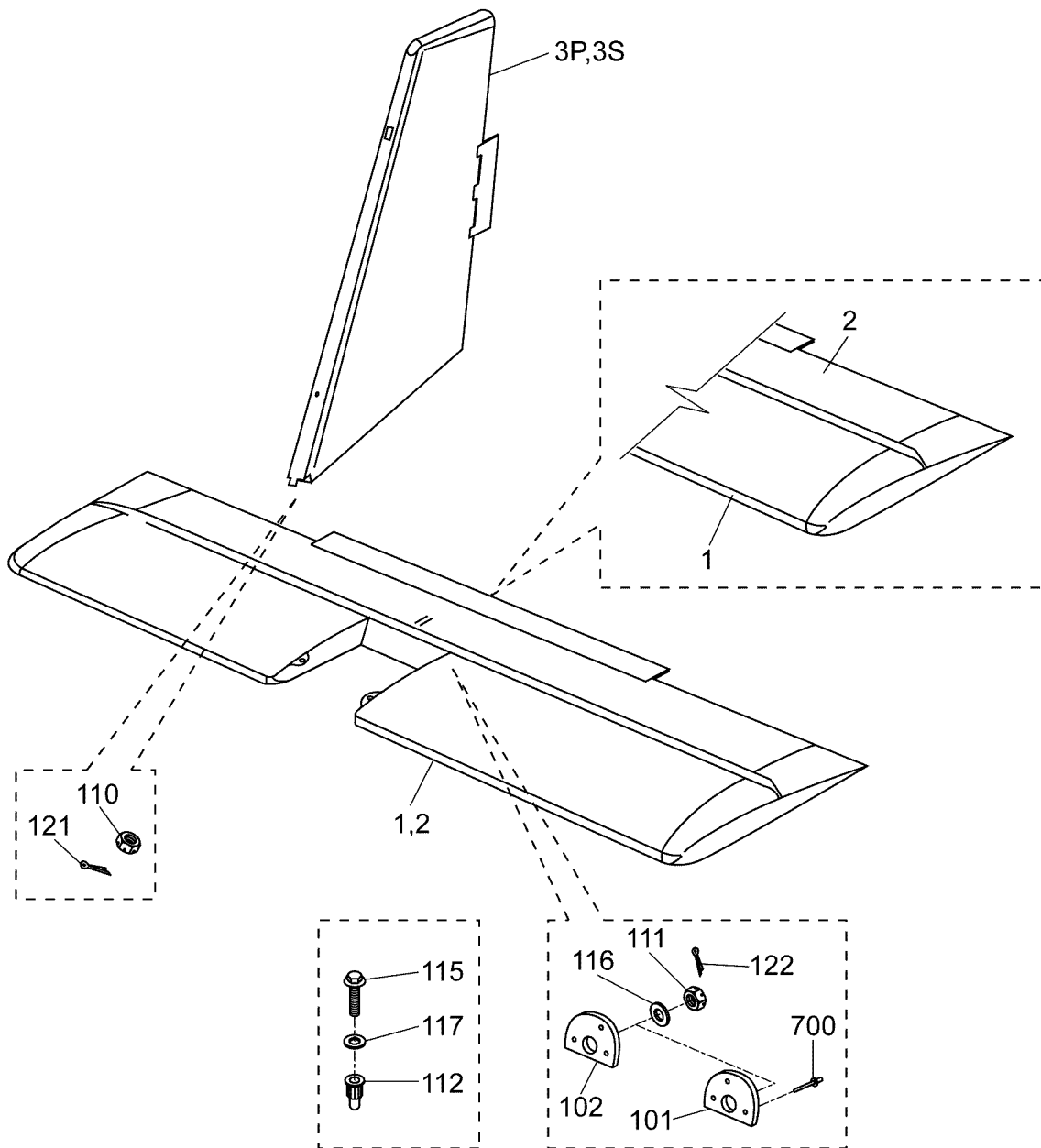
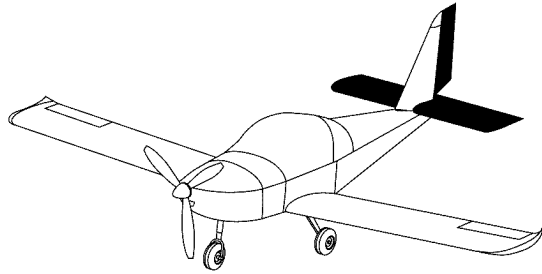
SportStar ^{MAX}	WING				2.3.2
	Wing airframe, wing skins				
Pos.	Order number	Designation	Qty.	Standard	Note
259	S2 10-55 21	Rear suspension	4		
260	S2 10-56 21	Rear suspension	2		

SportStar ^{MAX}	WING	2.3.3
	Fuel tank, fuel caps	



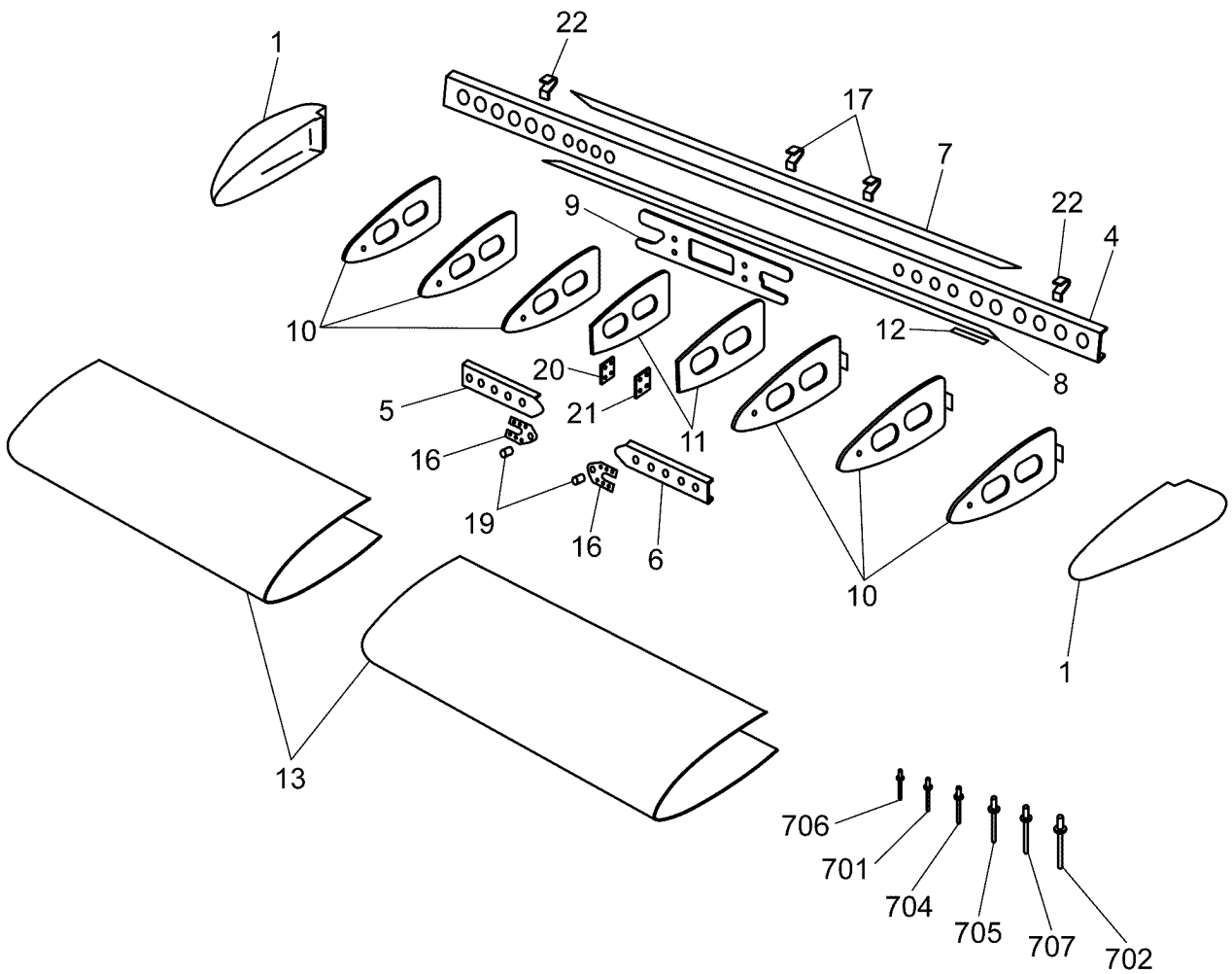
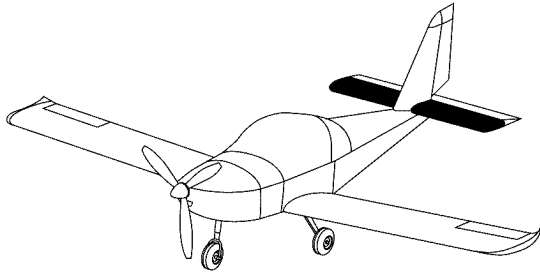
SportStar ^{AVIA}		WING			2.3.3
Fuel tank, fuel caps					
Pos.	Order number	Designation	Qty.	Standard	Note
069	762252	Cap	6		
072	S2 10-16 21	Reservoir lid	2		
081A	E2 51-01 01	Pitot tube brachet 16	1		
081B	SG7 05-01 01	Pitot tube brachet 28	1		
096	51655	Screw M 4x12	13	ECO-FIX	
102	56125	Washer 3.7	13	DIN 125	
105	25015	Drain valve	1		
129	3740	Clip Cobra 11/7	2		
130	7578 (0.05m)	Oil hose	1	ISO 4639	
131	7838	Clip Cobra 12/8	3		
132	36363	Fuel tank lid	2		
201A	13596	Pitot tube 16	1		
201B1	11520	Pitot tube 28	1		
201B2	11522	Pitot tube with heating 28	1		

SportStar ^{MAX}	TAIL UNITS	3.1
	Tail units	



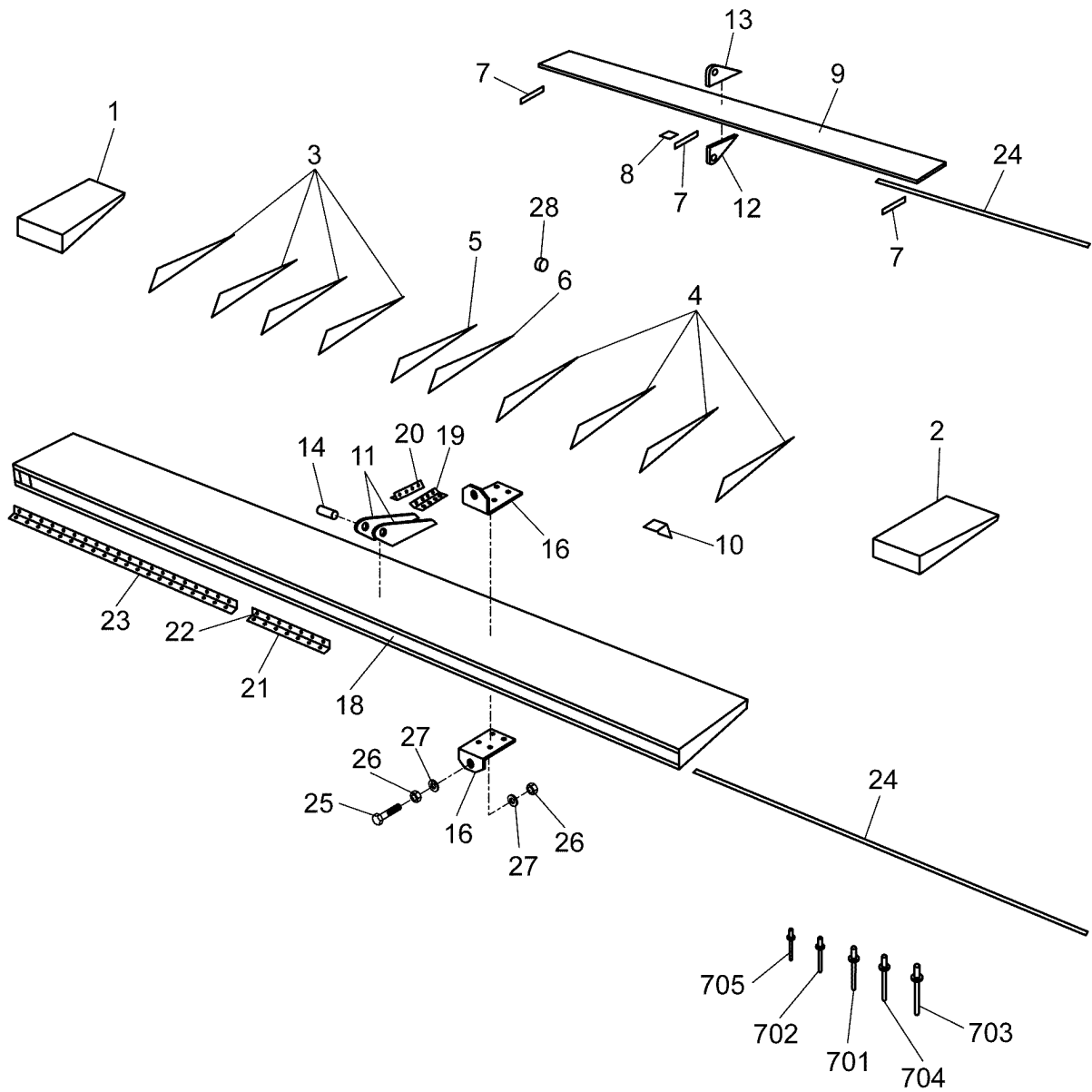
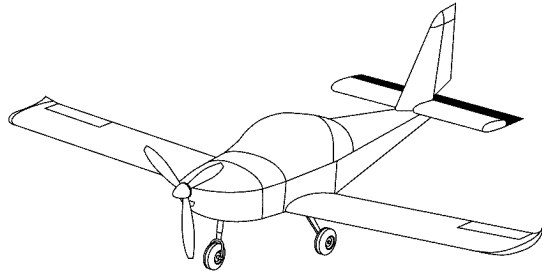
SportStar ^{AM}	TAIL UNITS					3.1
	Tail units					
Pos.	Order number	Designation	Qty.	Standard	Note	
001	S3 00-01 01	Stabilizer			assembled	
002	S3 00-03 01	Elevator			assembled	
003P	E3 00-02 01	Rudder				
003S	S3 00-02 01	Rudder				
101	SG3 01-23 21	Bush	1			
102	SG3 01-23 22	Bush	1			
110	3082	Nut M 5	1	ONL 3210.44		
111	3071	Nut M 8	2	CSN 02 1413.44		
112	6980	Nut M 4	18	9408-2415		
115	51656	Screw M 4x16	22	ECO-FIX		
116	6814	Washer 8.4	2	DIN 125 A		
117	56125	Washer 3.7	22	DIN 125		
121	3183	Split pin 1x12	1	CSN 02 1781.05		
122	37002	Split pin 2x20	2	CSN 02 1781.05		
700	10211	Rivet 3.2x9.5	6	NAS1097 AD4-6		

SportStar ^{MAX}	TAIL UNITS	3.1.1
	Stabilizer	



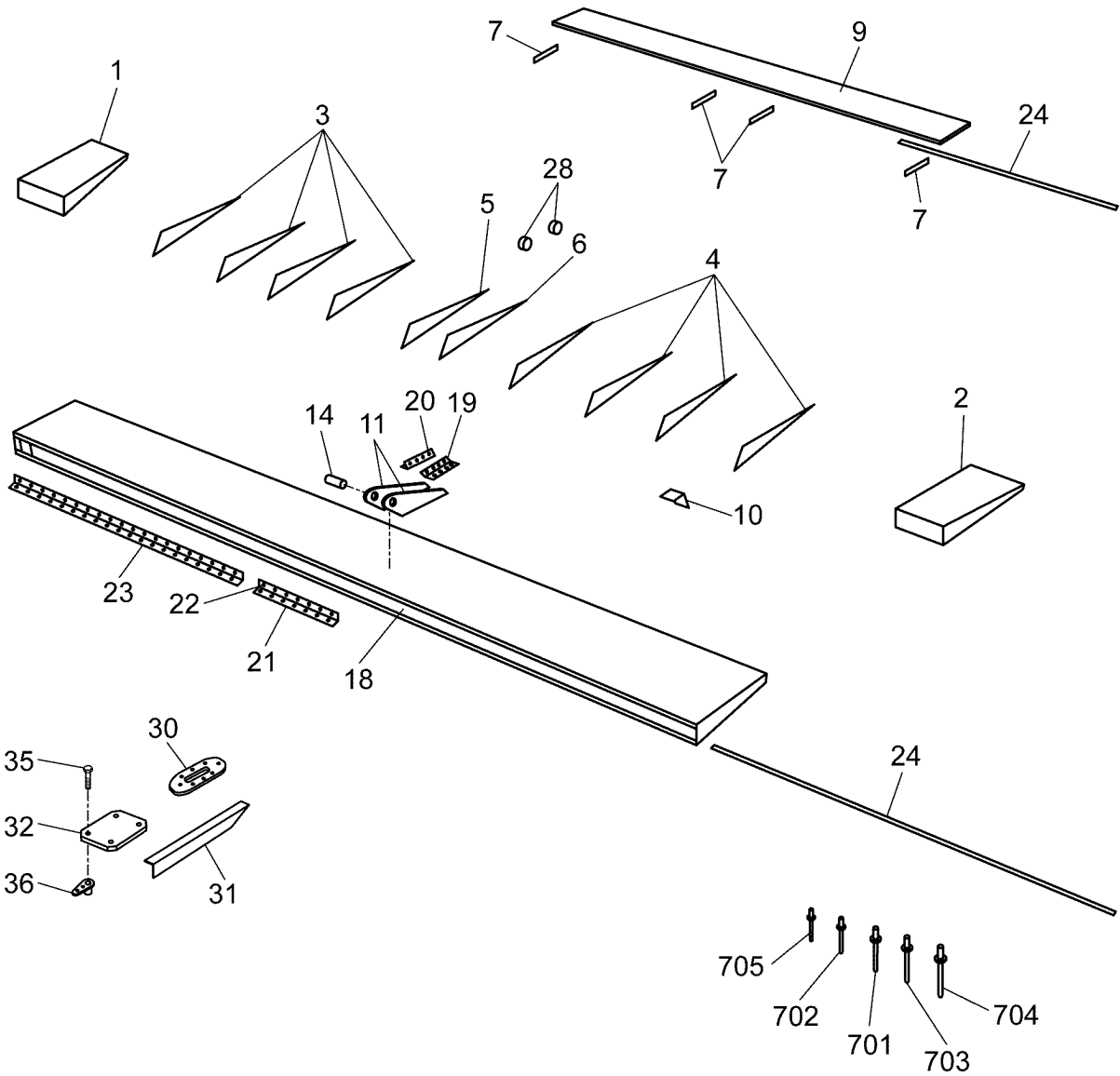
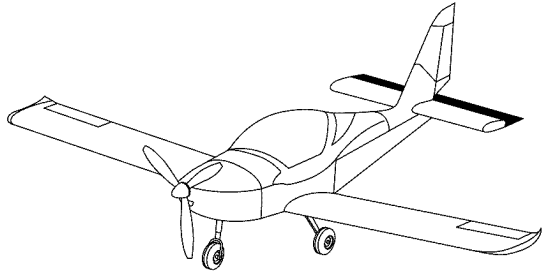
SportStar ^{AM}		TAIL UNITS				3.1.1
		Stabilizer				
Pos.	Order number	Designation	Qty.	Standard	Note	
001	E3 01-02 01	Stabilizer tip	2			
004	SG3 01-01 21	Spar	1			
005	E3 01-02 21	Auxiliary spar	1			
006	E3 01-02 22	Auxiliary spar	1			
007	SG3 01-03 21	Upper strap	1			
008	SG3 01-04 21	Lower strap	1			
009	SG3 01-05 21	Stiffener	1			
010	E3 01-06 21	Rib	6			
011	E3 01-07 21	Root rib	2			
012	SG3 01-09 21	Small strap	1			
013	E3 01-08 21	Skin	2			
016	SG3 01-11 21	Fitting	2			
017	SG3 01-12 21	Support	2			
019	SG3 01-16 21	Bush	2			
020	E3 01-15 21	Stiffening angle	1			
021	E3 01-15 22	Stiffening angle	1			
022	SG3 01-14 21	Support	2			
701	6472	Rivet 3.2x7.9	390	AVEX 1691-0410		
702	6793	Blind rivet 3.2x11.2	91	AVEX 1691-0414		
704	10082	Rivet 3.2x7.9	16	MS20470AD4-5		
705	10322	Rivet 3.2x9.5	4	MS20470AD4-6		
706	10210	Rivet 3.2x7.9	10	NAS1097 AD4-5		
707	10211	Rivet 3.2x9.5	4	NAS1097 AD4-6		

SportStar ^{MAX}	TAIL UNITS	3.1.2PLUS
	Elevator	



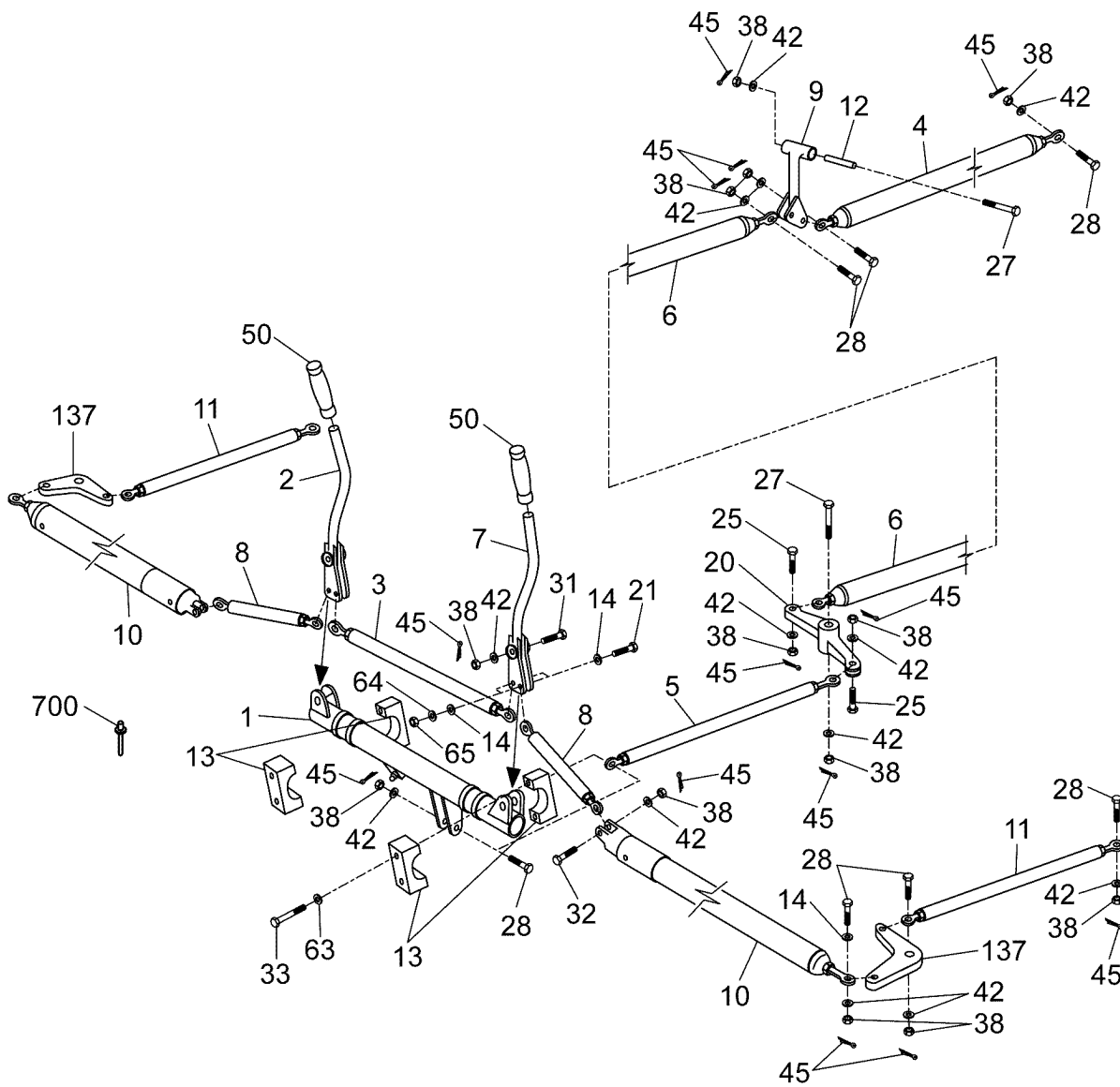
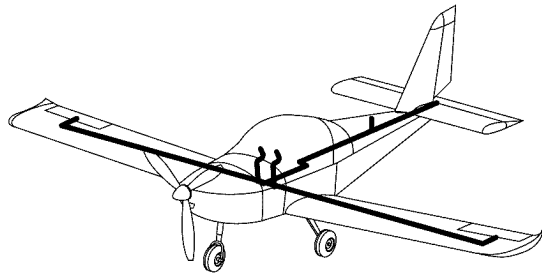
SportStar ^{AM}	TAIL UNITS					3.1.2PLUS
	Elevator					
Pos.	Order number	Designation	Qty.	Standard	Note	
001	E3 03-01 01	Elevator tip	1			
002	E3 03-01 02	Elevator tip	1			
003	E3 03-01 21	Rib 3	4			
004	E3 03-01 22	Rib 3	4			
005	E3 03-23 21	Root rib	1			
006	E3 03-23 22	Root rib	1			
007	E3 03-20 21	Trim tab tip	3			
008	E3 03-15 21	Pad	1			
009	E3 03-19 21	Trim tab skin	1			
010	S3 03-01 21	Strip	4			
011	E3 03-28 21	Lever	2			
012	E3 03-17 21	Single arm lever	1			
013	E3 03-17 22	Single arm lever	1			
014	E3 03-11 21	Bush	2			
016	E3 03-18 21	Bowden holder	2			
018	E3 03-22 21	Elevator skin	1			
019	E3 03-27 21	Coupling	1			
020	E3 03-27 22	Coupling	1			
021	SG3 01-17 21	Outer hinge	1			
022	SG3 01-18 21	Inner hinge	1			
023	3851	Hinge	4			
024	15769	Rod 3	2	DIN 1.4301		
025	3554	Screw M 6.5x25	2	ONA 02 8486.2		
026	12474	Nut M 6	4	CSN 02 1403.25		
027	6813	Washer 6.4	4	DIN 125-8-A2F		
028	3786	Bush 8x4	1	CSN 63 3881.3		
701	6472	Rivet 3.2x7.9	265	AVEX 1691-0410		
702	3241	Rivet 3x7	12	CSN 02 2302.5		
703	6950	Rivet 3.5x11	3	CSN 02 2302.5		
704	3242	Rivet 3x8	4	CSN 02 2302.5		
705	8398	Blind rivet 3.0x6.7	100	AVEX 1691-5307		

SportStar ^{MAX}	TAIL UNITS	3.1.2SL
	Elevator	



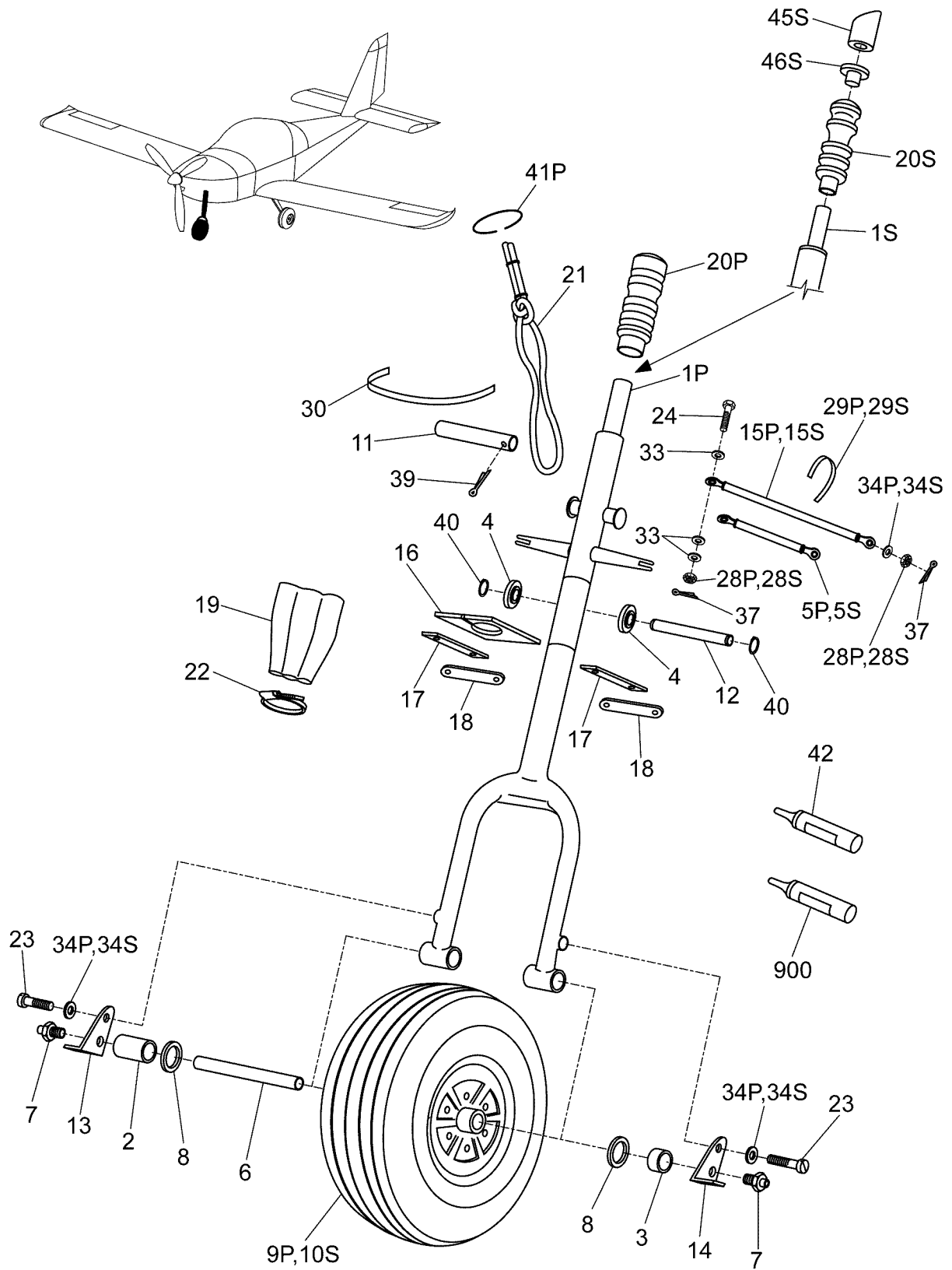
SportStar ^{AM}		TAIL UNITS				3.1.2SL
		Elevator				
Pos.	Order number	Designation	Qty.	Standard	Note	
001	E3 03-01 01	Elevator tip	1			
002	E3 03-01 02	Elevator tip	1			
003	E3 03-01 21	Rib 3	4			
004	E3 03-01 22	Rib 3	4			
005	E3 03-23 21	Root rib	1			
006	E3 03-23 22	Root rib	1			
007	E3 03-20 21	Trim tab tip	4			
009	E3 03-19 21	Trim tab skin	1			
010	S3 03-01 21	Strip	4			
011	E3 03-28 21	Lever	2			
014	E3 03-11 21	Bush	2			
018	E3 03-22 21	Elevator skin	1			
019	E3 03-27 21	Coupling	1			
020	E3 03-27 22	Coupling	1			
021	SG3 01-17 21	Outer hinge	1			
022	SG3 01-18 21	Inner hinge	1			
023	3851	Hinge	4			
024	15769	Rod 3	2	DIN 1.4301		
028	3786	Bush 8x4	2	CSN 63 3881.3		
030	E3 03-37 21	Rubber border	1			
031	E3 03-39 21	Elevator reinforcement	1			
032	E3 03-33 21	Cover	1			
035	19628	Screw M 3x10	4	DIN 7985		
036	9854	Nut M 3	4	ONL 3241		
701	6472	Rivet 3.2x7.9	270	AVEX 1691-0410		
702	3241	Rivet 3x7	12	CSN 02 2302.5		
703	6796	Blind rivet 3.2x9.5	8	AVEX 1604-0412		
704	8493	Blind rivet 4.0x9.5	4	AVEX 1691-0512		
705	8398	Blind rivet 3.0x6.7	108	AVEX 1691-5307		

SportStar ^{MAX}	CONTROLS	4.1
	Controls	



SportStar ^{AM}		CONTROLS				4.1
Controls						
Pos.	Order number	Designation	Qty.	Standard	Note	
001	SG4 01-02 01	Control lever body	1			
002	SG4 01-03 01	Completed control lever	1			
003	S4 01-04 01	Control levers connecting rod	1			
004	S4 01-10 01	Rod 32	1			
005	S4 01-09 01	Rod 22	1			
006	S4 01-12 01	Rod 33	1			
007	SG4 01-03 02	Completed control lever	1			
008	S4 01-13 01	Rod 16 short	2			
009	SG4 01-19 01	Control rod holder	1			
010	S4 01-14 01	Rod 25	2			
011	S4 01-15 01	Rod 16	2			
012	SG4 01-22 21	Tube	1			
013	SG4 01-25 01	Bearing	2			
014	S4 01-30 21	Clearance ring	8			
020	SG1 02-09 01	Aileron two-armed lever	1			
021	S4 01-29 21	Bolt modified	4			
025	2835	Screw M 6x25	2	ONL 3120.14		
027	2852	Screw M 6x63	2	ONL 3120.14		
028	2834	Screw M 6x23	10	ONL 3120.14		
031	9056	Screw M 6x49	2	ONL 3120.14		
032	2836	Screw M 6x27	2	ONL 3120.14		
033	9652	Screw M 5x70	4	DIN 931		
038	3070	Nut M 6	18	CSN 02 1413.44		
042	3155	Washer 6x1	43	ONL 3271		
045	10894	Cotter pin 1.6x14	18	CSN 02 1781.05		
050	7253	Bicycle rubber grip	2			
063	3141	Washer 5.3	4	CSN 02 1751.04		
064	S4 01-28 21	Lock washer	4			
065	3048	Nut M 6	4	CSN 02 1402.44		
137	S4 01-11 01	Aileron two-armed lever	2			
700	6794	Blind rivet 4.0x12.7	32	AVEX 1691-0516		

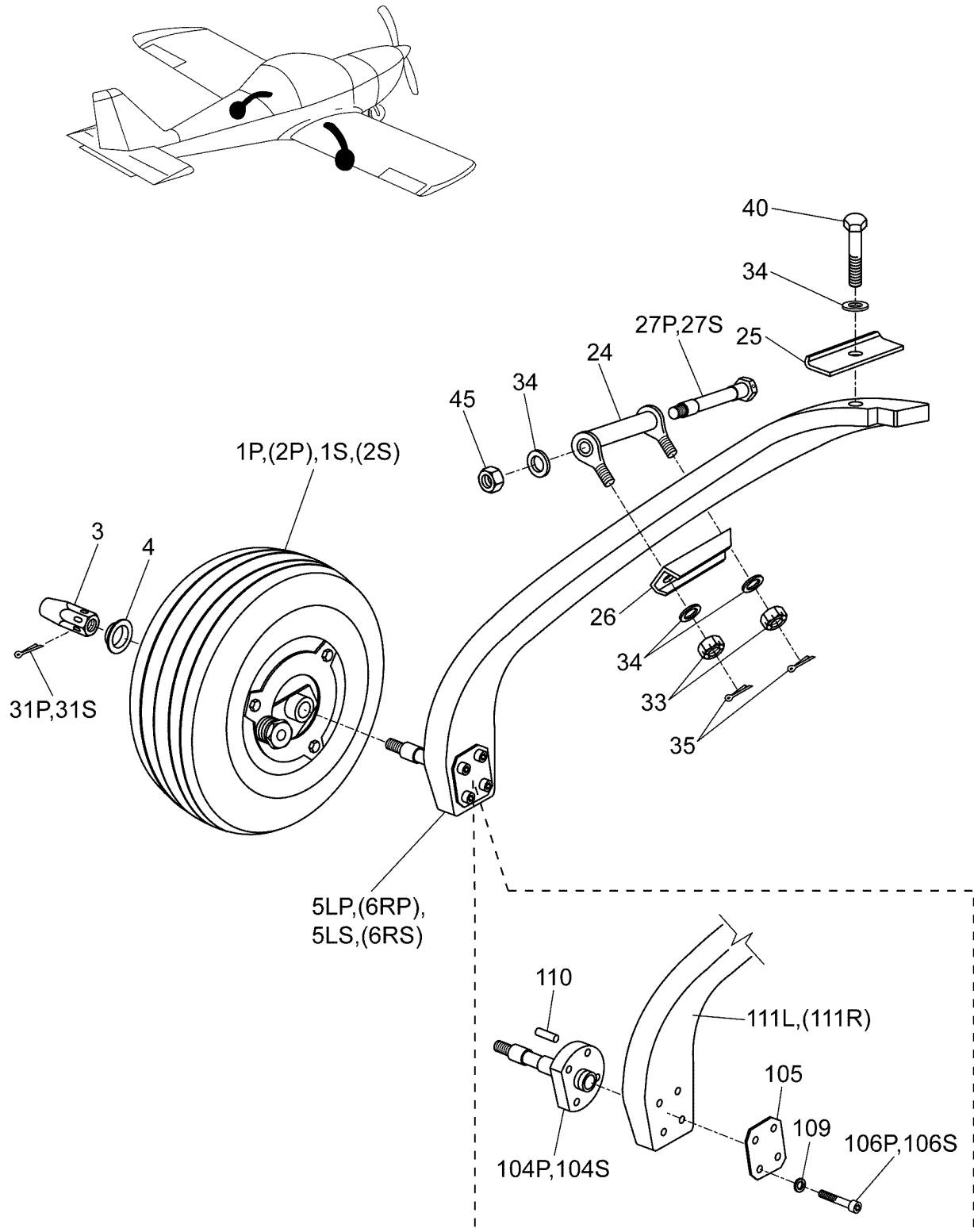
SportStar ^{MAX}	LANDING GEAR	5.1
	Nose landing gear	



SportStar ^{AM}		LANDING GEAR				5.1
		Nose landing gear				
Pos.	Order number	Designation	Qty.	Standard	Note	
001P	S5 00-01 01	Nose landing gear	1			
001S	S5 00-03 01	Nose landing gear	1			
002	S5 00-09 21	Spacer	1			
003	S5 00-10 21	Small spacer	1			
004	S0 54-12 21	Stop	2			
005P	E4 60-62 01	Rod 12	1			
005S	S4 62-01 01	Rod 12 - L	1			
006	SG5 00-12 21	Wheel axle	1			
007	SG5 21-01 21	Bolt	2			
008	765478	Washer	2			
009P	E5 51-51 01	Nose wheel - assy	1			
010S	S5 51-59 01	Nose wheel assy 15x6.00-6	1			
011	E0 54-07 21	Tube	1			
012	E0 54-01 21	Tube	1			
013	S5 01-11 21	Eye L	1			
014	S5 01-11 22	Eye R	1			
015P	E4 60-62 02	Rod 12	1			
015S	S4 62-01 02	Rod 12 - P	1			
016	S0 54-13 21	Rubber washer	1			
017	S0 54-20 21	Strip	2			
018	S0 54-21 21	Strip	2			
019	S0 54-22 01	Nose landing gear sleeve	1			
020P	E0 54-11 21	Backstop modified	1			
020S	S5 01-14 21	Stop modified	1			
021	S0 54-17 01	Rubber rope	2			
022	3494	Hose clip 35-50	1			
023	13528	Screw M 6x12	2	BN 500		
024	2834	Screw M 6x23	2	ONL 3120.14		
028P	3069	Nut M6	4	CSN 02 1413.24		
028S	3070	Nut M 6	4	CSN 02 1413.44		
029P	13393	Cable tie 3.6x142	4	PLT1.5I-C		
029S	13393	Cable tie 3.6x142	2	PLT1.5I-C		
030	9754	Fastener band 4.8x360	2	580984.HN 000		
033	3149	Washer 6	6	CSN 31 3282.11		
034P	3115	Washer 6.4	4	CSN 02 1702.14		
034S	6813	Washer 6.4	8	DIN 125-8-A2F		
037	10894	Cotter pin 1.6x14	4	CSN 02 1781.05		
039	12291	Cotter pin 2.5x25	2	CSN 02 1781.05		
040	3750	Ring lock 10	2	CSN 02 2930		

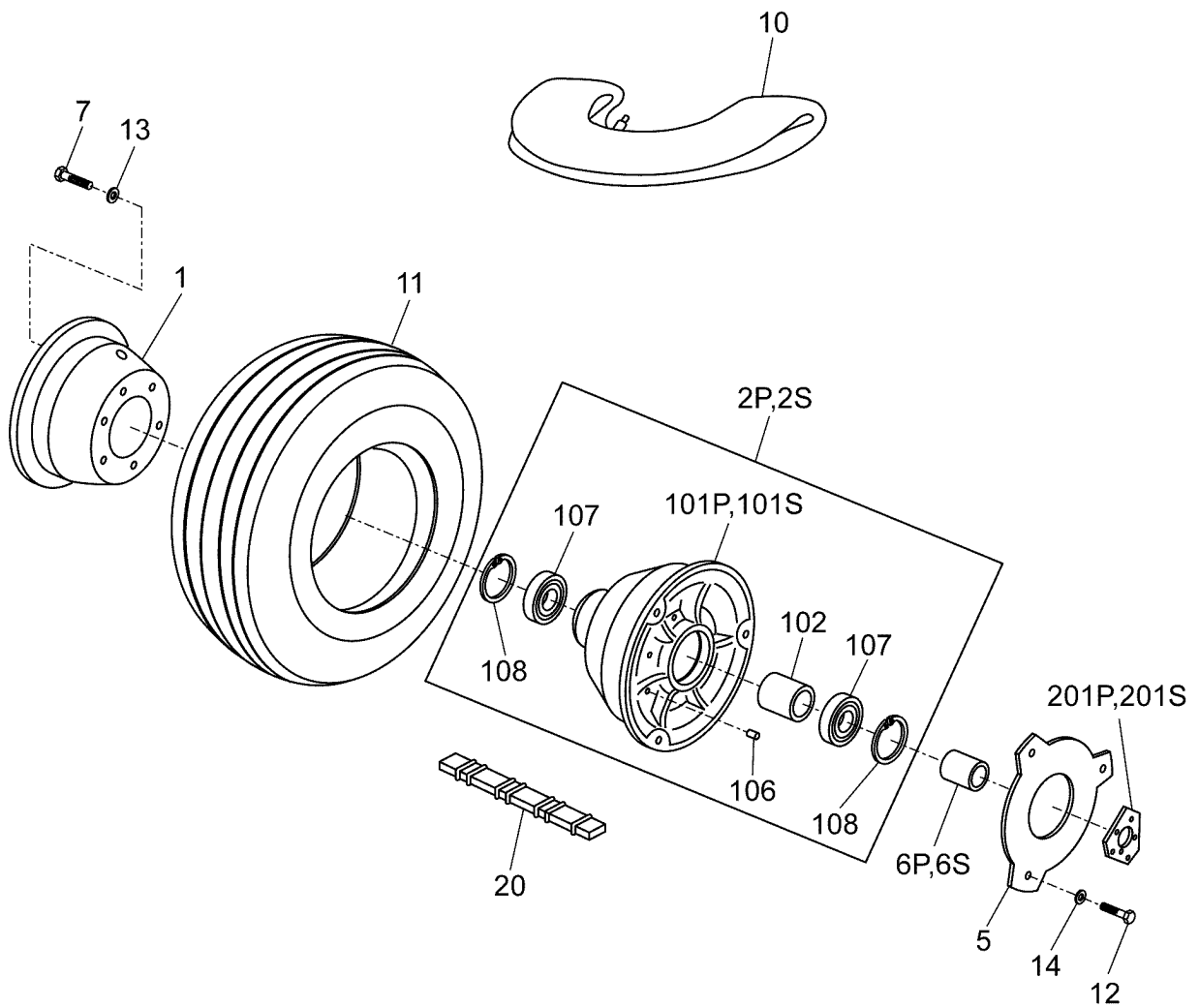
SportStar ^{AVIA}	LANDING GEAR					5.1
	Nose landing gear					
Pos.	Order number	Designation	Qty.	Standard	Note	
041P	1991	Wire KR 0.8	1	CSN 42 6406		
042	13432	Molyka paste				
045S	S5 01-18 21	Silentblock	1			
046S	S5 01-15 21	Centering washer	1			
900	6419	Glue Loctite 243				

SportStar ^{MAX}	LANDING GEAR	5.2
	Main landing gear	



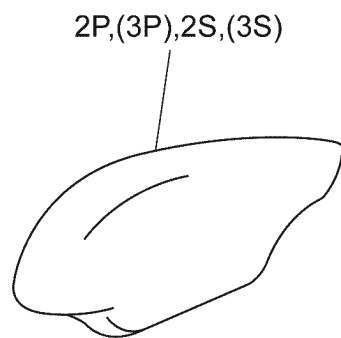
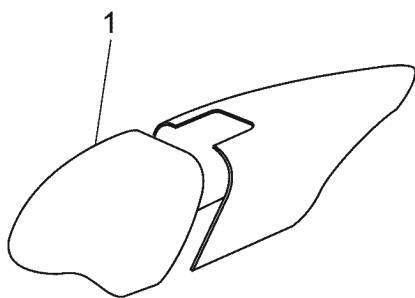
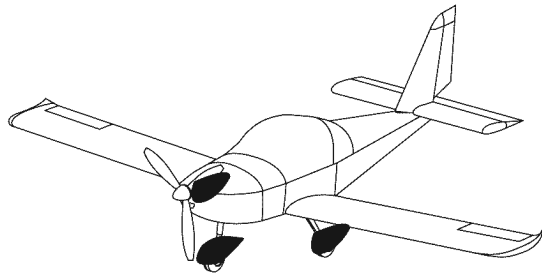
SportStar ^{AM}		LANDING GEAR				5.2
Main landing gear						
Pos.	Order number	Designation	Qty.	Standard	Note	
001P	E5 51-50 01	Left wheel with brake	1			
001S	S5 10-00 01	Wheel with brake L	1			
002P	E5 51-50 02	Right wheel with brake	1			
002S	S5 10-00 02	Wheel with brake R	1			
003	E5 20-10 21	Nut	2			
004	765478	Washer	2			
005LP	S5 75-80 01	Leg left - assembly	1			
005LS	S5 10-10 01	Leg completed L	1			
006RP	S5 75-80 02	Leg right - assembly	1			
006RS	S5 10-10 02	Leg completed R	1			
024	SG1 02-93 01	Yoke	2			
025	SG1 02-54 21	Shim	2			
026	SG1 02-90 21	Yoke	2			
027P	SG1 02-89 21	Bolt	2			
027S	S5 00-21 21	Pin	2			
031P	3204	Cotter pin 4x40	2	CSN 02 1781.04		
031S	51879	Split pin 4x40	2	CSN 02 1781.05		
033	3071	Nut M 8	4	CSN 02 1413.44		
034	6814	Washer 8.4	8	DIN 125 A		
035	37002	Split pin 2x20	4	CSN 02 1781.05		
040	10473	Bolt M 8x60	2	CSN 02 1143.55		
045	7810	Nut M 8	2	DIN 980 V		
104P	E5 80-02 21	Small wheel axle	2			
104S	S5 10-11 21	Main wheel axle	2			
105	E5 80-03 21	Shim	2			
106P	E5 20-15 21	Bolt modified	8			
106S	S5 20-15 21	Bolt modified	8			
109	52043	Washer 8	8			
110	20771	Pin 5m6x25	8	ISO 2338		
111L	S5 08-09 01	Left main leg	1			
111R	S5 08-09 02	Right main leg	1			

SportStar ^{MAX}	LANDING GEAR	5.3
	Tyre / tube	



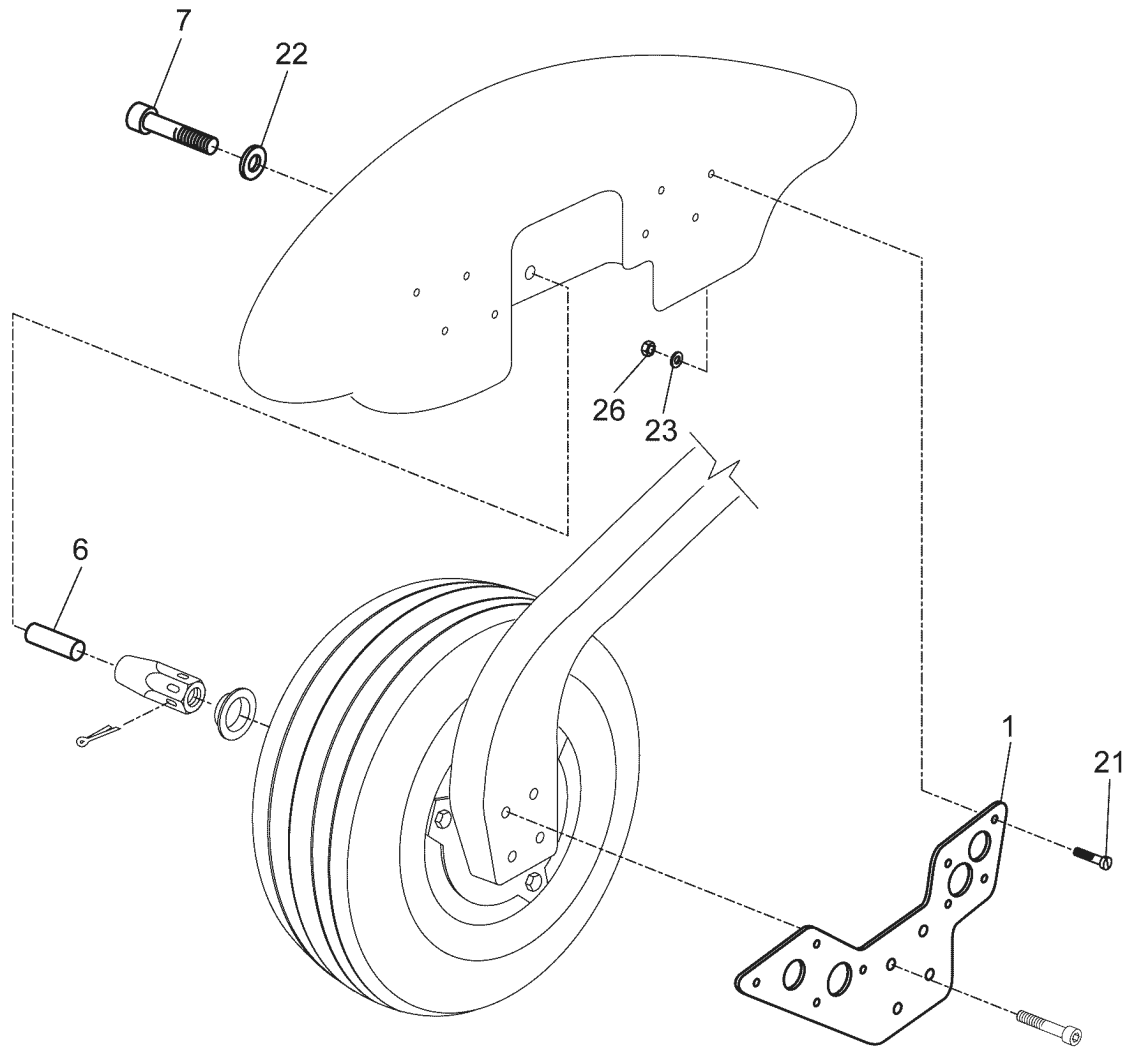
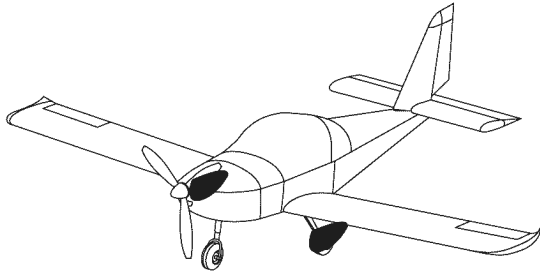
SportStar ^{AM}		LANDING GEAR				5.3
		Tyre / tube				
Pos.	Order number	Designation	Qty.	Standard	Note	
001	765253	Outer disk - machined	1			
002P	765225	Completed disk	1			
002S	S5 10-01 01	Inner disk complet	1			
005	765105	Brake disc - small	1			
006P	765107	Ring	1			
006S	S5 10-12 21	Spacer	1			
007	765255	Bolt modified	6			
010	12861	Tire tube Cheng Shin 15x6.00-6	1		main wheel	
011	12860	Tire Cheng Shin 15x6.00-6	1		main wheel	
012	17034	Screw M 8x12	3	CSN 02 1103.55		
013	7901	Washer 6.4	6	CSN 02 1726.15		
014	6654	Washer 8.2	3	ONL 3288.1		
020	13426	Balance weight 5g, 10g	1			
101P	765228	Disk with hub - machined	1			
101S	S5 10-01 21	Inner disk	1			
102	765108	Spacer ring	1			
106	8025	Threaded insert M 6x6	6			
107	7302	Bearing 6004 ZZ	2	CSN 02 4633		
108	7333	Ring lock 42	2	CSN 02 2931		
201P	30612	Brake holder	1			
201S	S5 10-03 21	Brake holder	1			

SportStar^{MAX}	LANDING GEAR	5.4
	Wheel pants	



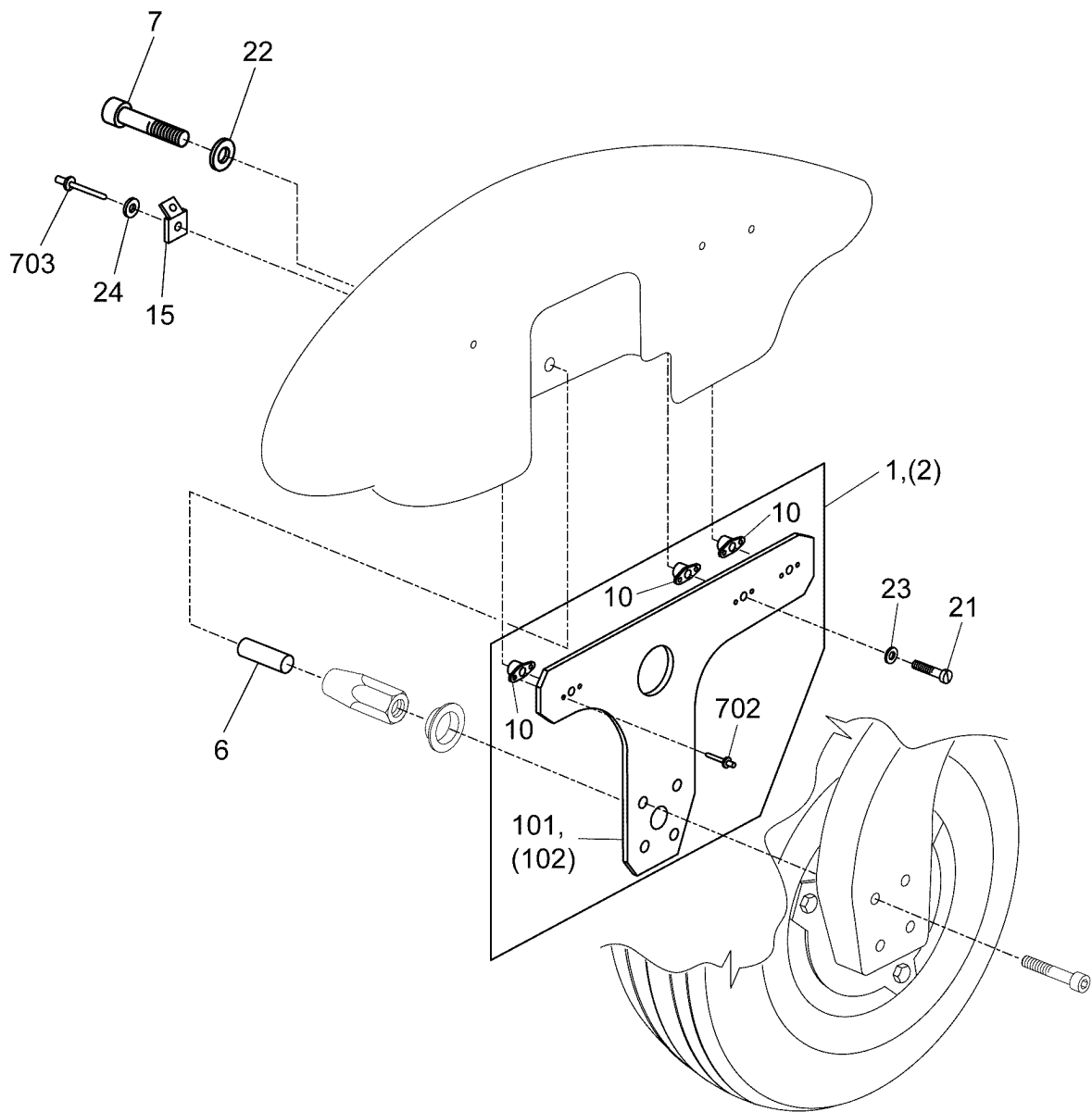
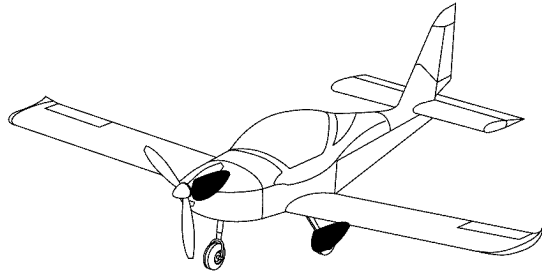
SportStar ^{AV}	LANDING GEAR				5.4
	Wheel pants				
Pos.	Order number	Designation	Qty.	Standard	Note
001	S5 01-35 01	Nose wheel cover	1		
002P	E5 01-21 01	Main wheel cover - LH	1		
002S	S5 30-03 01	Wheel cover L	1		
003P	E5 01-21 02	Main wheel cover - RH	1		
003S	S5 30-03 02	Wheel cover R	1		

SportStar ^{MAX}	LANDING GEAR	5.4.1PLUS
	Main wheel cover attachment	



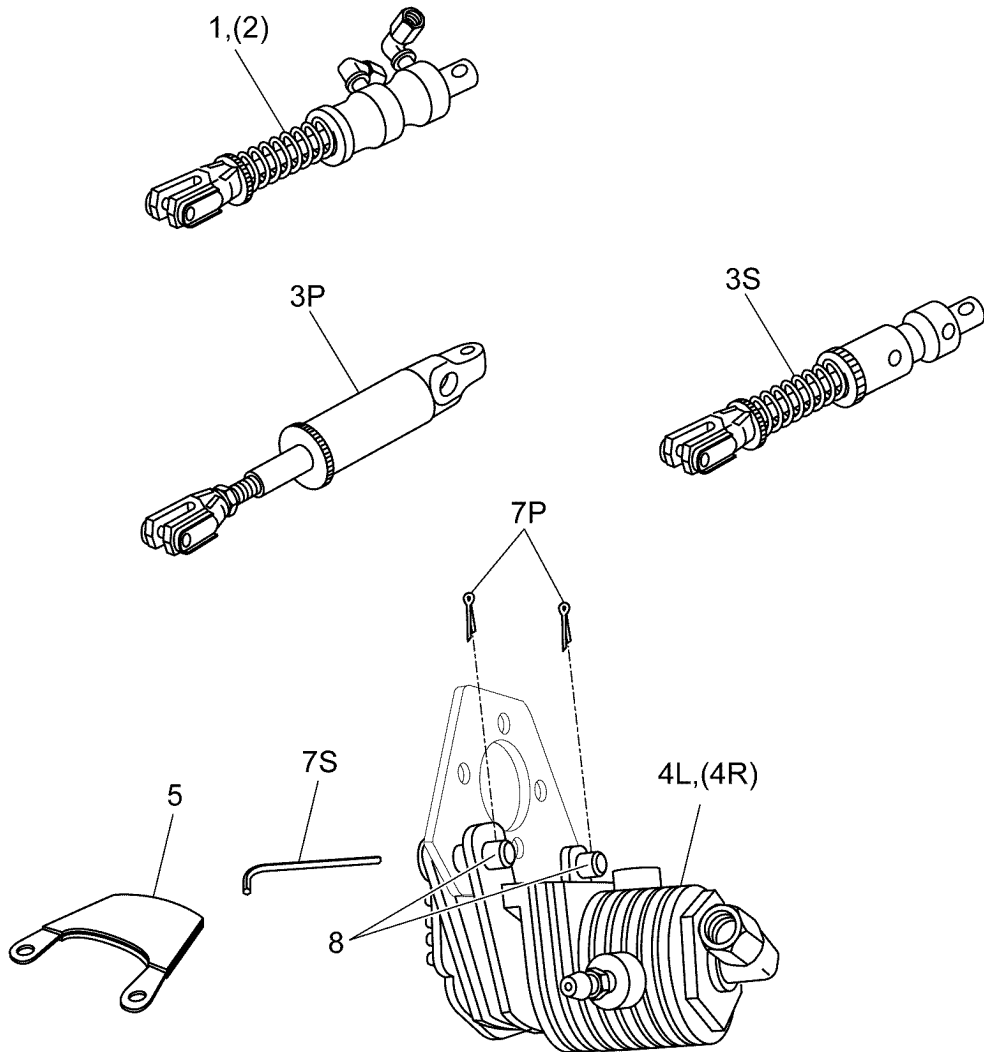
SportStar ^{AV}	LANDING GEAR					5.4.1PLUS
	Main wheel cover attachment					
Pos.	Order number	Designation	Qty.	Standard	Note	
001	E5 20-02 21	Butterfly	2			
006	E5 20-11 21	Spacer	2			
007	765247	Bolt modified	2			
021	51656	Screw M 4x16	16	ECO-FIX		
022	6814	Washer 8.4	2	DIN 125 A		
023	56125	Washer 3.7	16	DIN 125		
026	3084	Nut M 4	16	ONL 3243		

SportStar ^{MAX}	LANDING GEAR	5.4.1SL
	Main wheel cover attachment	



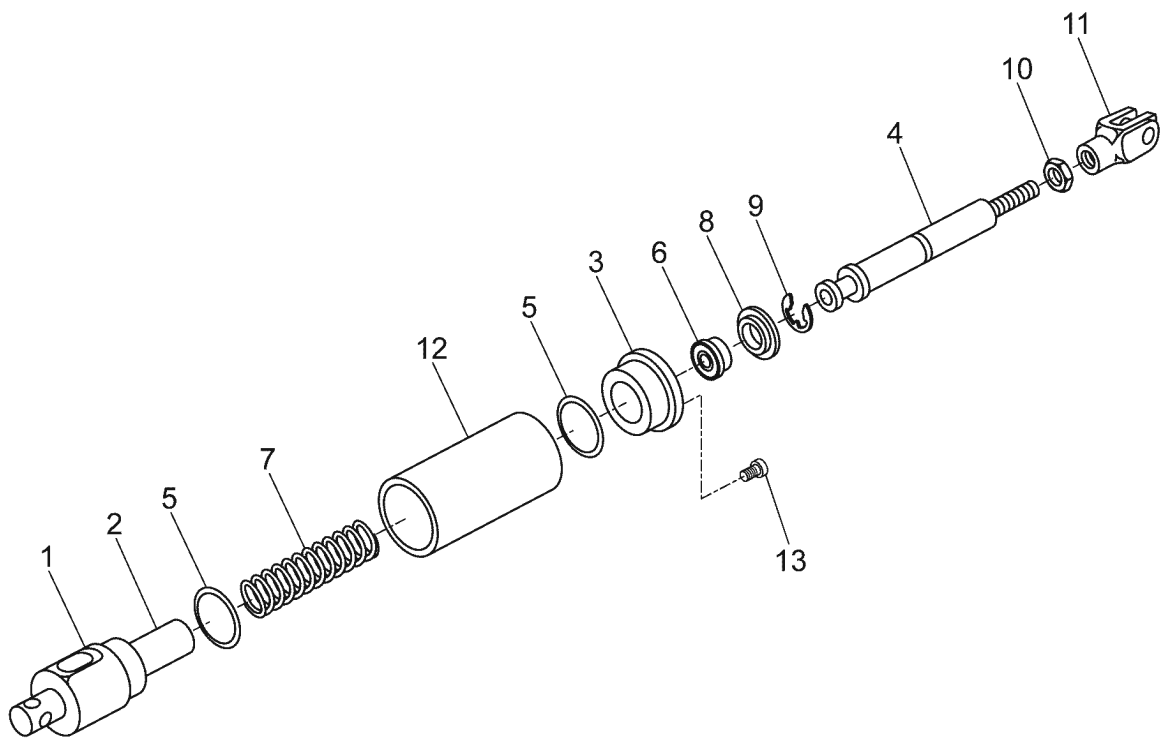
SportStar ^{AVIA}	LANDING GEAR					5.4.1SL
	Main wheel cover attachment					
Pos.	Order number	Designation	Qty.	Standard	Note	
001	S5 30-02 01	Wing-nut completed L	1			
002	S5 30-02 02	Wing-nut completed R	1			
006	E5 20-11 21	Spacer	2			
007	765247	Bolt modified	2			
010	3085	Nut M 5	6	ONL 3243		
015	7769	Connector Faston 6.3x0.8	2	913618.HN 000		
021	43233	Screw M 5x16	6	ISO 7380		
022	6814	Washer 8.4	2	DIN 125 A		
023	63150	Washer 4.3	6	ISO 7089		
024	3124	Washer 4.3	2	CSN 02 1726.15		
101	S5 30-02 21	Wing-nut L	1			
102	S5 30-02 22	Wing-nut R	1			
702	6796	Blind rivet 3.2x9.5	12	AVEX 1604-0412		
703	6794	Blind rivet 4.0x12.7	2	AVEX 1691-0516		

SportStar ^{MAX}	LANDING GEAR	5.5
	Brake system (four pumps system)	



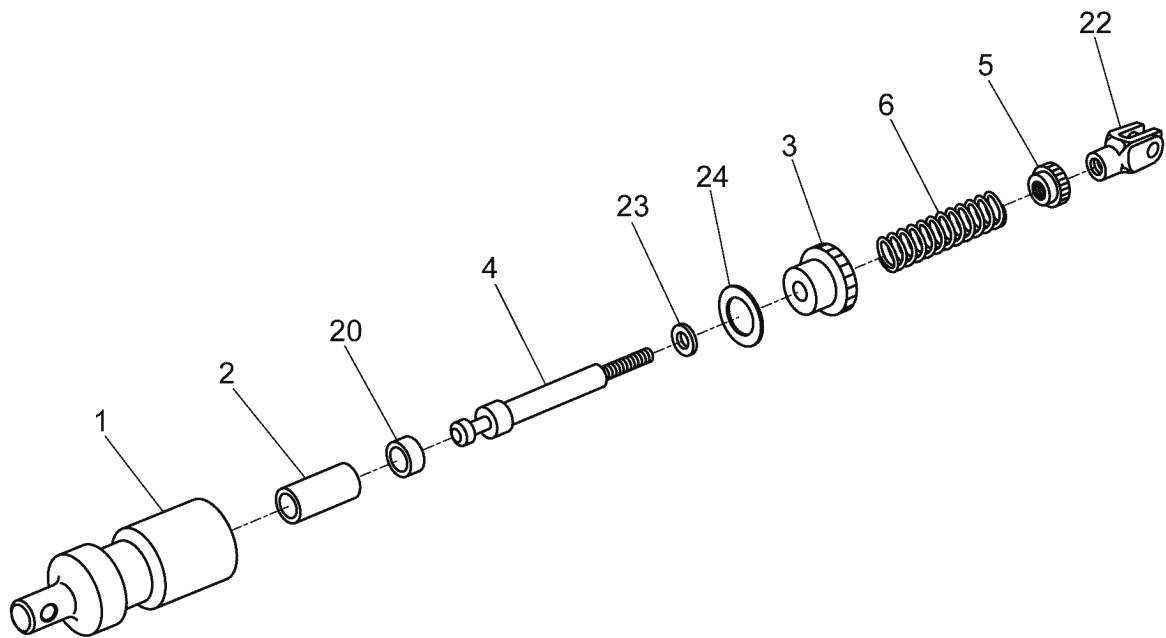
SportStar ^{AVIA}		LANDING GEAR				5.5
Brake system (four pumps system)						
Pos.	Order number	Designation	Qty.	Standard	Note	
001	E5 10-40 01	Dual pump assy LH	1			
002	E5 10-40 02	Dual pump assy RH	1			
003P	E5 10-11 01	Brake pump	2			
003S	S5 20-01 01	Break pump	2			
004L	765260	Brake stirrup LH	1			
004R	765259	Brake stirrup RH	1			
005	E5 50-50 21	Brake pad	2		for one wheel	
007P	37000	Cotter pin 2x14	2	CSN 02 1781.05	for one wheel	
007S	S5 10-13 21	Fuse	1			
008	3029	Pin 8x22	2	ONL 3331.1		

SportStar^{MAX}	LANDING GEAR	5.5.1PLUS
	Brake pump (E5 10-11 01)	



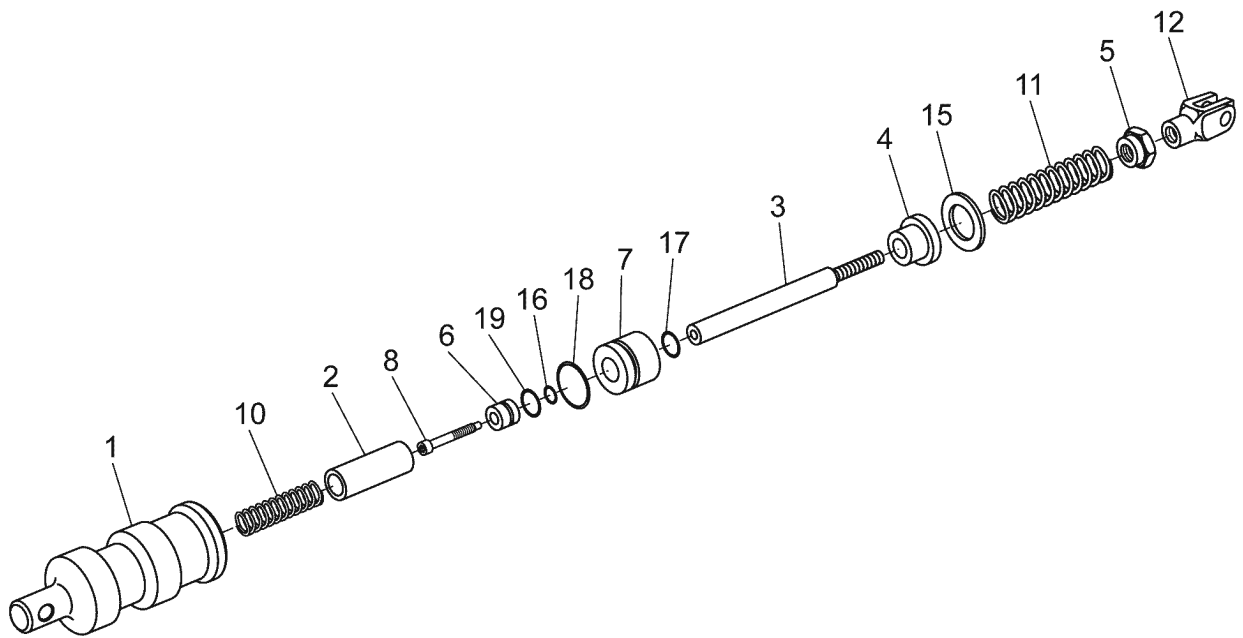
SportStar ^{AM}	LANDING GEAR				5.5.1PLUS
	Brake pump (E5 10-11 01)				
Pos.	Order number	Designation	Qty.	Standard	Note
001	E5 11-01 21	Holder	1		glued with pos. 002
002	E5 11-03 21	Working barrel	1		glued with pos. 001
003	E5 11-05 21	Plug	1		
004	E5 11-06 21	Piston	1		
005	17159	Ring - O 20x1.5	2		
006	13070	Cuff U 11x3x4.5	1	RUBENA 33769	
007	E5 11-02 21	Spring	1		
008	E5 11-07 21	Shim	1		
009	3749	Ring 7	1	CSN 02 2929.15	
010	12474	Nut M 6	1	CSN 02 1403.25	
011	8771	Fork with pin 6x12	1	DIN 71 752 BN 484, BN 482	
012	E5 11-04 21	Cover	1		
013	7750	Screw M 4x5	1	DIN 916-8.8-A2F	

SportStar ^{MAX}	LANDING GEAR	5.5.1SL
	Brake pump (S5 20-01 01)	



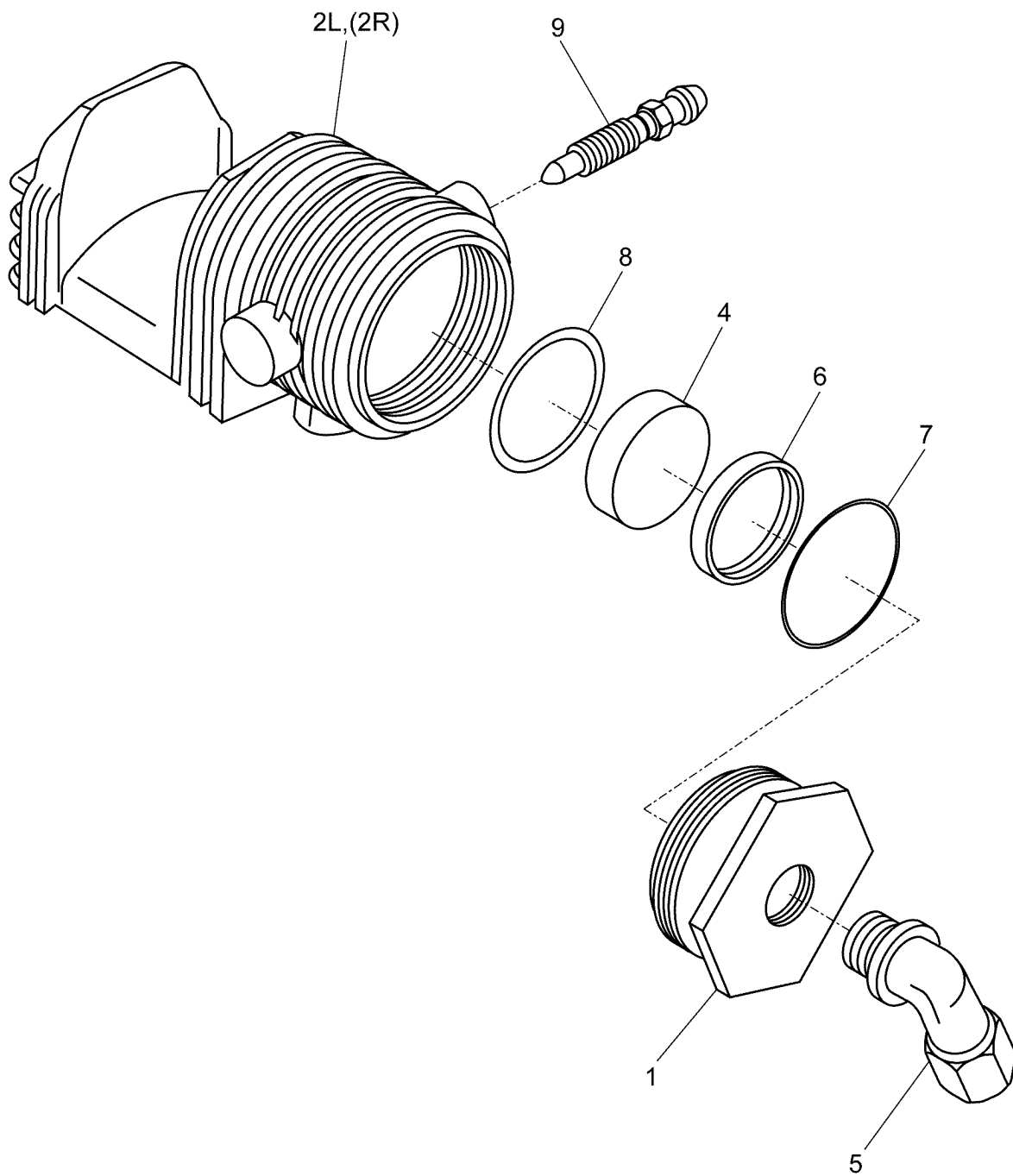
SportStar ^{AM}	LANDING GEAR				5.5.1SL
	Brake pump (S5 20-01 01)				
Pos.	Order number	Designation	Qty.	Standard	Note
001	S5 20-01 21	Pump casing	1		
002	E5 11-03 21	Working barrel	1		
003	S5 20-02 21	Cover	1		
004	S5 20-03 21	Piston	1		
005	E5 10-25 21	Safety nut	1		
006	E5 10-30 21	Spring	1		
020	13070	Cuff U 11x3x4.5	1	RUBENA 33769	
022	8771	Fork with pin 6x12	1	DIN 71 752 BN 484, BN 482	
023	16326	Ring - O 7.3x2.4	1		
024	17159	Ring - O 20x1.5	1		

SportStar ^{MAX}	LANDING GEAR	5.5.2
	Double brake pump (E5 10-40 01/02)	



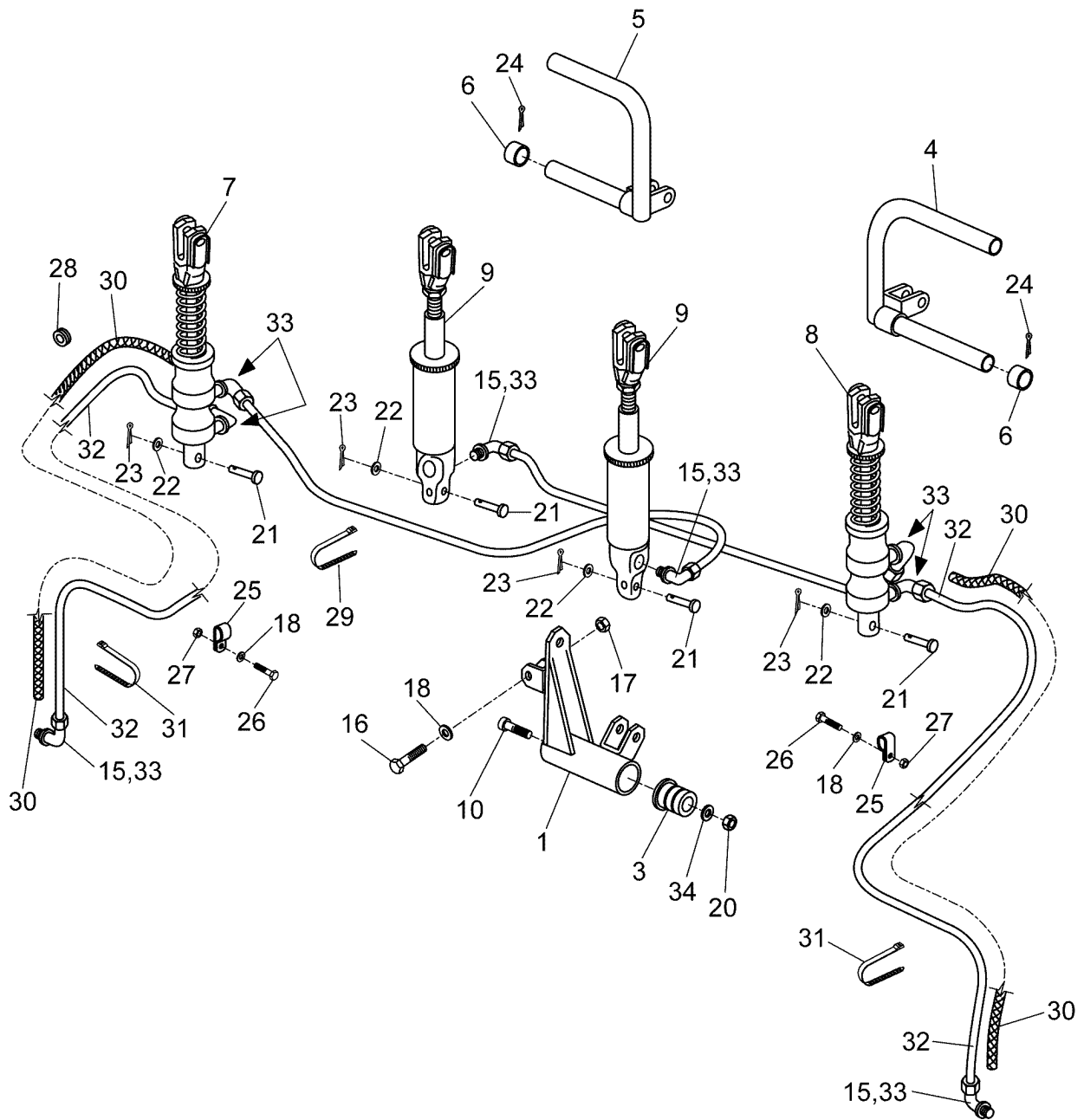
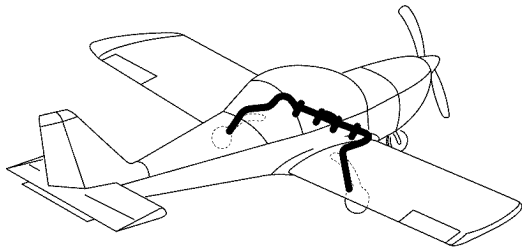
SportStar ^{AM}	LANDING GEAR					5.5.2
	Double brake pump (E5 10-40 01/02)					
Pos.	Order number	Designation	Qty.	Standard	Note	
001	E5 10-21 21	Brake pump housing				
002	E5 10-22 21	Tube				
003	E5 10-23 21	Piston				
004	E5 10-24 21	Cylinder plug				
005	E5 10-25 21	Safety nut				
006	E5 10-26 21	Piston				
007	E5 10-27 21	Brake cylinder filling				
008	E5 10-32 21	Bolt				
010	E5 10-30 21	Spring				
011	E5 10-31 21	Spring				
012	8771	Fork with pin 6x12		DIN 71 752 BN 484, BN 482		
015	16190	Ring lock 18				
016	16324	Ring 4x2				
017	16326	Ring - O 7.3x2.4				
018	16327	Ring 11.3x2.4				
019	16325	Ring 5.6x2.4				

SportStar ^{MAX}	LANDING GEAR	5.5.3
	Brake cylinder	



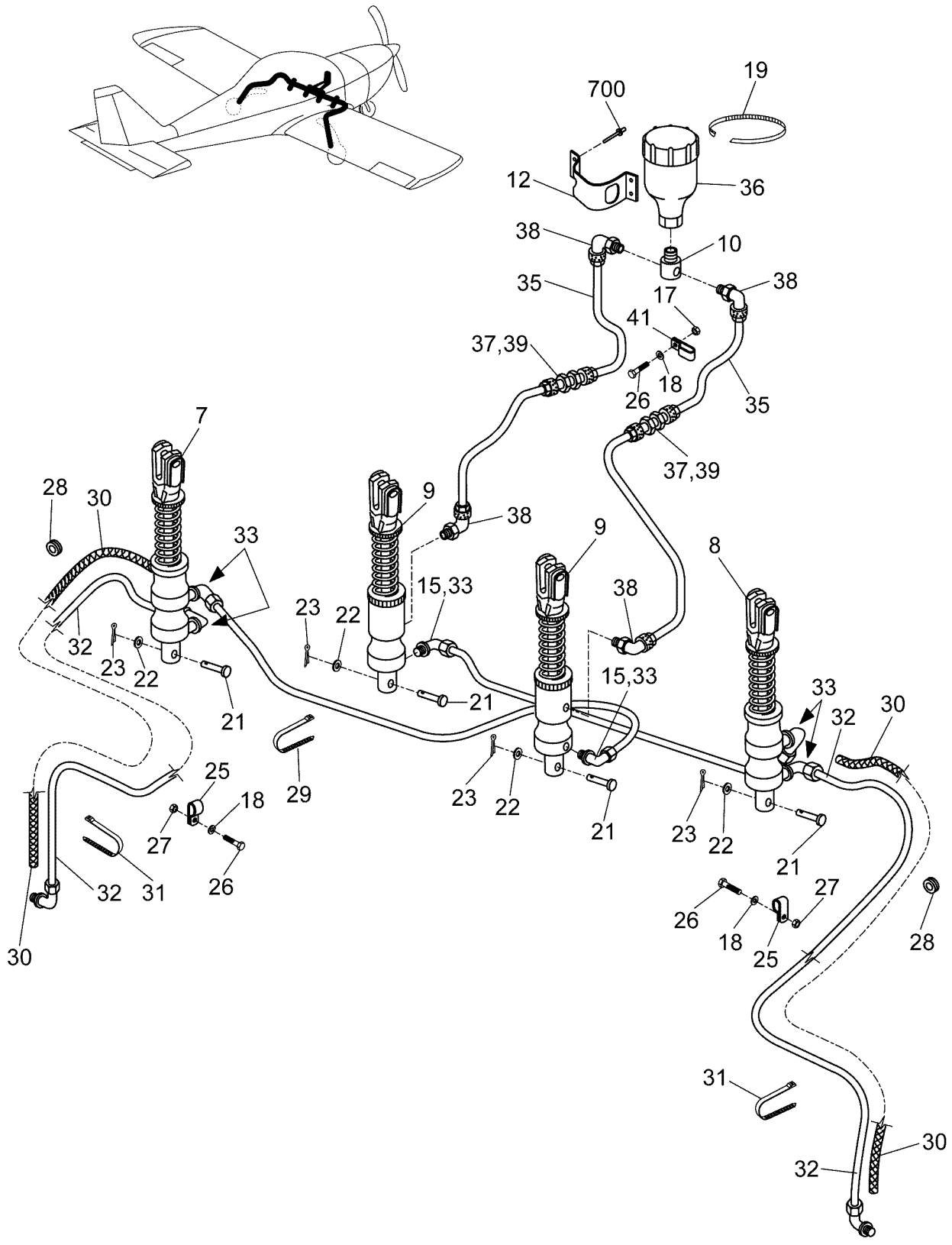
SportStar ^{AVIA}		LANDING GEAR				5.5.3
Brake cylinder						
Pos.	Order number	Designation	Qty.	Standard	Note	
001	765263	Plug	1			
002L	765261	Brake cylinder - housing L	1			
002R	765265	Brake cylinder - housing R	1			
004	765198	Piston	1			
005	11041	Angular connection set	1	CSN 13 7723		
006	7024	Cuff	1	CSN 02 9272		
007	17158	Ring 24x3	1			
008	17157	Ring 25x2	1			
009	19212	Vent screw M 6	1			

SportStar ^{MAX}	LANDING GEAR	5.6PLUS
	Dual brake system	



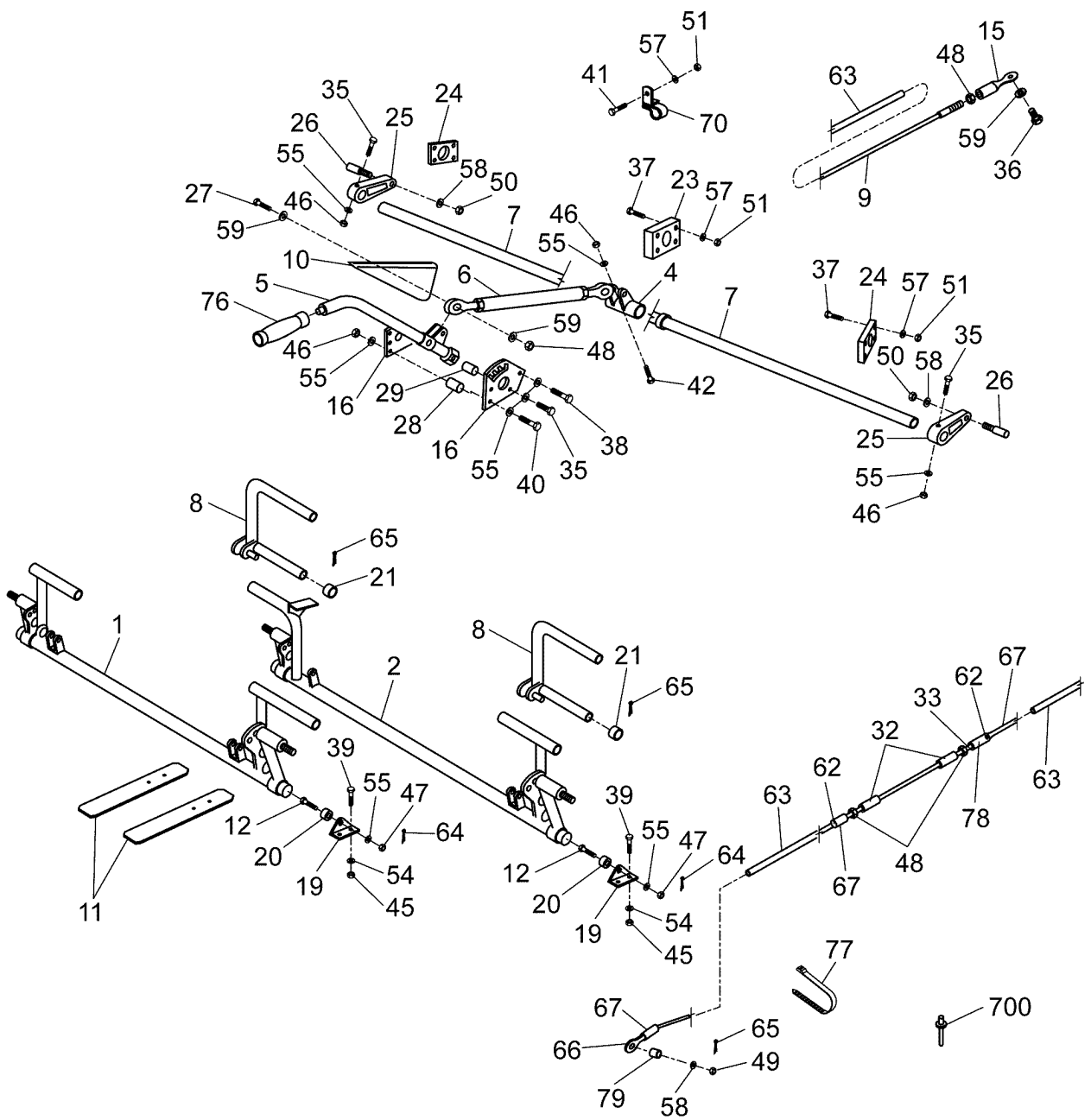
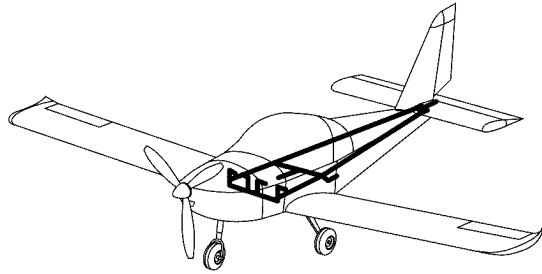
SportStar ^{MAX}		LANDING GEAR				5.6PLUS
		Dual brake system				
Pos.	Order number	Designation	Qty.	Standard	Note	
001	E4 53-01 01	Brake cylinder bracket	1			
003	E4 01-29 21	Bronze bearing	1			
004	E4 01-18 01	Brake pedal	1			
005	E4 01-18 02	Brake pedal	1			
006	E4 01-26 21	Safety ring	2			
007	E5 10-40 01	Dual pump assy LH	1			
008	E5 10-40 02	Dual pump assy RH	1			
009	E5 10-11 01	Brake pump	2			
010	E5 00-30 21	Bolt modified	1			
015	11041	Angular connection set	4	CSN 13 7723		
016	43757	Screw M 4x30	1	ISO 1207		
017	3088	Nut M 4	1	DIN 980 V		
018	6812	Washer 4.3	7	DIN 125A-8		
020	3089	Self locking nut M6	1	DIN 980 8-V		
021	3008	Pin 5x20	4	ONL 3331.1		
022	44870	Washer 5.3	4	DIN 125-1		
023	8530	Split pin 1.6x12	4	CSN 02 1781.05		
024	37002	Split pin 2x20	2	CSN 02 1781.05		
025	3561	Clamp 1x6	6	CSN 02 2706.5		
026	51655	Screw M 4x12	6	ECO-FIX		
027	6980	Nut M 4	6	9408-2415		
028	3781	Bushing 4.5x1	2	CSN 63 3881.3		
029	7531	Fastener band 2.5x98	4	580989.HN 000		
030	8543	Protective spiral 10x1500	2	MON 2701		
031	9754	Fastener band 4.8x360	4	580984.HN 000		
032	7797 (10m)	Brake hose Flexion	2			
033	15456	Rivet 2x0.3x8	8	DIN 7340 A		
034	6813	Washer 6.4	1	DIN 125-8-A2F		

SportStar ^{MAX}	LANDING GEAR	5.6SL
	Brake system	



SportStar ^{AM}		LANDING GEAR				5.6SL
		Brake system				
Pos.	Order number	Designation	Qty.	Standard	Note	
007	E5 10-40 01	Dual pump assy LH	1			
008	E5 10-40 02	Dual pump assy RH	1			
009	S5 20-01 01	Break pump	2			
010	E5 60-02 21	Spacer	1			
012	E5 60-03 21	Bracket	1			
015	11041	Angular connection set	2	CSN 13 7723		
017	3088	Nut M 4	1	DIN 980 V		
018	6812	Washer 4.3	7	DIN 125A-8		
019	3496	Hose clip 50-70	1			
021	3008	Pin 5x20	4	ONL 3331.1		
022	44870	Washer 5.3	4	DIN 125-1		
023	8530	Split pin 1.6x12	4	CSN 02 1781.05		
025	57092	Clamp 1x6	6	AEN 4322.5		
026	51655	Screw M 4x12	7	ECO-FIX		
027	6980	Nut M 4	6	9408-2415		
028	3781	Bushing 4.5x1	2	CSN 63 3881.3		
029	7531	Fastener band 2.5x98	4	580989.HN 000		
030	8543	Protective spiral 10x1500	2	MON 2701		
031	9754	Fastener band 4.8x360	4	580984.HN 000		
032	7797 (10m)	Brake hose Flexion	2			
033	15456	Rivet 2x0.3x8	8	DIN 7340 A		
035	59187 (2.00m)	Hose Aerotec Pa	2			
036	59184	Air gun pot R100	1			
037	59185	Direct panel connection 6/4 - M 10x1	2			
038	59186	Angular connection with external thread 6/4 - 1/8	4			
039	48284	Washer 10.5	4	DIN 125-1A		
041	3562	Clamp 2x6	1	CSN 02 2706.5		
700	11235	Rivet 4x11.5	4	AVINOX		

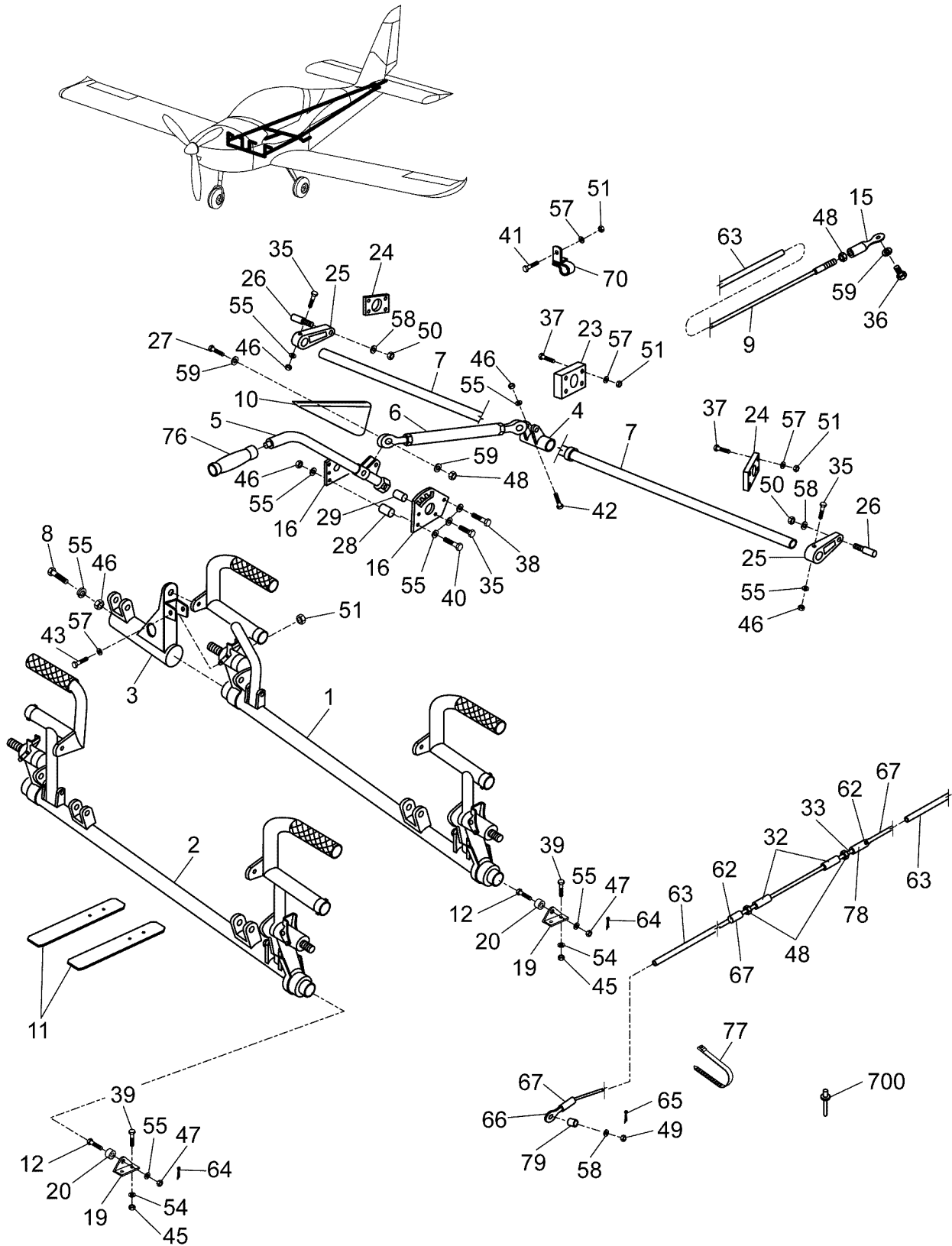
SportStar ^{MAX}	LANDING GEAR	5.7PLUS
	Rudder and flaps control	



SportStar ^{AM}		LANDING GEAR				5.7PLUS
		Rudder and flaps control				
Pos.	Order number	Designation	Qty.	Standard	Note	
001	E4 90-01 02	Completed right rudder pedal	1			
002	E4 90-01 01	Completed left rudder pedal	1			
004	E4 01-08 01	Single arm lever	1			
005	S4 01-16 01	Flap control lever-assy	1			
006	E4 01-17 01	Rod 12	1			
007	S4 01-08 01	Torison tube	1			
008	E4 01-18 01	Brake pedal	2			
009	E4 00-03 01	Rope	2			
010	E4 01-45 01	Control stick sleeve	1			
011	E1 02-23 21	Outer washer	2			
012	E4 75-82 21	Bolt modified	4			
015	E4 01-49 21	Cable termination	2			
016	E4 01-01 21	Device body	2			
019	E4 01-27 22	Pedal holder	4			
020	E4 01-29 21	Bronze bearing	4			
021	E4 01-26 21	Safety ring	2			
023	764407	Bearing	1			
024	E4 85-01 21	Bearing	2			
025	764403	Lever	2			
026	764411	Excentric pin	2			
027	764453	Pin	1			
028	764451	Spacer	1			
029	764452	Spacer	1			
032	S4 02-42 21	Bolt	4			
033	S4 02-43 21	Bolt	4			
035	2891	Screw M 6x41	3	ONL 3120.24		
036	2834	Screw M 6x23	3	ONL 3120.14		
037	44266	Screw M 4x20	12	ISO 4017		
038	21916	Screw M 6x12	2	DIN 7991		
039	43233	Screw M 5x16	8	ISO 7380		
040	2892	Screw M 6x43	1	ONL 3120.24		
041	36556	Screw M 4x10	4	CSN 02 1103.24		
042	2839	Screw M 6x33	1	ONL 3120.14		
045	7494	Nut M 5	4	DIN 980 V		
046	3089	Self locking nut M6	7	DIN 980 8-V		
047	3070	Nut M 6	5	CSN 02 1413.44		
048	12474	Nut M 6	7	CSN 02 1403.25		
049	3071	Nut M 8	2	CSN 02 1413.44		
050	7810	Nut M 8	2	DIN 980 V		

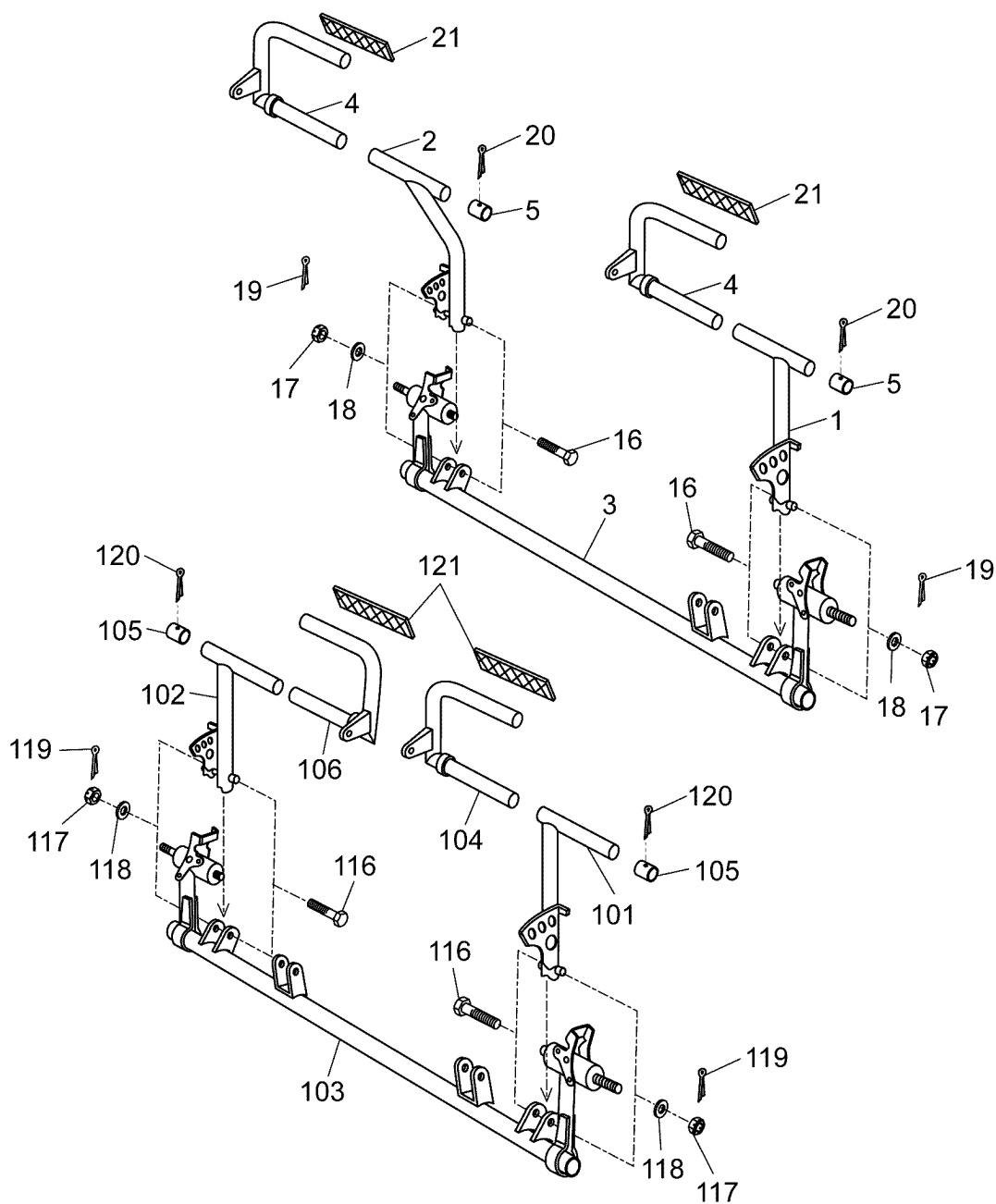
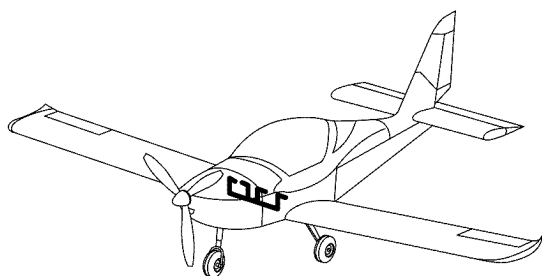
SportStar ^{AM}		LANDING GEAR				5.7PLUS
Rudder and flaps control						
Pos.	Order number	Designation	Qty.	Standard	Note	
051	3088	Nut M 4	16	DIN 980 V		
054	44870	Washer 5.3	4	DIN 125-1		
055	6813	Washer 6.4	26	DIN 125-8-A2F		
057	6812	Washer 4.3	28	DIN 125A-8		
058	6814	Washer 8.4	8	DIN 125 A		
059	8528	Washer 6.2	4	ONL 3288.1		
062	E4 01-50 21	Cable	4			
063	8483 (4m)	Tube 8/1	1			
064	8530	Split pin 1.6x12	5	CSN 02 1781.05		
065	37002	Split pin 2x20	4	CSN 02 1781.05		
066	8054	Eyepiece 3	2	CSN 02 4490.7		
067	8256	Tost clamp (nicopress clamp)	6			
070	55735	Tie 1x8	2	AEN 3488.2		
076	7253	Bicycle rubber grip	1			
077	13392	Fastener band 2.5x98	4	PLT1M-C		
078	3992	Insulative hose	4			
079	E4 01-65 21	Bush	2			
700	6793	Blind rivet 3.2x11.2	10	AVEX 1691-0414		

SportStar ^{MAX}	LANDING GEAR	5.7SL
	Rudder and flaps control	



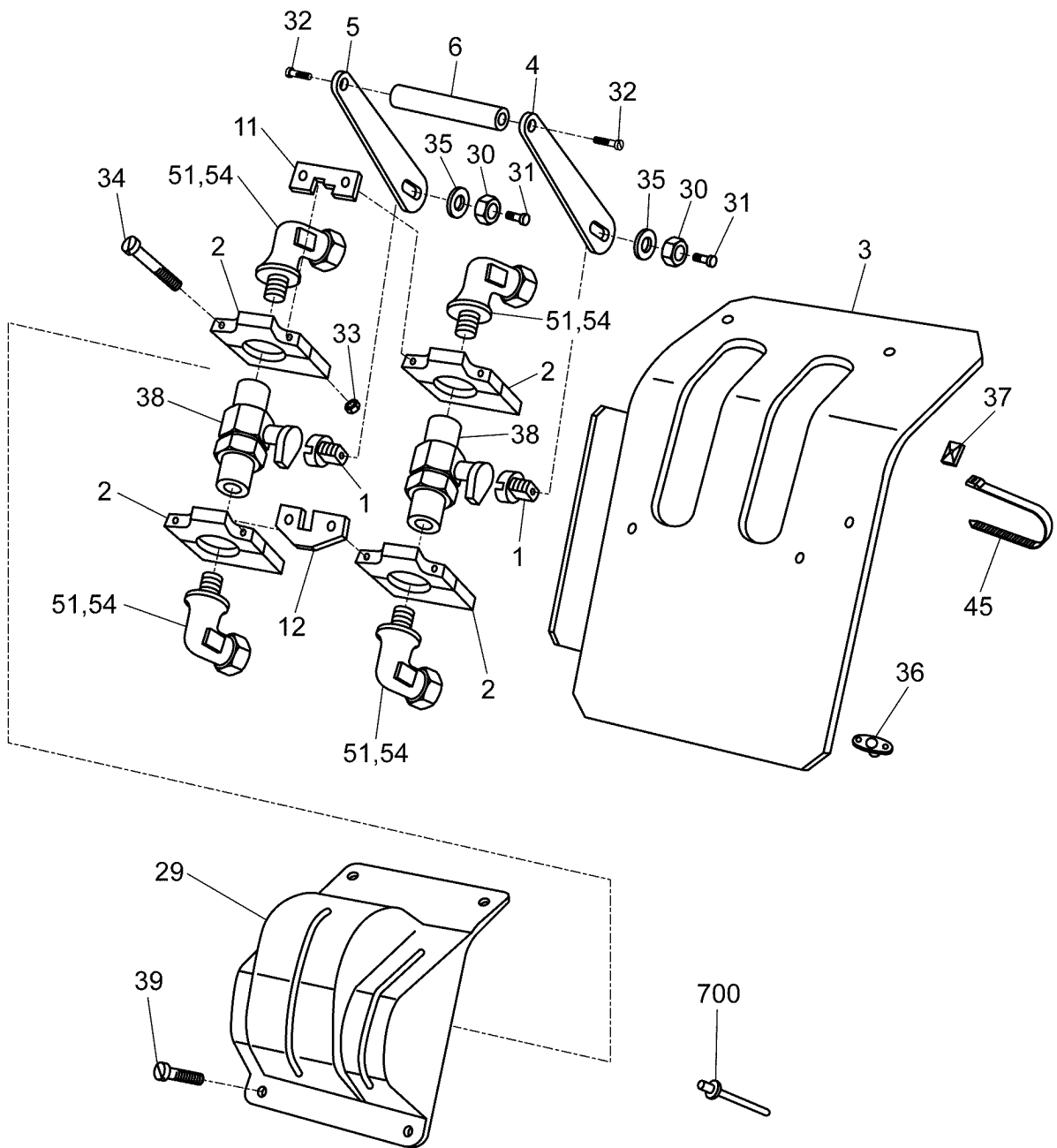
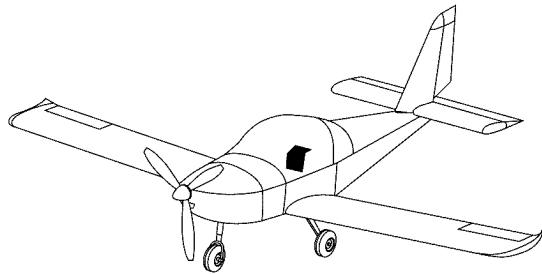
SportStar ^{AM}		LANDING GEAR				5.7SL
Rudder and flaps control						
Pos.	Order number	Designation	Qty.	Standard	Note	
001	E4 95-00 01	Pedal assy L	1			
002	E4 96-00 01	Pedal assy R	1			
003	E4 90-10 01	Brake cylinder console	1			
004	E4 01-08 01	Single arm lever	1			
005	S4 01-16 01	Flap control lever-assy	1			
006	E4 01-17 01	Rod 12	1			
007	S4 01-08 01	Torison tube	1			
008	E5 00-30 21	Bolt modified	1			
009	E4 00-03 01	Rope	2			
010	E4 01-45 01	Control stick sleeve	1			
011	E1 02-23 21	Outer washer	2			
012	E4 75-82 21	Bolt modified	3			
015	E4 01-49 21	Cable termination	2			
016	E4 01-01 21	Device body	2			
019	E4 01-27 22	Pedal holder	4			
020	E4 01-29 21	Bronze bearing	5			
023	764407	Bearing	1			
024	E4 85-01 21	Bearing	2			
025	764403	Lever	2			
026	764411	Excentric pin	2			
027	764453	Pin	1			
028	764451	Spacer	1			
029	764452	Spacer	1			
032	S4 02-42 21	Bolt	4			
033	S4 02-43 21	Bolt	4			
035	2891	Screw M 6x41	3	ONL 3120.24		
036	2834	Screw M 6x23	3	ONL 3120.14		
037	44266	Screw M 4x20	12	ISO 4017		
038	21916	Screw M 6x12	2	DIN 7991		
039	43233	Screw M 5x16	8	ISO 7380		
040	2892	Screw M 6x43	1	ONL 3120.24		
041	36556	Screw M 4x10	4	CSN 02 1103.24		
042	2839	Screw M 6x33	1	ONL 3120.14		
043	43757	Screw M 4x30	1	ISO 1207		
045	7494	Nut M 5	4	DIN 980 V		
046	3089	Self locking nut M6	8	DIN 980 8-V		
047	3070	Nut M 6	5	CSN 02 1413.44		
048	52041	Nut M 6	7	ISO 4035		
049	3071	Nut M 8	2	CSN 02 1413.44		

SportStar ^{AM}		LANDING GEAR				5.7SL
		Rudder and flaps control				
Pos.	Order number	Designation	Qty.	Standard	Note	
050	7810	Nut M 8	2	DIN 980 V		
051	3088	Nut M 4	17	DIN 980 V		
054	44870	Washer 5.3	4	DIN 125-1		
055	6813	Washer 6.4	28	DIN 125-8-A2F		
057	6812	Washer 4.3	29	DIN 125A-8		
058	6814	Washer 8.4	8	DIN 125 A		
059	8528	Washer 6.2	4	ONL 3288.1		
062	E4 01-50 21	Cable	4			
063	8483 (4.00m)	Short tube 8x1	1			
064	8530	Split pin 1.6x12	5	CSN 02 1781.05		
065	37002	Split pin 2x20	2	CSN 02 1781.05		
066	8054	Eyepiece 3	2	CSN 02 4490.7		
067	8256	Tost clamp (nicopress clamp)	6			
070	55735	Tie 1x8	2	AEN 3488.2		
076	7523	Gripe	1			
077	13392	Fastener band 2.5x98	4	PLT1M-C		
078	53852 (0.40m)	Shrinking hose RNF-3000	1			
079	E4 01-65 21	Bush	2			
700	6793	Blind rivet 3.2x11.2	10	AVEX 1691-0414		



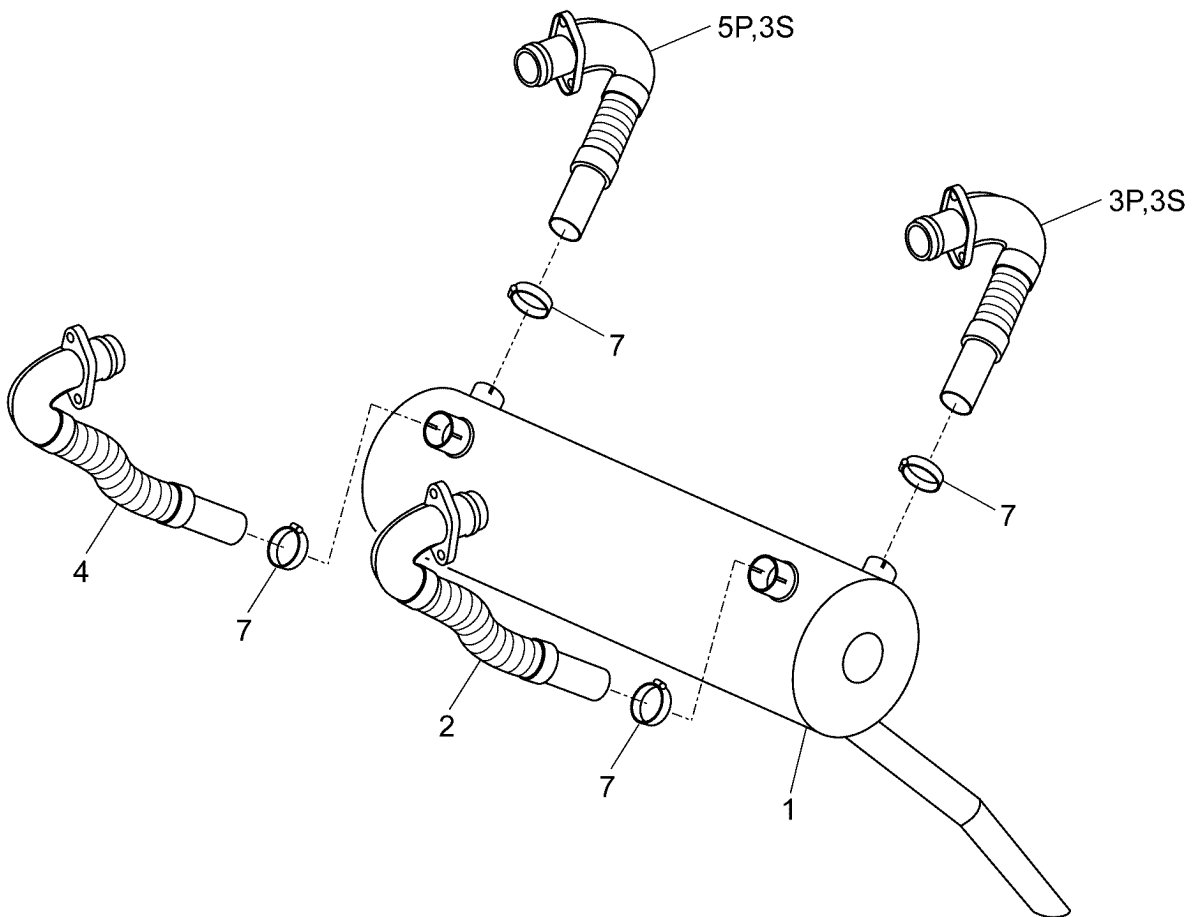
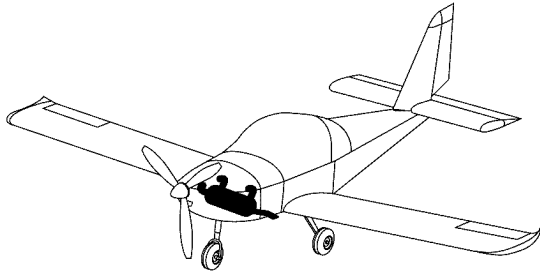
SportStar ^{AM}		LANDING GEAR				5.7.1SL
		Pedal assy LH (E4 95-00 01), pedal assy RH (E4 96-00 01)				
Pos.	Order number	Designation	Qty.	Standard	Note	
001	E4 53-55 01	Pedal LL	1			
002	E4 90-12 01	Pedal RL	1			
003	E4 95-01 01	Break body LH	1			
004	E4 40-10 01	Brake pedal L	2			
005	E4 01-26 21	Safety ring	2			
016	2865	Bolt M 8x41	2	ONL 3120.14		
017	8824	Nut M 8	2	CSN 02 1412.25		
018	6814	Washer 8.4	2	DIN 125 A		
019	15538	Split pin 2x18	2	CSN 02 1781.05		
020	37002	Split pin 2x20	2	CSN 02 1781.05		
021	61488	Antiskid belt Safety walk TM 76x1400	2			
101	E4 57-58 01	Pedal LR	1			
102	E4 57-59 01	Pedal RR	1			
103	E4 96-01 01	Break body RH	1			
104	E4 40-10 01	Brake pedal L	1			
105	E4 01-26 21	Safety ring	2			
106	E4 40-10 02	Brake pedal R	1			
116	2865	Bolt M 8x41	2	ONL 3120.14		
117	8824	Nut M 8	2	CSN 02 1412.25		
118	6814	Washer 8.4	2	DIN 125 A		
119	15538	Split pin 2x18	2	CSN 02 1781.05		
120	37002	Split pin 2x20	2	CSN 02 1781.05		
121	61488	Antiskid belt Safety walk TM 76x1400	2			

SportStar ^{MAX}	LANDING GEAR	5.8
	Parking brake	



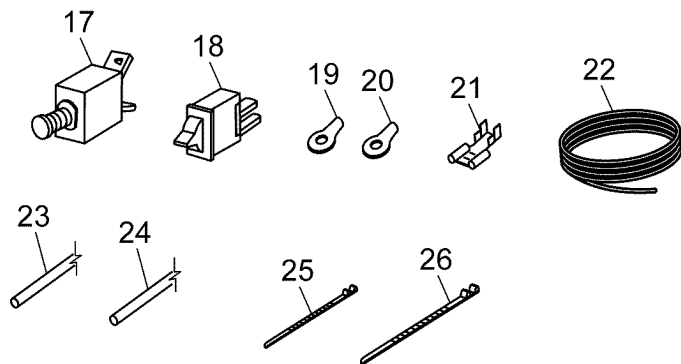
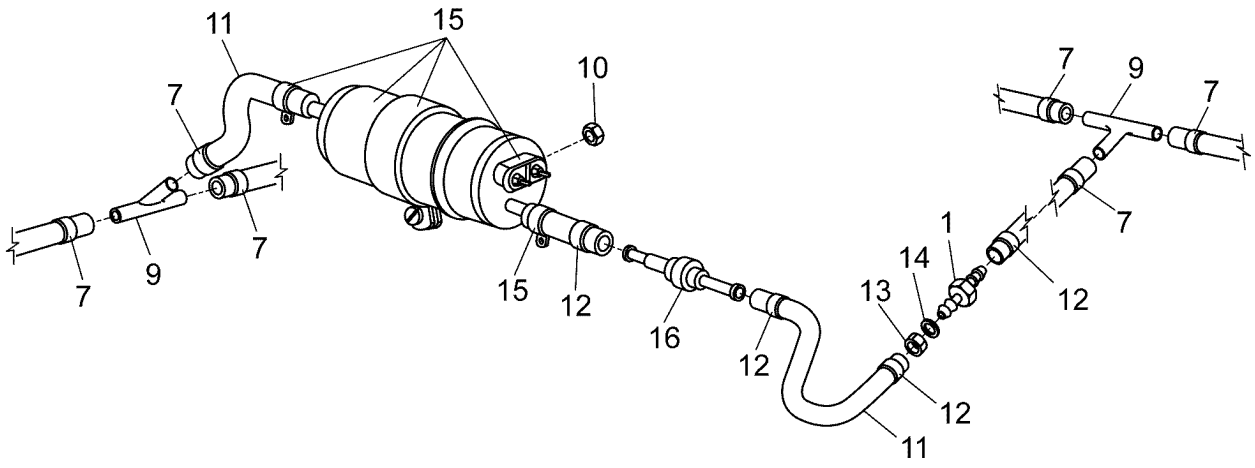
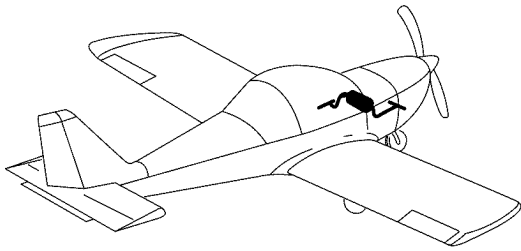
SportStar ^{AM}		LANDING GEAR				5.8
Parking brake						
Pos.	Order number	Designation	Qty.	Standard	Note	
001	E5 00-11 21	Joint	2			
002	E5 00-21 01	Joint ass.	4			
003	S5 00-16 01	Under cover	1			
004	E5 00-14 21	Lever L	1			
005	E5 00-14 22	Lever R	1			
006	E5 00-15 21	Rail	1			
011	E5 00-28 21	Upper stop	1			
012	E5 00-29 21	Under stop	1			
029	S5 00-18 01	Couver of parking brake	1			
030	3058	Nut M 10	2	CSN 02 1413.24		
031	1817	Screw M 3x25	2	CSN 02 1131.24		
032	6815	Screw M 4x16	2	DIN 7991		
033	3083	Nut M 4	6	ONL 3241		
034	1832	Screw M 4x28	8	CSN 02 1131.24		
035	3160	Washer 10.2	2	ONL 3288.2		
036	3084	Nut M 4	3	ONL 3243		
037	51213	Clamp self-adhesive	1			
038	13516	Brake valve with inner thread	2	SER. 6400		
039	51655	Screw M 4x12	10	ECO-FIX		
045	7531	Fastener band 2.5x98	10	580989.HN 000		
051	11041	Angular connection set	4	CSN 13 7723		
054	15456	Rivet 2x0.3x8	4	DIN 7340 A		
700	6796	Blind rivet 3.2x9.5	18	AVEX 1604-0412		

SportStar ^{MAX}	POWER UNIT	6.1
	Exhaust system	



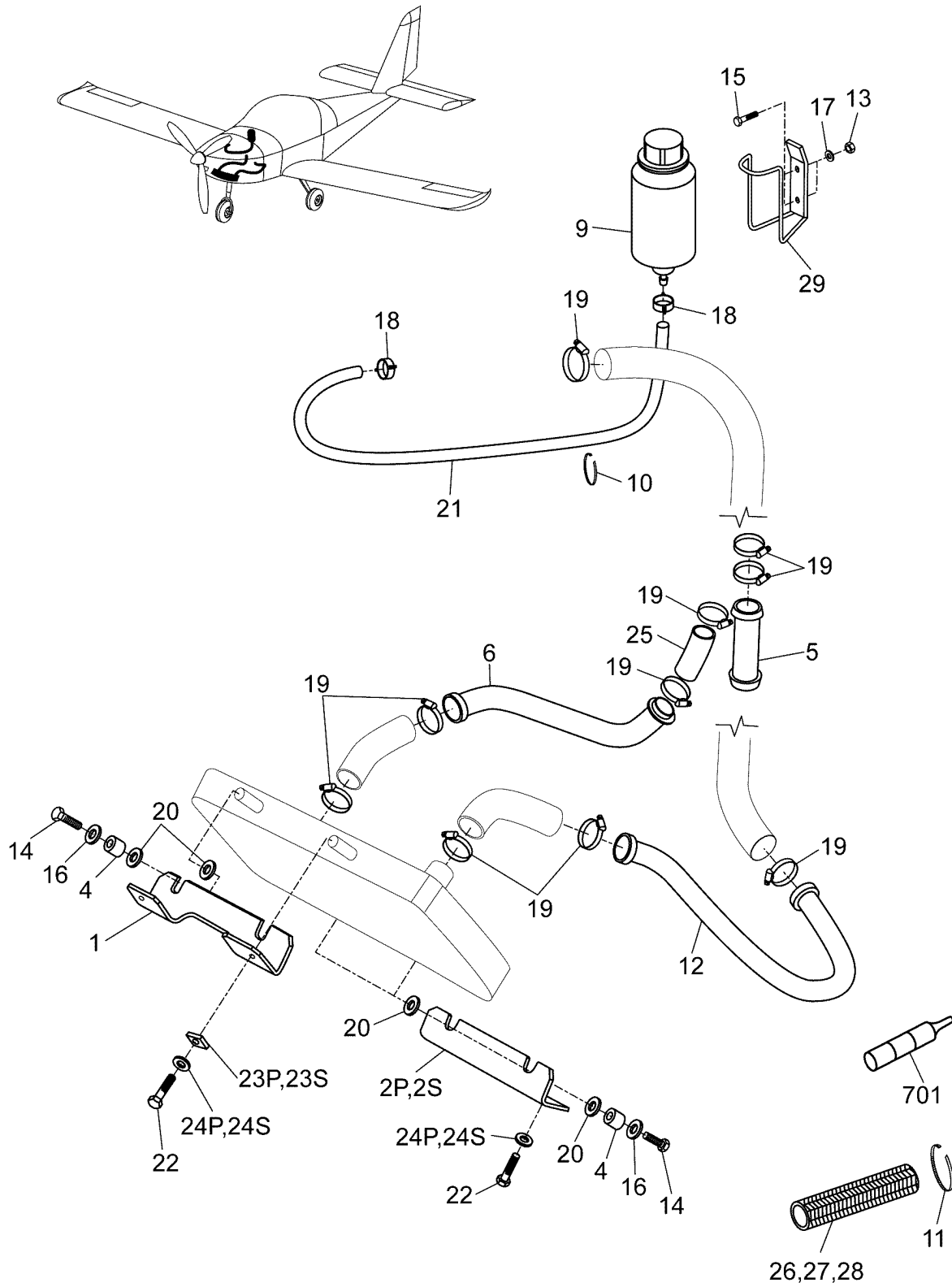
SportStar ^{MAX}		POWER UNIT				6.1
Exhaust system						
Pos.	Order number	Designation	Qty.	Standard	Note	
001	766521	Exhaust muffler	1			
002	E6 10-16 01	LH front exhaust - gas tube	1			
003P	E6 10-17 01	LH rear exhaust - gas tube	1			
003S	E6 10-18 01	Rear exhaust	2			
004	E6 10-16 02	RH front exhaust - gas tube	1			
005P	E6 10-17 02	RH rear exhaust - gas tube	1			
007	7674	Clamp M08	4			

SportStar ^{MAX}	POWER UNIT	6.2
	Auxiliary fuel pump installation	



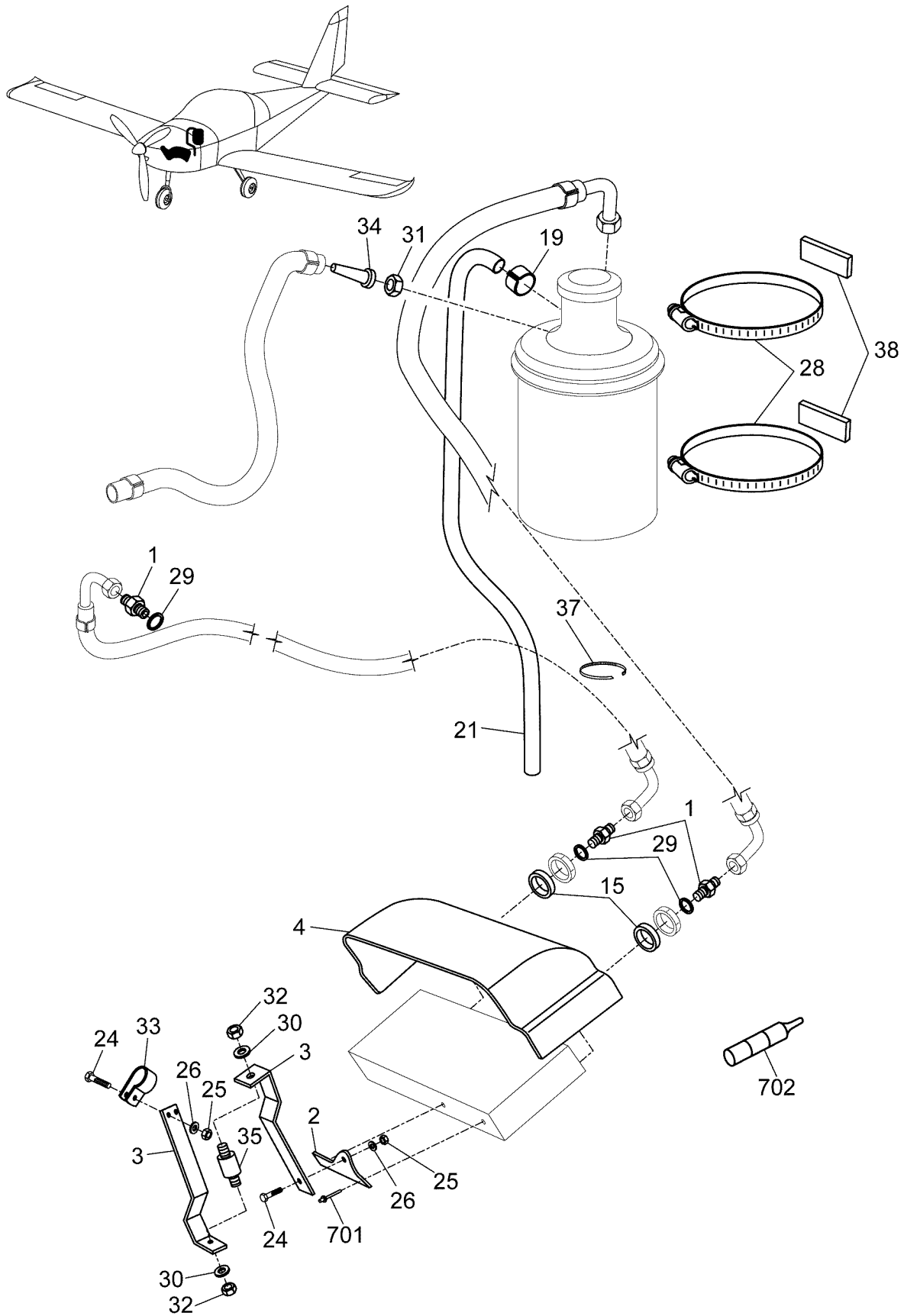
SportStar ^{AM}		POWER UNIT				6.2
Auxiliary fuel pump installation						
Pos.	Order number	Designation	Qty.	Standard	Note	
001	766406	Bushing (in firewall)	1			
007	3740	Clip Cobra 11/7	6			
009	3861	Distributor MON 3501	2			
010	3089	Self locking nut M6	1	DIN 980 8-V		
011	7578 (1.00m)	Hose for engine fuels FUB 386	1			
012	7838	Clip Cobra 12/8	4			
013	46020	Nut M 10	1	ISO 4035		
014	48284	Washer 10.5	1	DIN 125-1A		
015	12816	Fuel pump Pierburg 12V	1			
016	12858	Fuel one-way check valve	1			
017	49661	Circuit braker 2TC2-3	1			
018	13503	Switch 1PDT	1	1811.1102		
019	11717	Cable eye	3			
020	12021	Cable eye	1			
021	13471	Faston 4.8	2	AEG22-16		
022	12116 (3.80m)	Wire AE22	1			
023	12127 (1.00m)	Shrinking hose HFT - 333	1			
024	12125 (0.04m)	Shrinking hose HFT - 333	1			
025	13392	Fastener band 2.5x98	10	PLT1M-C		
026	13393	Cable tie 3.6x142	5	PLT1.5I-C		

SportStar ^{MAX}	POWER UNIT	6.3
	Water cooling	



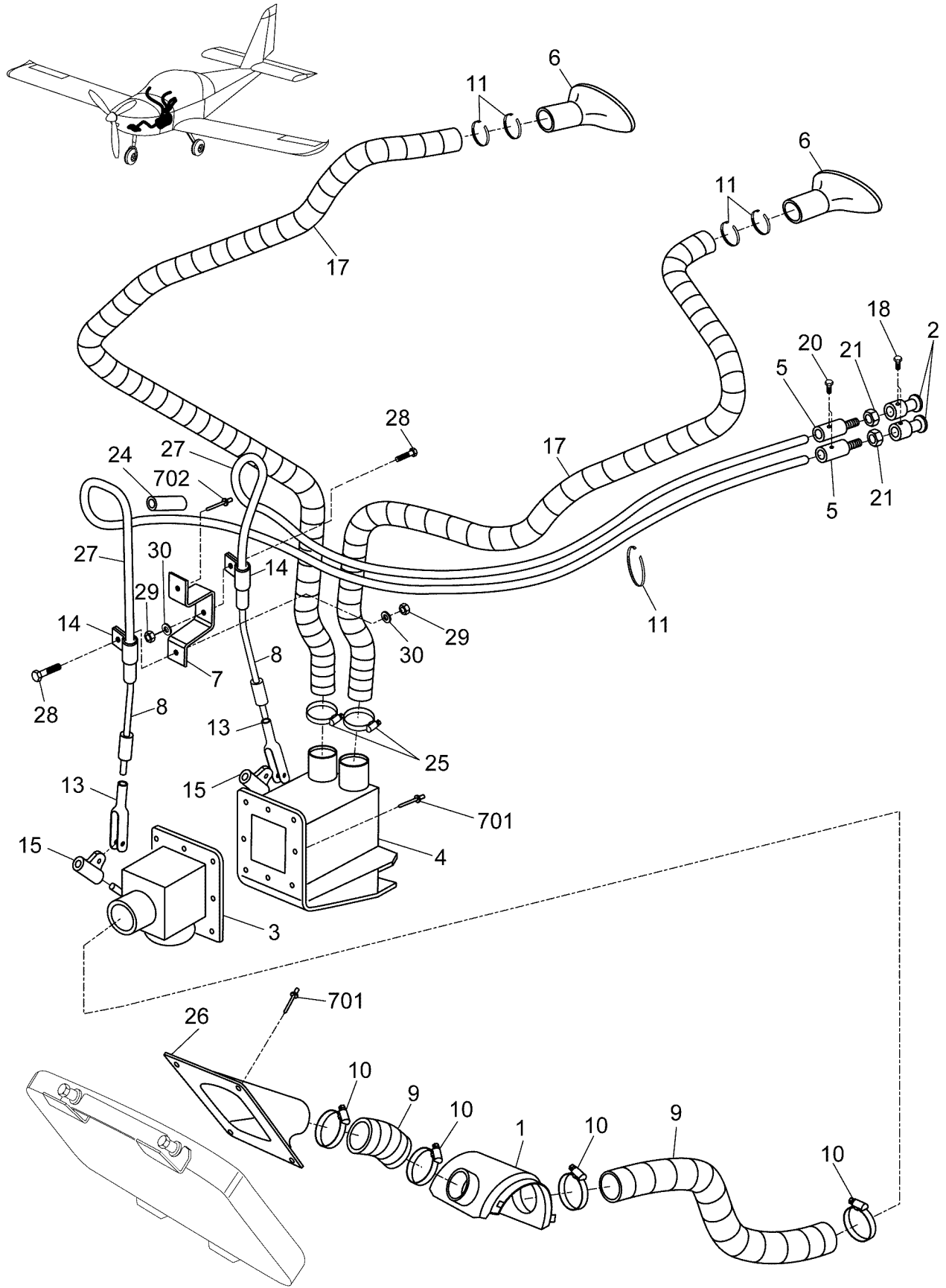
SportStar ^{AM}		POWER UNIT				6.3
		Water cooling				
Pos.	Order number	Designation	Qty.	Standard	Note	
001	E6 55-57 01	Holder lower assembly	1			
002P	E6 55-56 01	Holder upper assembly	1			
002S	S6 14-11 01	Holder upper assembly	1			
004	766556	Spacing tube	4			
005	766557	Connector	1			
006	E6 14-11 21	Tuber R	1			
009	E6 14-13 01	Expansion system pot	1			
010	13393	Cable tie 3.6x142	40	PLT1.5I-C		
011	9754	Fastener band 4.8x360	14	580984.HN 000		
012	E6 14-10 21	Tube L	1			
013	8495	Nut M 4	2	DIN 985		
014	E6 14-14 21	Bolt	4			
015	57924	Bolt M 4x8	2	ECO-FIX		
016	7901	Washer 6.4	4	CSN 02 1726.15		
017	6812	Washer 4.3	8	DIN 125A-8		
018	7838	Clip Cobra 12/8	2			
019	3495	Hose clip 20-32	10			
020	48284	Washer 10.5	8	DIN 125-1A		
021	7578 (0.60m)	Hose for engine fuels FUB 386	1			
022	51656	Screw M 4x16	6	ECO-FIX		
023P	E6 14-12 21	Washer	2			
023S	E6 14-12 21	Washer	4			
024P	56125	Washer 3.7	6	DIN 125		
024S	56125	Washer 3.7	4	DIN 125		
025	26229 (0.30m)	Rubber hose for water cooler	1			
026	49496 (0.80m)	Hose Hilcoflex	1			
027	49497 (0.60m)	Hose Hilcoflex	1			
028	49537 (0.20m)	Hose Hilcoflex	1			
029	7866	Bottle holder	1			
701	11033	Glue Loctite 406	1			

SportStar ^{MAX}	POWER UNIT	6.4
	Oil installation R 912S	



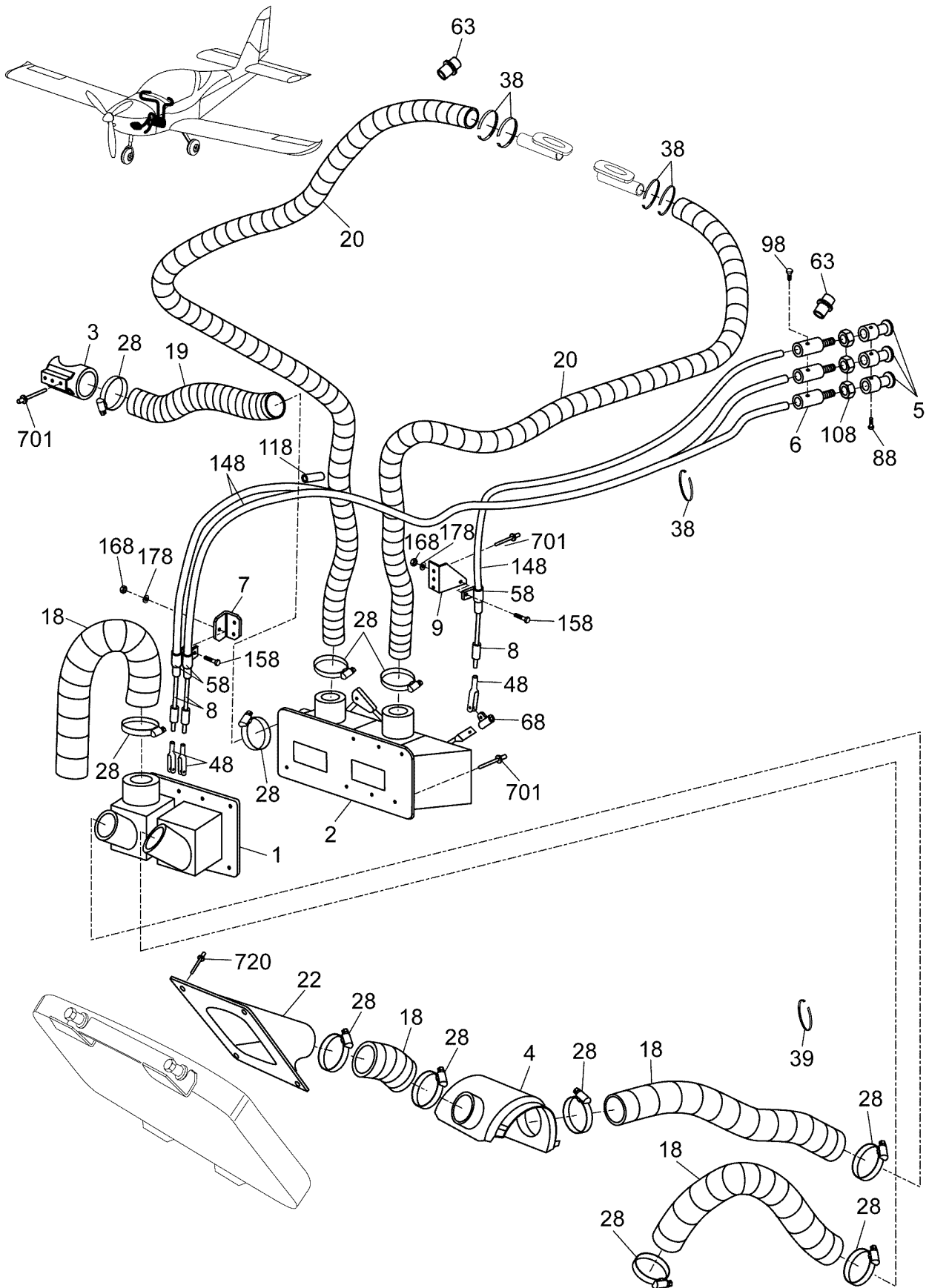
SportStar ^{AM}		POWER UNIT				6.4
		Oil installation R 912S				
Pos.	Order number	Designation	Qty.	Standard	Note	
001	E6 10-06 21	Reduction 14-18	3			
002	E6 65-04 21	Cooler holder	1			
003	E6 65-05 21	Cooler strut	2			
004	E6 10-31 01	Oil cooler inlet	1			
015	E6 10-29 21	Washer	2			
019	3741	Clip Cobra 14/8	1			
021	12341 (0.50m)	Hose for engine fuels FUB 386	1			
024	1839	Bolt M 5x16	2	CSN 02 1131.24		
025	7494	Nut M 5	2	DIN 980 V		
026	44870	Washer 5.3	2	DIN 125-1		
028	3422	Clip Torro 140-160	2			
029	3470	Sealing ring 14x18	3	CSN 02 9310.3		
030	6813	Washer 6.4	2	DIN 125-8-A2F		
031	3440	Nut M 10	1	CSN 13 7952.41		
032	3089	Self locking nut M6	2	DIN 980 8-V		
033	3565	Clamp 1x16	1	CSN 02 2706.1		
034	5682	Sealing ring 10	1	CSN 13 7948		
035	7913	Shock mount	1			
037	13392	Fastener band 2.5x98	5	PLT1M-C		
038	13476	S1 rubber - oil proof	1			
701	6472	Rivet 3.2x7.9	2	AVEX 1691-0410		
702	12689	Glue Loctite 577	1			

SportStar ^{MAX}	POWER UNIT	6.5PLUS
	Heating + both sides windshield air blowing	



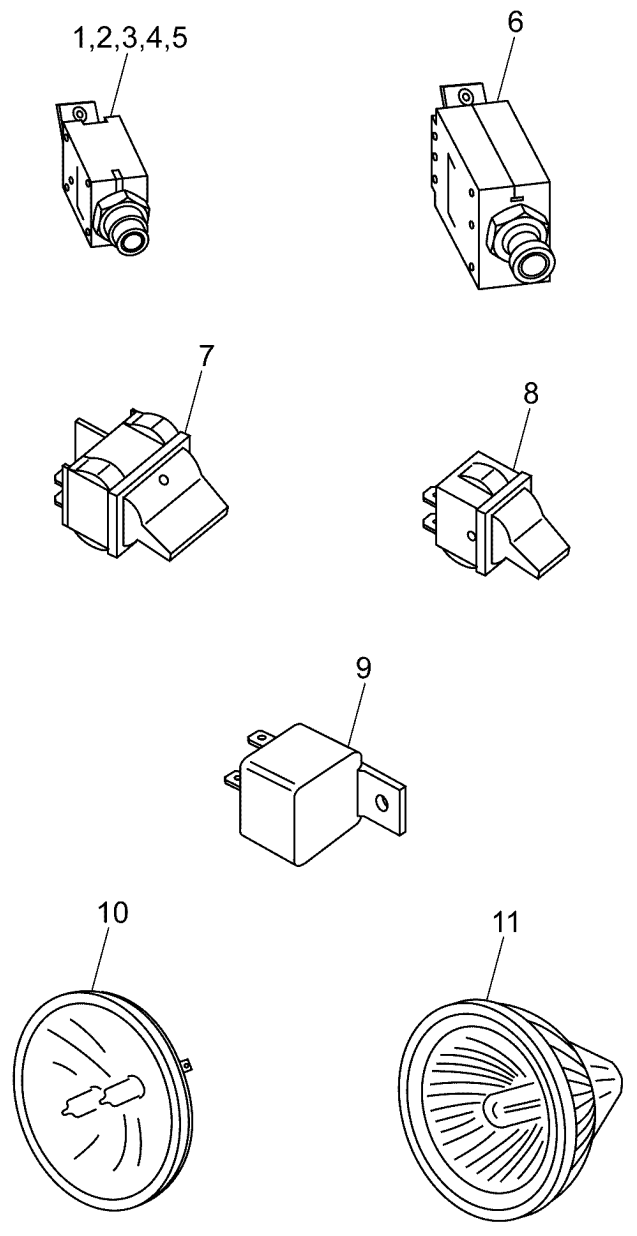
SportStar ^{AM}		POWER UNIT				6.5PLUS
		Heating + both sides windshield air blowing				
Pos.	Order number	Designation	Qty.	Standard	Note	
001	E8 55-56 01	Exchanger	1			
002	E6 13-05 21	Gripe	2			
003	S8 30-01 01	Front flap	1			
004	S8 30-10 01	Rear flap	1			
005	768825	Endpiece	2			
006	S8 30-30 01	Air vent	2			
007	E8 00-79 21	Bowden bracket	1			
008	E8 00-49 01	Rod set	2			
009	3504 (0.60m)	Air hose Flexadur VMX-2LH	1			
010	3494	Hose clip 35-50	4			
011	7532	Fastener band 3.6x140	9	580988.HN 000		
013	7410	Fork	2			
014	3570	Clamp 1x4	2	CSN 02 2706.5		
015	7412	Flag	2			
017	36173 (3.40m)	Air hose VMX-2LH	1			
018	43286	Bolt M 3x4	2	DIN 913		
020	15493	Bolt M 4x4	2	DIN 914		
021	6937	Nut M 6	2	DIN 985		
024	8483 (0.03m)	Short tube 8x1	1			
025	7374	Hose clip 16-27/9	2			
026	766069	Air inlet	1			
027	3558 (3.00m)	Bowden hose	1			
028	49878	Bolt M 4x12	2	ISO 1207		
029	3088	Nut M 4	2	DIN 980 V		
030	6812	Washer 4.3	2	DIN 125A-8		
701	6472	Rivet 3.2x7.9	20	AVEX 1691-0410		
702	8493	Blind rivet 4.0x9.5	1	AVEX 1691-0512		

SportStar ^{MAX}	POWER UNIT	6.5SL
	Heating + both sides windshield air blowing	

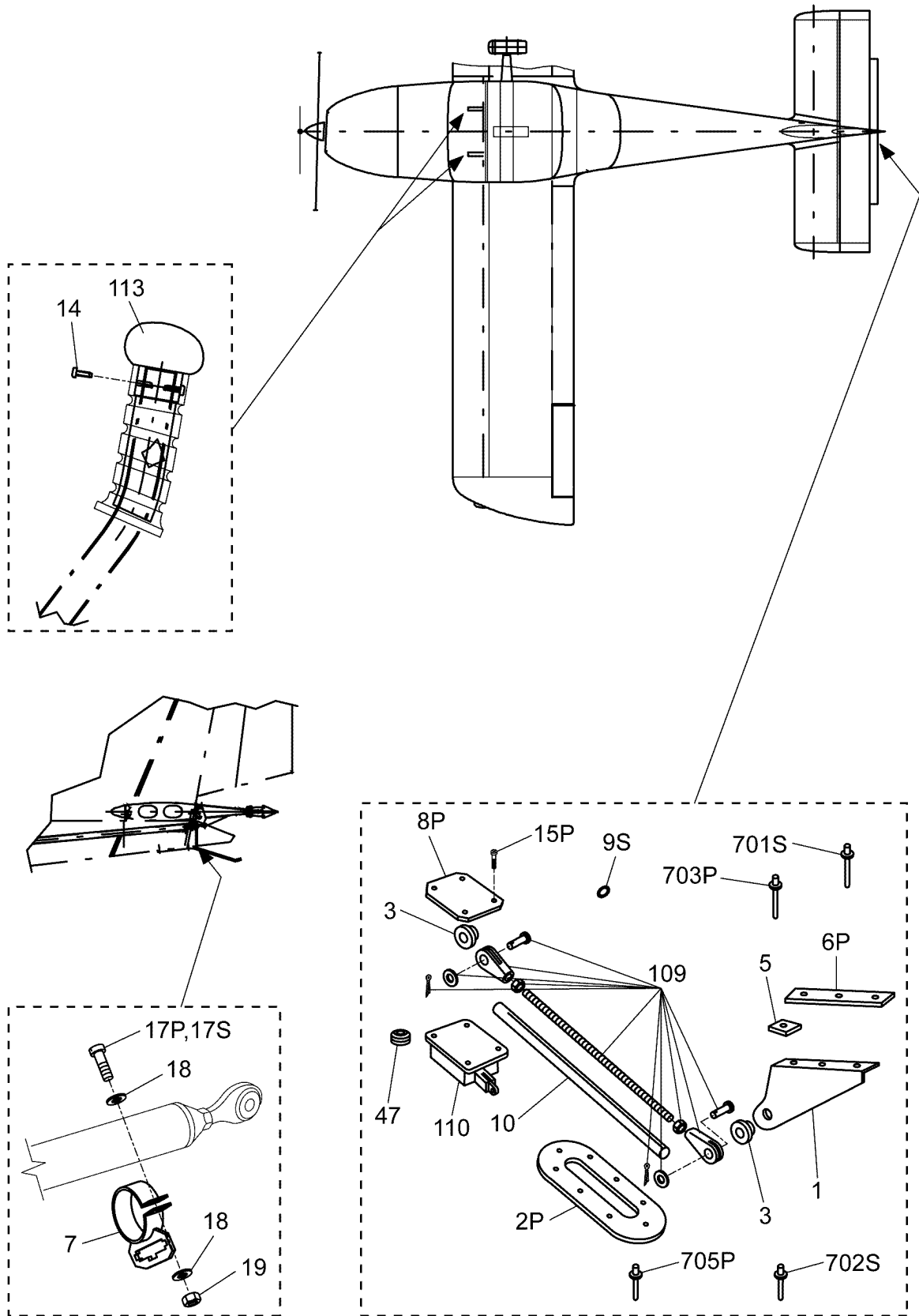


SportStar ^{AM}		POWER UNIT				6.5SL
Heating + both sides windshield air blowing						
Pos.	Order number	Designation	Qty.	Standard	Note	
001	S8 42-01 01	Heat-engine flap	1			
002	S8 41-10 01	Shutting flap	1			
003	S8 40-20 01	Air vent	1			
004	E8 55-56 01	Exchanger	1			
005	E6 13-05 21	Gripe	3			
006	768825	Endpiece	3			
007	E8 00-49 02	Angle	1			
008	E8 00-49 01	Rod set	3			
009	S8 40-25 21	Bracket	1			
018	3504 (1.40m)	Air hose Flexadur VMX-2LH	1			
019	59556 (0.40m)	Air hose Flexadur CRX-2LH	1			
020	60199 (4.00m)	Air hose Flexadur CRX-2LH	1			
022	766069	Air inlet	1			
028	3494	Hose clip 35-50	13			
038	7532	Fastener band 3.6x140	5	580988.HN 000		
039	9754	Fastener band 4.8x360	1	580984.HN 000		
048	7410	Fork	3			
058	3570	Clamp 1x4	3	CSN 02 2706.5		
063	61092	Air vent	2			
068	7412	Flag	1			
088	43286	Bolt M 3x4	3	DIN 913		
098	15493	Bolt M 4x4	3	DIN 914		
108	6937	Nut M 6	3	DIN 985		
118	8483 (0.06m)	Short tube 8x1	1			
148	3558 (4.50m)	Bowden hose	1			
158	49878	Bolt M 4x12	2	ISO 1207		
168	3088	Nut M 4	2	DIN 980 V		
178	6812	Washer 4.3	2	DIN 125A-8		
701	15236	Rivet 3.2x6.4	30	BE61-0408		
720	6472	Rivet 3.2x7.9	4	AVEX 1691-0410		

SportStar ^{MAX}	INSTALLATIONS	7.1
	Electrical system	

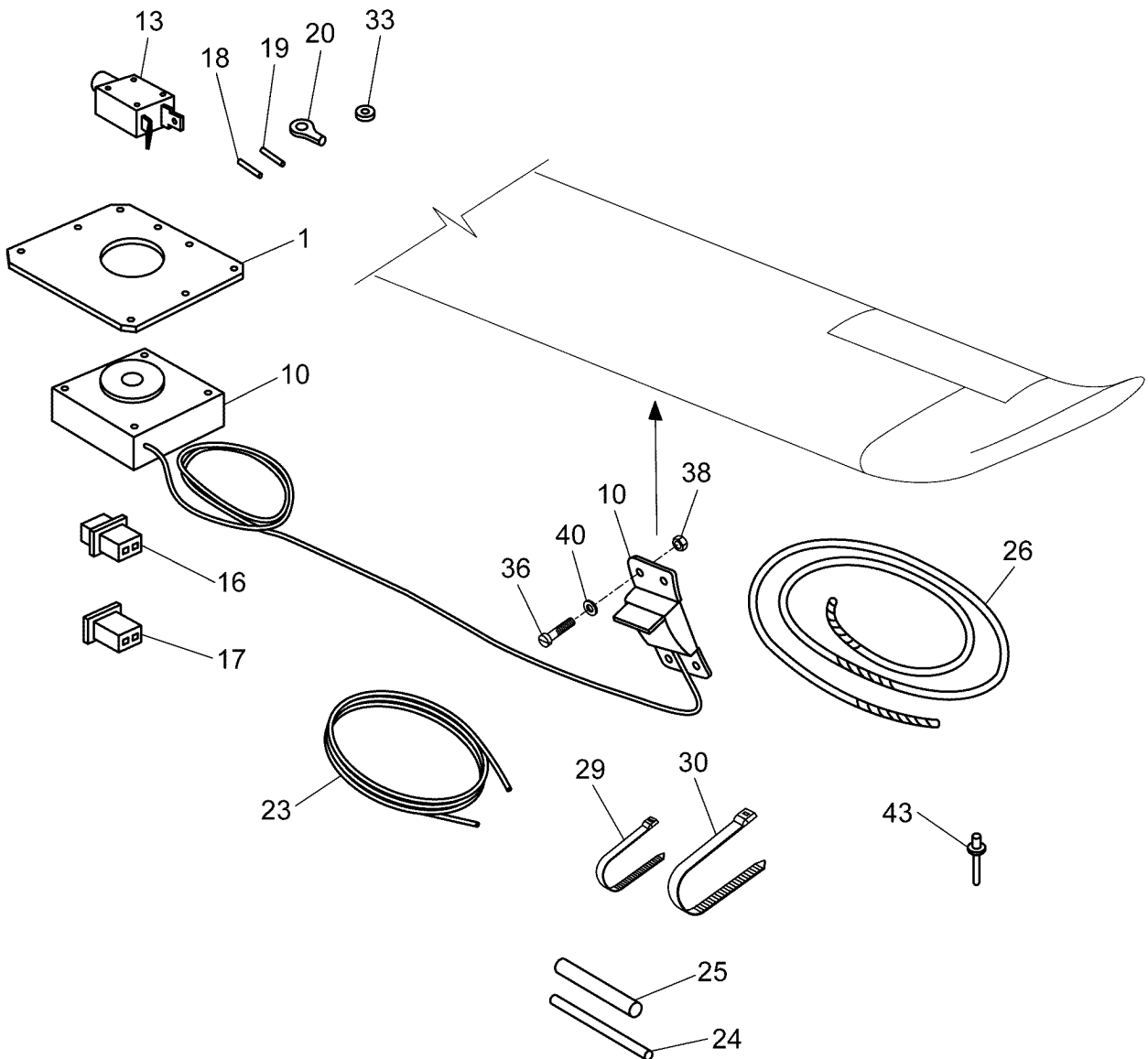
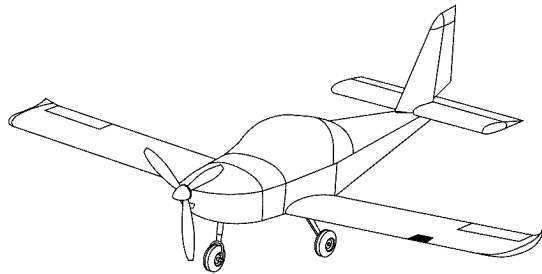


SportStar ^{AM}		INSTALLATIONS				7.1
		Electrical system				
Pos.	Order number	Designation	Qty.	Standard	Note	
001	11476	Circuit breaker 1A	1			
002	11477	Circuit breaker 2A	1			
003	11478	Circuit breaker 3A	1			
004	11480	Circuit breaker 7.5A	1			
005	12340	Circuit breaker 10A	1			
006	13378	Circuit breaker 30A	1			
007	13504	Master switch 2PDT	1			
008	13503	Switch 1PDT	1	1811.1102		
009	12731	Relay 12V/30A	1			
010	12696	Lamp for whelen	1	A715 G4509-PAR 36		
011	12656	Lamp for front reflectors 50W	1			

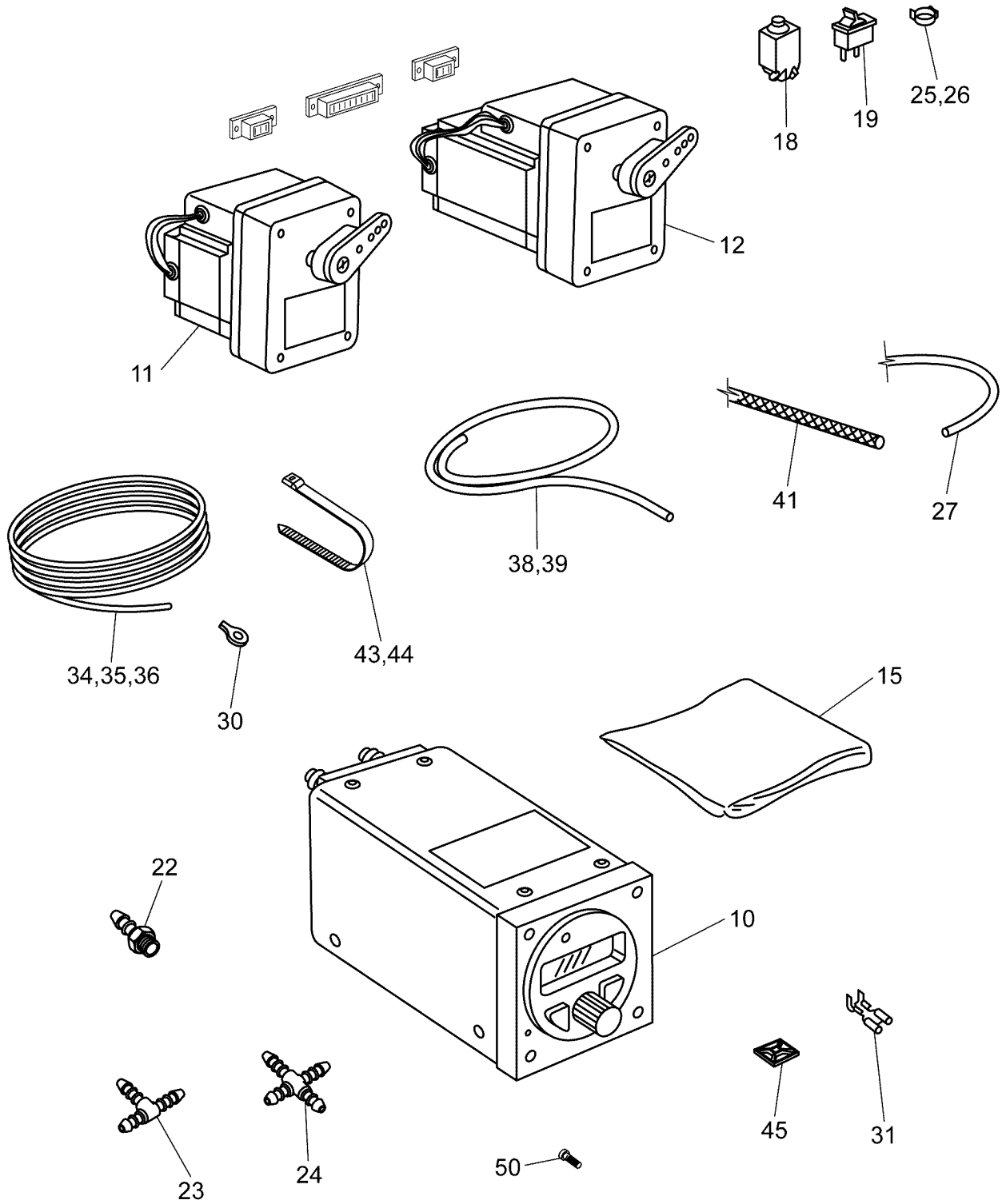


SportStar ^{AM}		INSTALLATIONS				7.2
Electric trim tab control						
Pos.	Order number	Designation	Qty.	Standard	Note	
001	E3 03-29 21	Trim tab bracket	1			
002P	E3 03-37 21	Rubber border	1			
003	E3 03-38 21	Bushing	2			
005	E3 03-15 21	Pad	1			
006P	E3 03-20 21	Trim tab tip	1			
007	E3 03-30 01	Sleeve	1			
008P	E3 03-33 21	Cover	1			
009S	E3 03-34 21	Gland	1			
010	E3 03-36 21	Tube	1			
014	19627	Screw M 3x10	4	DIN 7516A-8.8-A2F		
015P	19628	Screw M 3x10	4	DIN 7985		
017P	1826	Screw M 4x16	1	CSN 02 1131.24		
017S	45564	Bolt M 4x16	1	ISO 1207		
018	6812	Washer 4.3	2	DIN 125A-8		
019	3088	Nut M 4	1	DIN 980 V		
047	3782	Bush 4.5x2	1	CSN 63 3881.3		
109	56320	Trim installation kit	1			
110	56317	Trim servo	1			
113	20447	Grip G5	2			
701S	6472	Rivet 3.2x7.9	4	AVEX 1691-0410		
702S	11235	Rivet 4x11.5	3	AVINOX		
703P	3257	Rivet 3.5x9	3	CSN 02 2302.5		
705P	8398	Blind rivet 3.0x6.7	8	AVEX 1691-5307		

SportStar ^{MAX}	INSTALLATIONS	7.3
	Stall warning system	

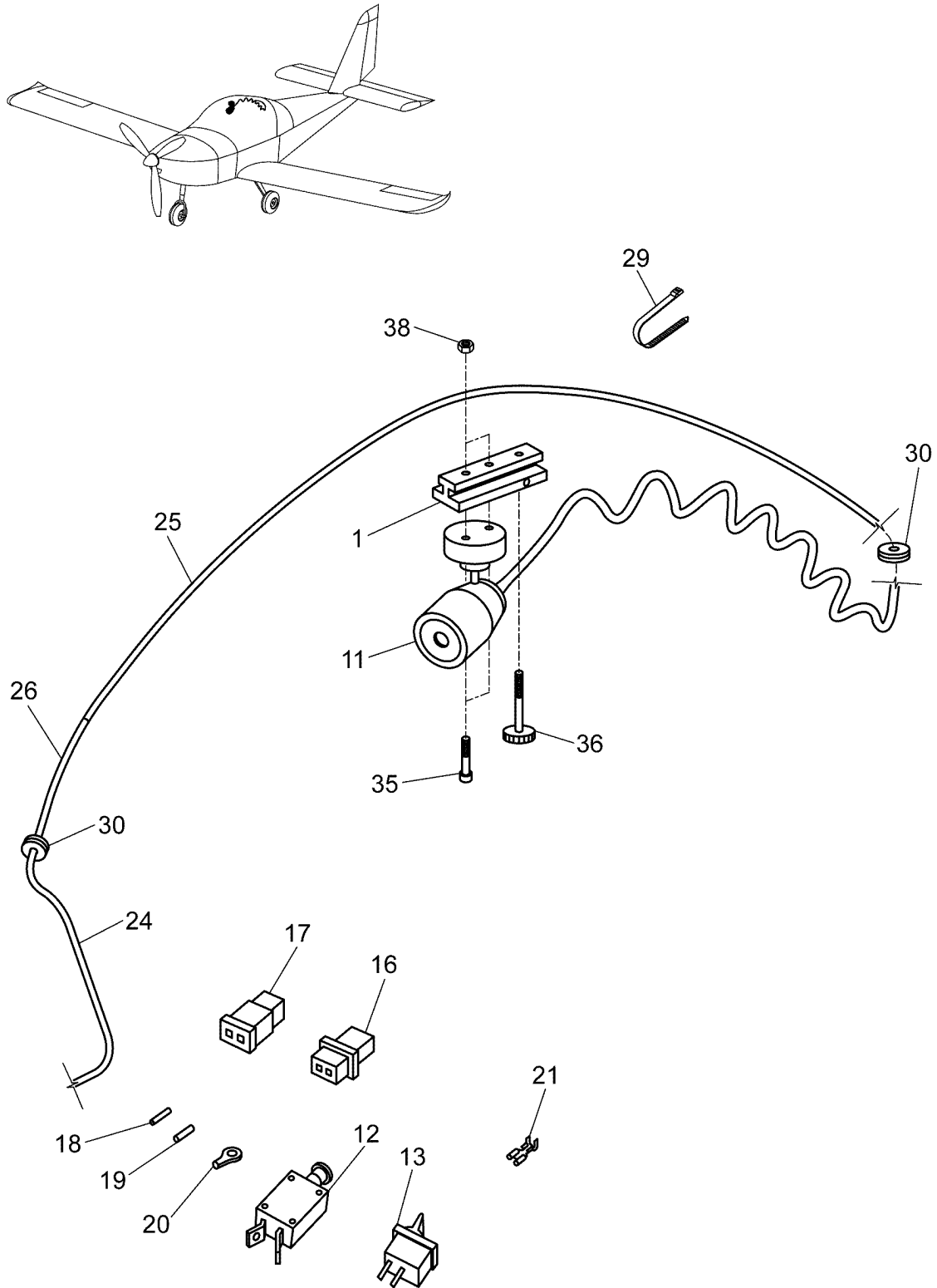


SportStar ^{AM}		INSTALLATIONS				7.3
Stall warning system						
Pos.	Order number	Designation	Qty.	Standard	Note	
001	E8 03-08 21	Bracket	1			
010	20826	Lift detector	1			
013	49658	Circuit breaker 2TC2-1	1			
016	13460	Socket housing 2pos	2			
017	13461	Pin housing 2pos	2			
018	13466	Socket (AWG22-18)	4			
019	13468	Pin (AWG22-18)	4			
020	11717	Cable eye	2			
023	12116	Wire AE22	1			
024	12127	Heat shirink tube HFT-333	1			
025	12125	Heat shirink tube HFT-333	1			
026	3986	Hose	1			
029	13392	Fastener band 2.5x98	15	PLT1M-C		
030	13393	Cable tie 3.6x142	6	PLT1.5I-C		
033	8062	Bushing 3.5x1	1			
036	1934	Screw M 3x12	4			
038	6938	Nut M 3	4	9408-2314		
040	3111	Washer 3.2	4	CSN 02 1702.14		
043	6472	Rivet 3.2x7.9	6	AVEX 1691-0410		



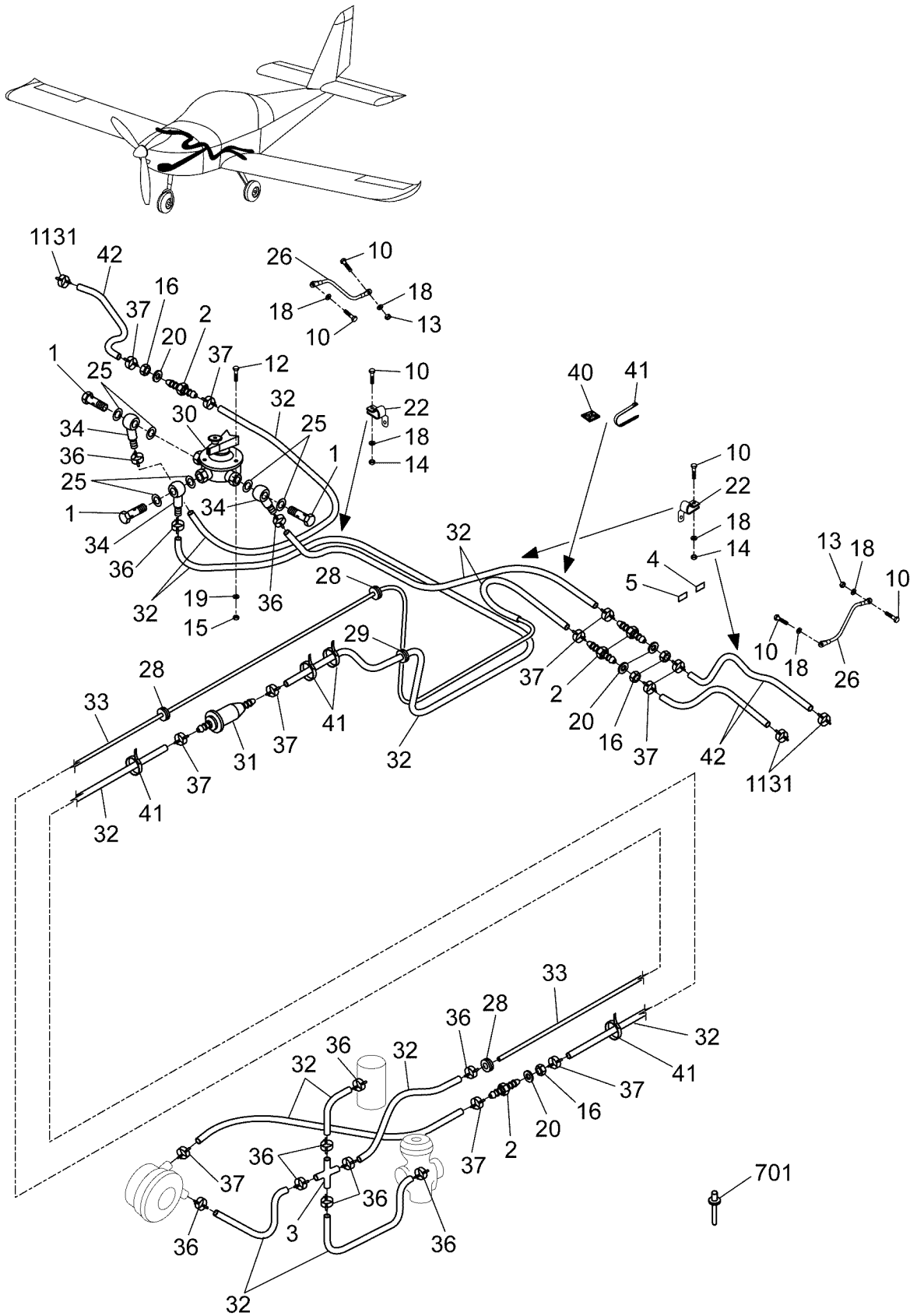
SportStar ^{AM}		INSTALLATIONS				7.4
Digiflight IIVS Trutrak Auto Pilot						
Pos.	Order number	Designation	Qty.	Standard	Note	
010	53987	Autopilot Digiflight IIVS	1	D-IIVS		
011	49540	Servo Basic - B	1	DSB-B		
012	53988	Servo Pitch - C	1	DSP-C		
015	49543	Digiflight II/ADI Pilot II con	1	8210-002		
018	49663	Circuit breaker 2TC2-7.5	1	MS3320		
019	13503	Switch 1PDT	1	1811.1102		
022	8117	Fitting	2	A-71-71		
023	3864	Plastic manifold	1			
024	3865	Plastic manifold	1			
025	6951	Cobra clip 8/7	7			
026	3738	Cobra clip 9/7	2			
027	6945 (0.50m)	Tubclair 5/8 hose	1			
030	11717	Cable eye	4			
031	13471	Faston 4.8	2	AEG22-16		
034	12116 (28m)	Wire AE22	1			
035	12117 (10m)	Wire AE20	1			
036	12120 (2.6m)	Wire shield SE22	1			
038	12127 (0.50m)	Heat shirink tube HFT-333	1			
039	12125 (0.10m)	Heat shirink tube HFT-333	1			
041	8543	Protective spiral 10x1500	1	MON 2701		
043	13392	Fastener band 2.5x98	30	PLT1M-C		
044	13393	Cable tie 3.6x142	10	PLT1.5I-C		
045	51213	Clamp self-adhesive	7			
050	13493	Screw,pan head,black 6-32x3/8	4			

SportStar ^{MAX}	INSTALLATIONS	7.5
	Cockpit lighting for Koger sunshade	



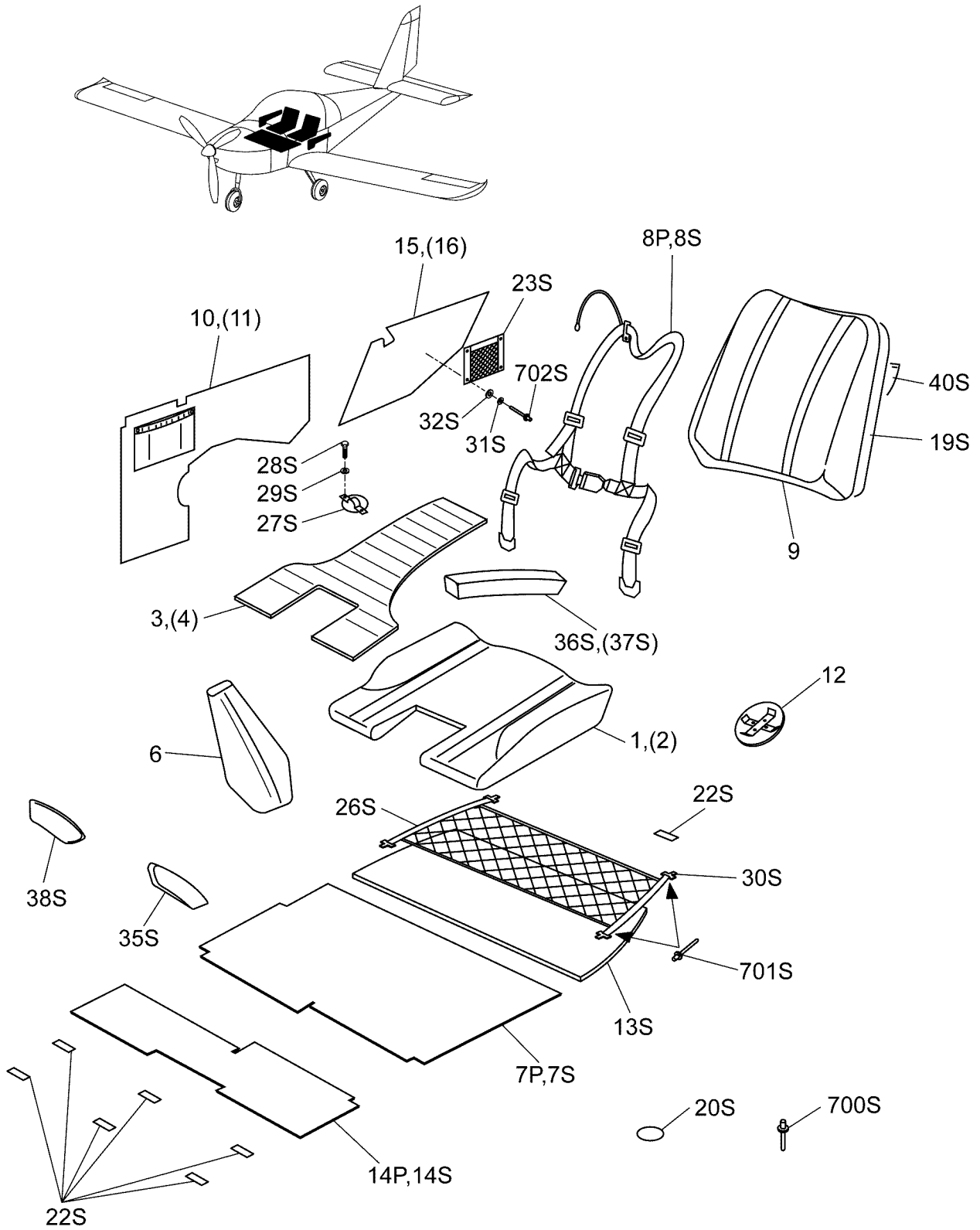
SportStar ^{AM}		INSTALLATIONS				7.5
Cockpit lighting for Koger sunshade						
Pos.	Order number	Designation	Qty.	Standard	Note	
001	S7 99-62 21	Guide	1			
011	48337	Interior lamp	1			
012	49658	Circuit breaker 2TC2-1	1			
013	13503	Switch 1PDT	1	1811.1102		
016	13460	Socket housing 2pos	1			
017	13461	Pin housing 2pos	1			
018	13466	Socket (AWG22-18)	2			
019	13468	Pin (AWG22-18)	2			
020	11717	Cable eye	2			
021	13471	Faston 4.8	2	AEG22-16		
024	12116 (9.8m)	Wire AE22	1			
025	12127 (4.0m)	Heat shirink tube HFT-333	1			
026	12125 (0.20m)	Heat shirink tube HFT-333	1			
029	13392	Fastener band 2.5x98	23	PLT1M-C		
030	8062	Bushing 3.5x1	2			
035	16509	Screw M 3x16	2	DIN 912		
036	48774	Screw M 3x20	1	DIN 653		
038	6938	Nut M 3	2	9408-2314		

Fuel instalation - integral tanks



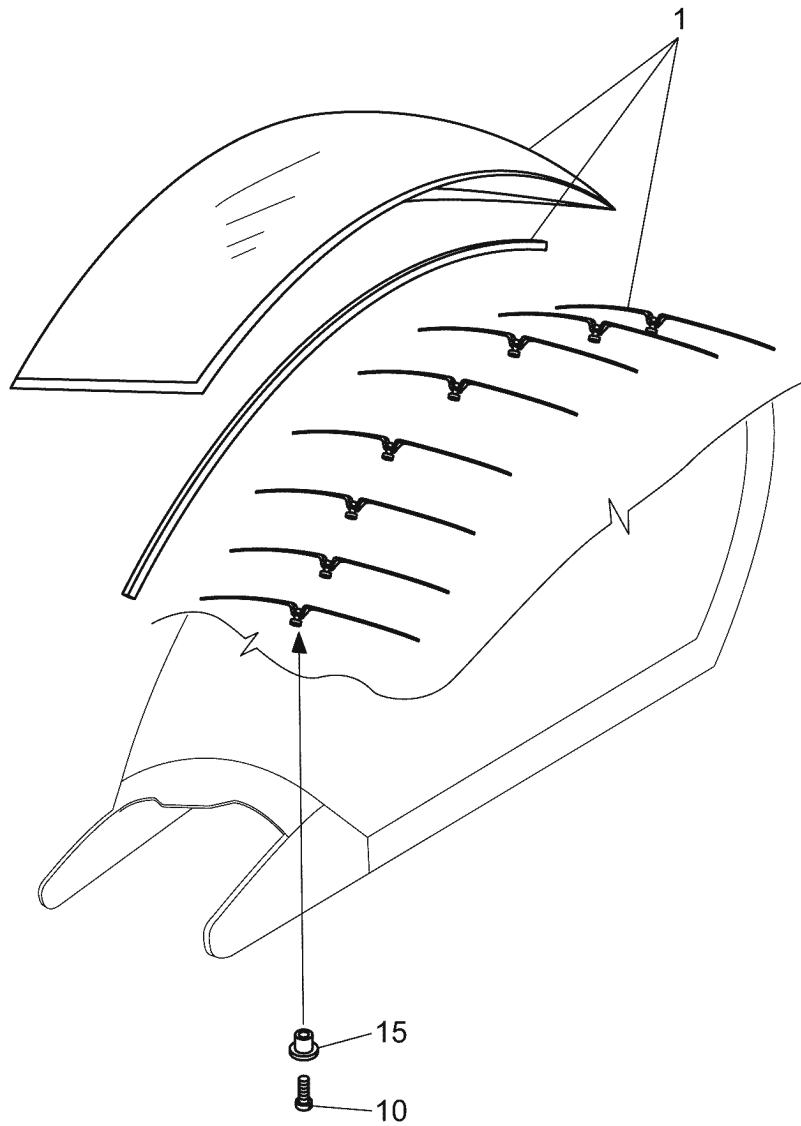
SportStar ^{AM}		INSTALLATIONS				7.6
		Fuel instalation - integral tanks				
Pos.	Order number	Designation	Qty.	Standard	Note	
001	S6 70-01 21	Fitting	3			
002	766406	Bushing (in firewall)	4			
003	E6 60-63 01	Branch with nozzle	1			
004	S6 70-02 21	Placard - suction	4			
005	S6 70-03 21	Placard - return	2			
010	36556	Screw M 4x10	25	CSN 02 1103.24		
012	20756	Screw M 5x16	3	ISO 7046-2		
013	6980	Nut M 4	2	9408-2415		
014	3088	Nut M 4	21	DIN 980 V		
015	7494	Nut M 5	3	DIN 980 V		
016	46020	Nut M 10	4	ISO 4035		
018	6812	Washer 4.3	25	DIN 125A-8		
019	44870	Washer 5.3	3	DIN 125-1		
020	48284	Washer 10.5	4	DIN 125-1A		
022	55744	Loop 1x12	11	AEN 3488.2		
025	3470	Sealing ring 14x18	6	CSN 02 9310.3		
026	3530	Bonding jumpers 3-150	2	ONL 6669.01		
028	3784	Bush 7x1	3	CSN 63 3881.3		
029	24968	Bush 13x2	1	CSN 63 3881.3		
030	46476	Fuel cock	1	FS20x2-F		
031	7242	Filter UFI	1			
032	7578 (10m)	Oil hose	1			
033	18343	Tube 6x1	1			
034	44114	Fitting	3			
036	3740	Clip Cobra 11/7	12			
037	7838	Clip Cobra 12/8	11			
040	51213	Clamp self-adhesive	10			
041	13393	Cable tie 3.6x142	30	PLT1.5I-C		
042	8543	Protective spiral 10x1500	2	MON 2701		
1131	7838	Clip Cobra 12/8	3			
701	6472	Rivet 3.2x7.9	12	AVEX 1691-0410		

SportStar ^{MAX}	COCKPIT EQUIPMENT	8.1
	Cockpit equipment	



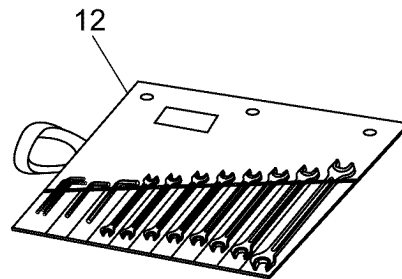
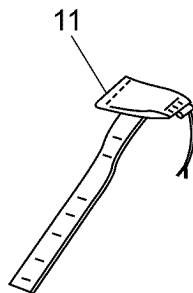
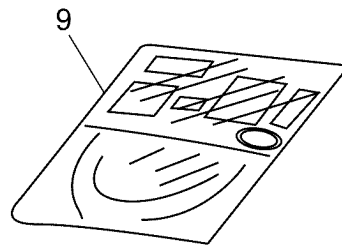
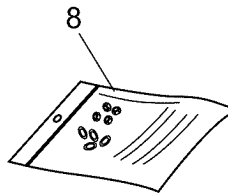
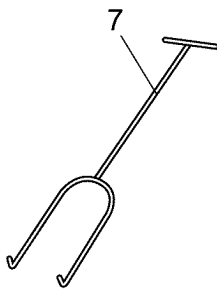
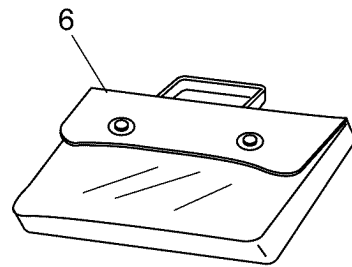
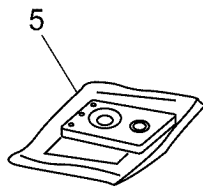
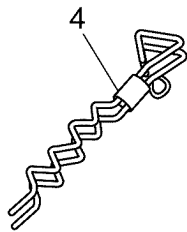
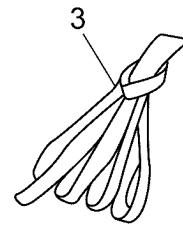
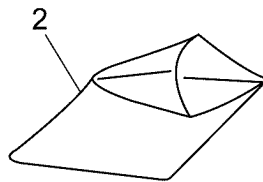
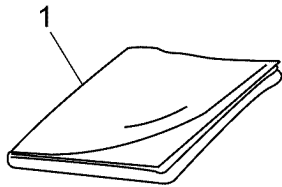
SportStar ^{AM}		COCKPIT EQUIPMENT				8.1
Cockpit equipment						
Pos.	Order number	Designation	Qty.	Standard	Note	
001	E8 50-52 01	Bucket seat-squab LH	1			
002	E8 50-52 02	Bucket seat-squab RH	1			
003	E8 50-53 01	Bucket seat-bolster LH	1			
004	E8 50-53 02	Bucket seat-bolster RH	1			
006	E8 01-13 01	Control stick sleeve	2			
007P	E8 01-04 21	Carpet	1			
007S	S8 01-04 21	Floor carpet	1			
008P	E8 01-10 01	Four point safety harness	2			
008S	E8 02-10 01	Four-points belts - SL	2			
009	E8 50-51 01	Bucket seat-supporting rest	2			
010	E8 01-07 01	Baffle assembly LH	1			
011	E8 01-07 02	Baffle assembly RH	1			
012	761375	Capping strip - assembly	1			
013S	S8 03-04 21	Baggage compartment carpet	1			
014P	E8 50-04 21	Front carpet	1			
014S	S8 50-04 21	Front carpet	1			
015	S8 01-07 01	Baffle assembly LH	1			
016	S8 01-07 02	Baffle assembly RH	1			
019S	S8 01-10 01	Support covering sheet	1			
020S	S8 03-05 21	Gland	4			
022S	6353 (6.70m)	Velcro fastener - hooks + eyes	1			
023S	44066	Frame with net - small	2			
026S	41971	Baggage compartment net	1			
027S	44015	Plastic two-hook	2			
028S	1841	Bolt M 5x25	2	CSN 02 1131.24		
029S	44870	Washer 5.3	2	DIN 125-1		
030S	46999	Ring GMi 1510	4			
031S	6812	Washer 4.3	8	DIN 125A-8		
032S	6656	Upholstering washer 5	8	952/9 84502		
035S	S1 55-73 01	Handle	1			
036S	S1 66-70 01	Elbow board L	1			
037S	S1 66-70 02	Elbow board R	1			
038S	S1 55-73 02	Handle	1			
040S	E8 50-55 01	Support pocket	2			
700S	6472	Rivet 3.2x7.9	4	AVEX 1691-0410		
701S	8493	Blind rivet 4.0x9.5	8	AVEX 1691-0512		
702S	6794	Blind rivet 4.0x12.7	8	AVEX 1691-0516		

SportStar ^{MAX}	COCKPIT EQUIPMENT	8.2
	Koger sunshade	



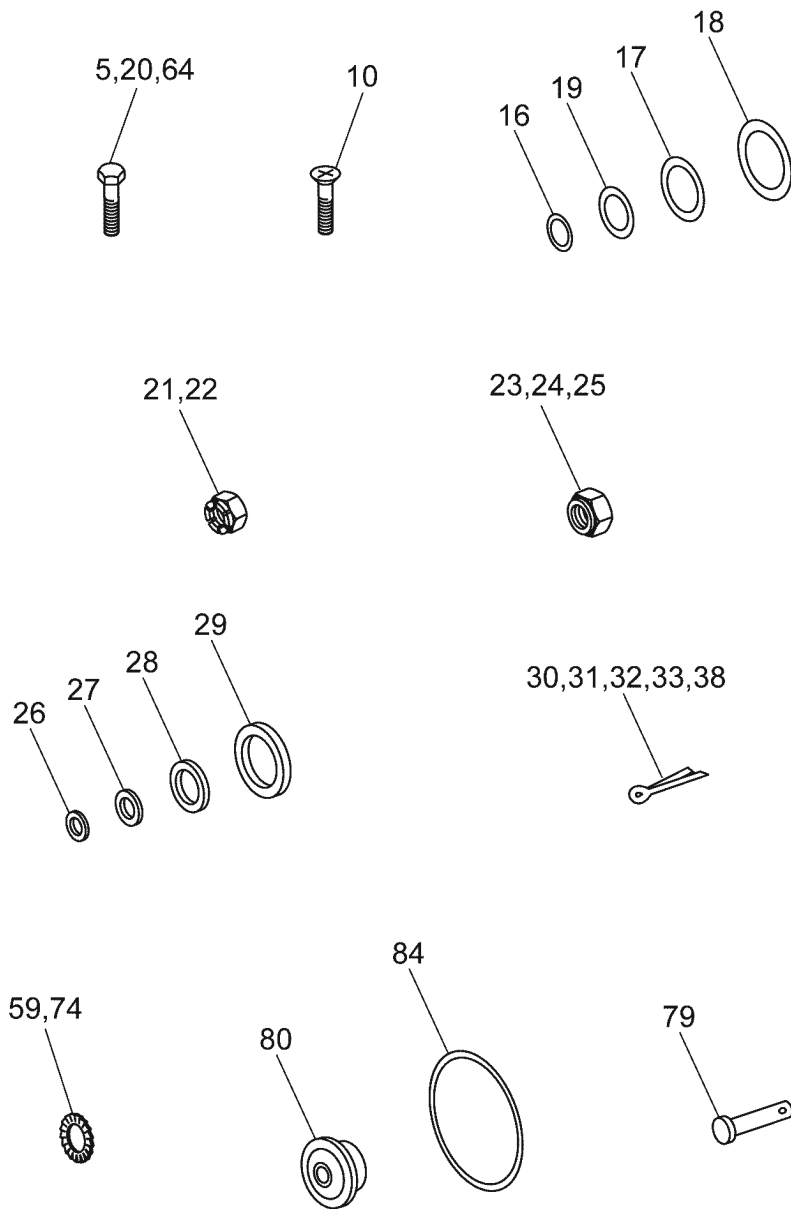
SportStar ^{SAH}	COCKPIT EQUIPMENT				8.2
	Koger sunshade				
Pos.	Order number	Designation	Qty.	Standard	Note
001	47201	Koger sunshade	1		
010	41455	Screw M 3x12	5	ISO 7046-1	
015	6938	Nut M 3	5	9408-2314	

SportStar ^{MAX}	OPTIONAL EQUIPMENT	9.1
	Ground equipment	



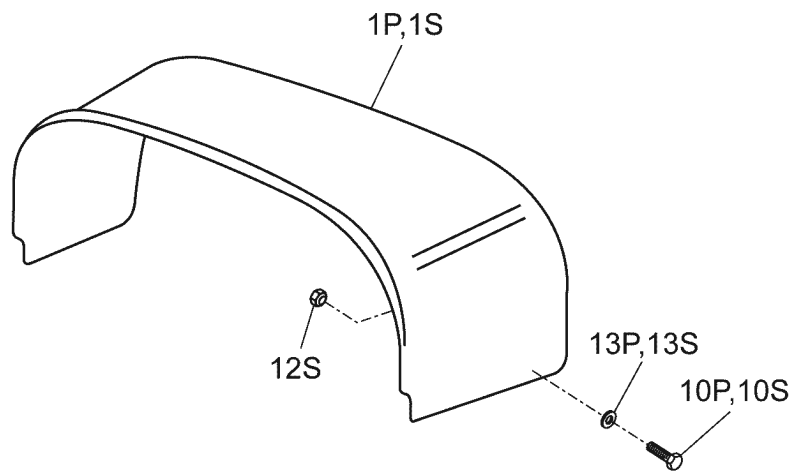
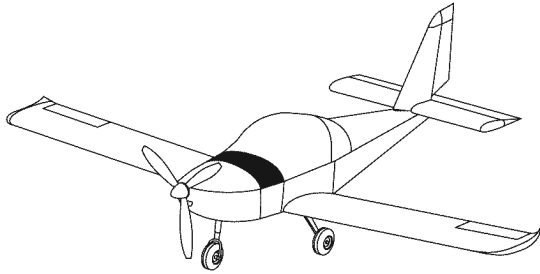
SportStar ^{MAX}		OPTIONAL EQUIPMENT				9.1
		Ground equipment				
Pos.	Order number	Designation	Qty.	Standard	Note	
001	E9 02-20 01	Canopy cover - wide	1			
002	8722	Sleeve for equipment	2			
003	2608	Fixing strap - assembly	3			
004	10273	Ground anchor	3			
005	9659	Folding trig	2			
006	3998	Big bag	1			
007	S9 05-00 01	Drawbar	1			
008	S0 00-15 01S	Spare connecting parts	1 set		see table 9.2	
009	18975	Sun shade	2			
010	7727	Valve extension	1		for front tire	
011	S9 01-10 01	Pitot tube cover	1			
012	43073	Set of metric wrenches and allen wrenches	1 set			

SportStar^{MAX}	OPTIONAL EQUIPMENT	9.2
	Spare connecting parts S0 00-15 01S	



SportStar ^{AM}		OPTIONAL EQUIPMENT				9.2
		Spare connecting parts S0 00-15 01S				
Pos.	Order number	Designation	Qty.	Standard	Note	
005	1876	Bolt M 4x12	10		engine cowling, wing to fuselage fairing	
010	12996	Bolt M 4x12 (flush head)	10		removable upper cover in front of cockpit	
016	16324	Ring 4x2	1		double hydraulic brake pump	
017	16326	Ring - O 7.3x2.4	1		double hydraulic brake pump	
018	16327	Ring 11.3x2.4	1		double hydraulic brake pump	
019	16325	Ring 5.6x2.4	1		double hydraulic brake pump	
020	12997	Bolt M 4x16	15		to fix main wheel pants	
021	3070	Nut M 6	4	CSN 02 1413.44	flight control, rudder attachment	
022	3071	Nut M 8	2	CSN 02 1413.44	to fix main landing gear leg	
023	3088	Nut M 4	4	DIN 980 V	flight control	
024	7494	Nut M 5	4	DIN 980 V	flight control	
025	3089	Self locking nut M6	6	DIN 980 8-V	flight control	
026	6812	Washer 4.3	4	DIN 125A-8	under appropriate nut	
027	8527	Washer 5.3	2		under appropriate nut	
028	6813	Washer 6.4	6	DIN 125-8-A2F	under appropriate nut	
029	10478	Washer 8.4	4	CSN 02 1702.15	under appropriate nut	
030	3183	Split pin 1x12	2	CSN 02 1781.05	to lock rudder nut	
031	8531	Cotter pin 1.6x20	8		to lock flight control elements	
032	37002	Split pin 2x20	6	CSN 02 1781.05	to lock stabilizer and main landing gear leg attachment	
033	12231	Cotter pin 2.5x25	2		to lock front landing gear leg	
038	3204	Cotter pin 4x40	3	CSN 02 1781.04	to lock wheel nuts	
059	8528	Washer 6.2	4	ONL 3288.1	to lock nuts of the flight control elements	
064	17034	Screw M 8x12	3	CSN 02 1103.55	to fix brake disc	
074	6654	Washer 8.2	3	ONL 3288.1	to lock brake disc bolts	
079	3952	Safety pin 1.5	3	ONL 3345	to lock wing suspension pins	
080	13070	Cuff U 11x3x4.5	2	RUBENA 33769	hydraulic brake pump	
084	17159	Ring - O 20x1.5	2		hydraulic brake pump	

SportStar^{MAX}	OPTIONAL EQUIPMENT	9.3
	Instrument board shelter for NVFR	



SportStar ^{SAH}		OPTIONAL EQUIPMENT				9.3
Instrument board shelter for NVFR						
Pos.	Order number	Designation	Qty.	Standard	Note	
001P	S9 16-00 01	Shade	1			
001S	S1 66-71 01	Shade	1			
010P	58431	Screw M 3x16	8	DIN 85 A		
010S	58431	Screw M 3x16	6	DIN 85 A		
012S	6938	Nut M 3	6	9408-2314		
013P	6811	Washer 3.2	8	DIN 125		
013S	6811	Washer 3.2	6	DIN 125		

INDEX

Order num.	Tab.	Pos.	Order num.	Tab.	Pos.	Order num.	Tab.	Pos.
10080	1.6PL	717	10211	1.6SL	714	12125	7.3	025
10080	1.6SL	717	10211	3.1	700	12125 (0.04m)	6.2	024
10080	2.3	710	10211	3.1.1	707	12125 (0.10m)	7.4	039
10081	1.6PL	726	10273	9.1	004	12125 (0.20m)	7.5	026
10081	1.6SL	726	10322	1.6.5	701	12127	7.3	024
10082	1.6.5	703	10322	1.6PL	710	12127 (0.50m)	7.4	038
10082	1.6PL	709	10322	1.6SL	710	12127 (1.00m)	6.2	023
10082	1.6SL	709	10322	2.3	802	12127 (4.0m)	7.5	025
10082	1.7	706	10322	3.1.1	705	12130	2.1.1	004
10082	2.3	708	10323	1.6.5	704	12225 (0.22m)	1.7.3	109P
10082	3.1.1	704	10323	1.6PL	713	12231	9.2	033
10091	1.6.5	706	10323	1.6SL	713	12291	5.1	039
10091	1.6PL	728	10323	2.3	709	12340	7.1	005
10091	1.6SL	728	10473	5.2	040	12341 (0.50m)	6.4	021
10091	2.3	715	10478	9.2	029	12474	3.1.2P	026
10092	1.6.5	707	10521	1.5PL	015	12474	5.5.1P	010
10093	1.6.5	710	10521	1.5SL	015	12474	5.7PL	048
10093	1.6PL	727	10894	4.1	045	12645	1.2PL	101
10093	1.6SL	727	10894	5.1	037	12656	7.1	011
10093	2.3	713	10896	1.4	139	12689	6.4	702
10094	1.6.5	708	10953	1.7	705	12696	2.2	111
10094	1.6PL	725	11033	6.3	701	12696	7.1	010
10094	1.6SL	725	11041	5.5.3	005	12731	7.1	009
10094	2.3	714	11041	5.6PL	015	12816	6.2	015
10200	1.6.5	711	11041	5.6SL	015	12858	6.2	016
10200	1.6PL	712	11041	5.8	051	12860	5.3	011
10200	1.6SL	712	11235	5.6SL	700	12861	5.3	010
10201	1.6PL	715	11235	7.2	702S	12996	9.2	010
10201	1.6SL	715	11476	7.1	001	12997	9.2	020
10202	2.3	711	11477	7.1	002	13070	5.5.1P	006
10203	2.3	803	11478	7.1	003	13070	5.5.1S	020
10204	1.6PL	711	11480	7.1	004	13070	9.2	080
10204	1.6SL	711	11520	2.3.3	201B1	13356	2.1.1	010
10206	1.6PL	702	11522	2.3.3	201B2	13378	7.1	006
10206	1.6SL	702	11557	1.2SL	025	13392	5.7PL	077
10206	1.7	704	11577	2.3	811	13392	5.7SL	077
10206	2.2	702	11717	6.2	019	13392	6.2	025
10206	2.3	717	11717	7.3	020	13392	6.4	037
10207	1.6PL	701	11717	7.4	030	13392	7.3	029
10207	1.6SL	701	11717	7.5	020	13392	7.4	043
10208	1.6PL	703	12021	6.2	020	13392	7.5	029
10208	1.6SL	703	12116	7.3	023	13393	5.1	029P
10209	2.3	719	12116 (28m)	7.4	034	13393	5.1	029S
10210	1.6.5	705	12116 (3.80m)	6.2	022	13393	6.2	026
10210	3.1.1	706	12116 (9.8m)	7.5	024	13393	6.3	010
10211	1.6.5	709	12117 (10m)	7.4	035	13393	7.3	030
10211	1.6PL	714	12120 (2.6m)	7.4	036	13393	7.4	044

Order num.	Tab.	Pos.	Order num.	Tab.	Pos.	Order num.	Tab.	Pos.
13393	7.6	041	16324	5.5.2	016	26229 (0.30m)	6.3	025
13426	5.3	020	16324	9.2	016	2834	1.2PL	051
13432	5.1	042	16325	5.5.2	019	2834	4.1	028
13460	7.3	016	16325	9.2	019	2834	5.1	024
13460	7.5	016	16326	5.5.1S	023	2834	5.7PL	036
13461	7.3	017	16326	5.5.2	017	2834	5.7SL	036
13461	7.5	017	16326	9.2	017	2835	4.1	025
13466	7.3	018	16327	5.5.2	018	2836	4.1	032
13466	7.5	018	16327	9.2	018	2839	5.7PL	042
13468	7.3	019	16509	7.5	035	2839	5.7SL	042
13468	7.5	019	16944	1.1PL	003	2852	4.1	027
13471	6.2	021	16945	1.1PL	004	2858	2.1.1	005
13471	7.4	031	17034	5.3	012	2865	5.7.1S	016
13471	7.5	021	17034	9.2	064	2865	5.7.1S	116
13476	1.2PL	061	17150	1.2PL	058	2891	5.7PL	035
13476	6.4	038	17157	5.5.3	008	2891	5.7SL	035
13493	7.4	050	17158	5.5.3	007	2892	5.7PL	040
13503	6.2	018	17159	5.5.1P	005	2892	5.7SL	040
13503	7.1	008	17159	5.5.1S	024	3008	5.6PL	021
13503	7.4	019	17159	9.2	084	3008	5.6SL	021
13503	7.5	013	18061	1.2PL	057	3029	5.5	008
13504	7.1	007	1817	5.8	031	3048	4.1	065
13516	5.8	038	1826	7.2	017P	3057	1.7.3	098P
13528	5.1	023	1832	5.8	034	3058	5.8	030
13545	1.6PL	201	18343	7.6	033	30612	5.3	201P
13545	1.6SL	201	1839	6.4	024	3069	5.1	028P
13596	2.3.3	201A	1841	8.1	028S	3070	4.1	038
14044	1.6PL	732	1863	1.3	720	3070	5.1	028S
14044	1.6SL	732	1872	1.2PL	060	3070	5.7PL	047
14086	2.1.1	007	1876	9.2	005	3070	5.7SL	047
14133	2.3	812	18975	9.1	009	3070	9.2	021
14328	1.1PL	005	19004	1.5SL	012	3071	3.1	111
14329	1.1PL	006	19212	5.5.3	009	3071	5.2	033
15236	1.2PL	704	1934	7.3	036	3071	5.7PL	049
15236	1.6SL	736	1946	1.6.2	262	3071	5.7SL	049
15236	6.5SL	701	19627	7.2	014	3071	9.2	022
15456	5.6PL	033	19628	3.1.2S	035	3082	3.1	110
15456	5.6SL	033	19628	7.2	015P	3083	1.6PL	216
15456	5.8	054	1991	5.1	041P	3083	1.6SL	216
15493	6.5PL	020	20447	7.2	113	3083	2.2	105
15493	6.5SL	098	20686	1.2PL	065	3083	5.8	033
15538	5.7.1S	019	20756	7.6	012	3084	1.5PL	014
15538	5.7.1S	119	20771	5.2	110	3084	1.6PL	215
15769	3.1.2P	024	20826	7.3	010	3084	2.2	104
15769	3.1.2S	024	21916	5.7PL	038	3084	5.4.1P	026
16106	1.6SL	737	21916	5.7SL	038	3084	5.8	036
16190	5.5.2	015	24968	7.6	029	3085	1.3	340
16246	1.1PL	001	25015	2.3.3	105	3085	1.6PL	219
16247	1.1PL	002	2608	9.1	003	3085	1.6SL	219

Order num.	Tab.	Pos.	Order num.	Tab.	Pos.	Order num.	Tab.	Pos.
3085	5.4.1S	010	3504 (1.40m)	6.5SL	018	3861	6.2	009
3088	5.6PL	017	3530	7.6	026	3864	7.4	023
3088	5.6SL	017	3554	3.1.2P	025	3865	7.4	024
3088	5.7PL	051	3558 (3.00m)	6.5PL	027	3952	2.1.1	009
3088	5.7SL	051	3558 (4.50m)	6.5SL	148	3952	9.2	079
3088	6.5PL	029	3561	5.6PL	025	3977	1.5SL	005
3088	6.5SL	168	3562	5.6SL	041	3980	1.5SL	006
3088	7.2	019	3565	6.4	033	3986	7.3	026
3088	7.6	014	3570	6.5PL	014	3992	5.7PL	078
3088	9.2	023	3570	6.5SL	058	3998	9.1	006
3089	1.2PL	052	36173 (3.40m)	6.5PL	017	41455	8.2	010
3089	5.6PL	020	36221	2.3	729	41492	2.1	030
3089	5.7PL	046	36222	2.3	739	41971	8.1	026S
3089	5.7SL	046	36223	2.3	749	43073	9.1	012
3089	6.2	010	36224	2.3	801	43233	5.4.1S	021
3089	6.4	032	36226	2.3	759	43233	5.7PL	039
3089	9.2	025	3635	1.6.3	221	43233	5.7SL	039
3111	7.3	040	36363	2.3.3	132	43286	6.5PL	018
3115	5.1	034P	36496	1.6PL	202	43286	6.5SL	088
3123	1.2PL	062	36556	5.7PL	041	43757	5.6PL	016
3124	5.4.1S	024	36556	5.7SL	041	43757	5.7SL	043
3141	4.1	063	36556	7.6	010	44015	8.1	027S
3149	5.1	033	37000	5.5	007P	44066	8.1	023S
3155	4.1	042	37002	3.1	122	44114	7.6	034
3157	1.2SL	038	37002	5.2	035	44175	2.3	800
3160	5.8	035	37002	5.6PL	024	44266	5.7PL	037
3183	3.1	121	37002	5.7.1S	020	44266	5.7SL	037
3183	9.2	030	37002	5.7.1S	120	44375	1.7.3	098S
3204	5.2	031P	37002	5.7PL	065	44870	1.2PL	055
3204	9.2	038	37002	5.7SL	065	44870	1.3	350
3239	2.2	700	37002	9.2	032	44870	1.6PL	232
3241	2.2	701	3738	7.4	026	44870	5.6PL	022
3241	3.1.2P	702	3740	2.1	027	44870	5.6SL	022
3241	3.1.2S	702	3740	2.3.3	129	44870	5.7PL	054
3242	3.1.2P	704	3740	6.2	007	44870	5.7SL	054
3257	7.2	703P	3740	7.6	036	44870	6.4	026
3258	1.7	310	3741	6.4	019	44870	7.6	019
3263	2.3	814	3748	1.2SL	040	44870	8.1	029S
3348	1.7.3	097	3749	5.5.1P	009	45037	1.6SL	735
3422	6.4	028	3750	5.1	040	45430	1.6PL	214
3440	6.4	031	3781	5.6PL	028	45564	7.2	017S
3470	6.4	029	3781	5.6SL	028	46020	6.2	013
3470	7.6	025	3782	7.2	047	46020	7.6	016
3494	5.1	022	3784	7.6	028	46193	1.2PL	059
3494	6.5PL	010	3785	1.6SL	013	46476	7.6	030
3494	6.5SL	028	3786	3.1.2P	028	46999	8.1	030S
3495	6.3	019	3786	3.1.2S	028	47201	8.2	001
3496	5.6SL	019	3851	3.1.2P	023	47907	2.2	106
3504 (0.60m)	6.5PL	009	3851	3.1.2S	023	48284	5.6SL	039

Order num.	Tab.	Pos.	Order num.	Tab.	Pos.	Order num.	Tab.	Pos.
48284	6.2	014	56125	1.6PL	231	6472	2.3	703
48284	6.3	020	56125	1.6SL	231	6472	3.1.1	701
48284	7.6	020	56125	1.7	103	6472	3.1.2P	701
48337	7.5	011	56125	2.2	110	6472	3.1.2S	701
48618	2.3	798	56125	2.3.3	102	6472	6.4	701
48619	2.3	799	56125	3.1	117	6472	6.5PL	701
48774	7.5	036	56125	5.4.1P	023	6472	6.5SL	720
49496 (0.80m)	6.3	026	56125	6.3	024P	6472	7.2	701S
49497 (0.60m)	6.3	027	56125	6.3	024S	6472	7.3	043
49537 (0.20m)	6.3	028	56317	7.2	110	6472	7.6	701
49540	7.4	011	56320	7.2	109	6472	8.1	700S
49543	7.4	015	5682	6.4	034	6654	1.7.3	099
49658	7.3	013	57092	5.6SL	025	6654	5.3	014
49658	7.5	012	57924	6.3	015	6654	9.2	074
49661	6.2	017	58431	9.3	010P	6656	8.1	032S
49663	7.4	018	58431	9.3	010S	6671	2.3	813
49878	6.5PL	028	59184	5.6SL	036	6698	1.5PL	016
49878	6.5SL	158	59185	5.6SL	037	6698	1.5SL	016
51213	5.8	037	59186	5.6SL	038	6793	1.2PL	702
51213	7.4	045	59187 (2.00m)	5.6SL	035	6793	1.6.5	712
51213	7.6	040	59251	1.5SL	014	6793	1.6PL	719
51655	1.5PL	013	59251	1.6SL	215	6793	1.6SL	719
51655	1.5SL	013	59556 (0.40m)	6.5SL	019	6793	2.3	704
51655	1.6PL	200	59791	1.2SL	021	6793	3.1.1	702
51655	1.6SL	200	59796	1.2SL	022	6793	5.7PL	700
51655	2.2	103	59832	1.2SL	023	6793	5.7SL	700
51655	2.3.3	096	59835	1.2SL	027	6794	1.6PL	733
51655	5.6PL	026	60199 (4.00m)	6.5SL	020	6794	1.6SL	733
51655	5.6SL	026	61092	6.5SL	063	6794	4.1	700
51655	5.8	039	61488	5.7.1S	021	6794	5.4.1S	703
51656	1.7	096	61488	5.7.1S	121	6794	8.1	702S
51656	3.1	115	61999	1.2SL	034	6796	1.2PL	701
51656	5.4.1P	021	63150	5.4.1S	023	6796	1.2SL	701
51656	6.3	022	63512	1.6SL	012	6796	1.3	305
51879	5.2	031S	6353 (6.70m)	8.1	022S	6796	1.5PL	700
51881	2.2	109	6419	1.2PL	102	6796	1.5SL	701
52041	1.2SL	033	6419	5.1	900	6796	1.6.5	713
52041	5.7SL	048	6472	1.2PL	700	6796	1.6PL	720
52043	5.2	109	6472	1.2SL	702	6796	1.6SL	720
53852 (0.40m)	5.7SL	078	6472	1.3	703	6796	1.7	305
53987	7.4	010	6472	1.4	701	6796	2.3	720
53988	7.4	012	6472	1.5SL	700	6796	3.1.2S	703
54101	1.1PL	009	6472	1.6.5	702	6796	5.4.1S	702
54101	1.2PL	056	6472	1.6PL	716	6796	5.8	700
55735	5.7PL	070	6472	1.6SL	716	6811	9.3	013P
55735	5.7SL	070	6472	1.7	703P	6811	9.3	013S
55744	7.6	022	6472	1.7	703S	6812	5.6PL	018
56125	1.5PL	017	6472	2.1	700	6812	5.6SL	018
56125	1.5SL	017	6472	2.2	703	6812	5.7PL	057

Order num.	Tab.	Pos.	Order num.	Tab.	Pos.	Order num.	Tab.	Pos.
6812	5.7SL	057	6998	2.2	112	761314	1.6.2	040
6812	6.3	017	7002	1.2PL	050	761315	1.6.2	049
6812	6.5PL	030	7002	1.2SL	041	761316	1.6.3	047
6812	6.5SL	178	7024	5.5.3	006	761319	1.6.2	046
6812	7.2	018	7078	1.6.5	040	761375	8.1	012
6812	7.6	018	7199	1.2PL	100	761521	1.2PL	112
6812	8.1	031S	7242	7.6	031	761523	1.2PL	004
6812	9.2	026	7253	4.1	050	761524	1.2PL	005
6813	1.2PL	054	7253	5.7PL	076	761540	1.6PL	185
6813	1.2SL	035	7302	5.3	107	761559	1.2SL	018
6813	2.2	107	7333	5.3	108	762248	2.3.1	040L
6813	3.1.2P	027	7374	6.5PL	025	762249	2.3.1	040R
6813	5.1	034S	7410	6.5PL	013	762252	2.3.3	069
6813	5.6PL	034	7410	6.5SL	048	762291	2.3.1	011L
6813	5.7PL	055	7412	6.5PL	015	762293	2.3.2	048
6813	5.7SL	055	7412	6.5SL	068	762391	2.3.1	011R
6813	6.4	030	7494	1.2PL	053	764403	5.7PL	025
6813	9.2	028	7494	1.6PL	218	764403	5.7SL	025
6814	1.2PL	063	7494	5.7PL	045	764407	5.7PL	023
6814	1.2SL	036	7494	5.7SL	045	764407	5.7SL	023
6814	2.1.1	006	7494	6.4	025	764411	5.7PL	026
6814	3.1	116	7494	7.6	015	764411	5.7SL	026
6814	5.2	034	7494	9.2	024	764451	5.7PL	028
6814	5.4.1P	022	7495	1.4	137	764451	5.7SL	028
6814	5.4.1S	022	7523	5.7SL	076	764452	5.7PL	029
6814	5.7.1S	018	7531	5.6PL	029	764452	5.7SL	029
6814	5.7.1S	118	7531	5.6SL	029	764453	5.7PL	027
6814	5.7PL	058	7531	5.8	045	764453	5.7SL	027
6814	5.7SL	058	7532	6.5PL	011	765105	5.3	005
6815	1.2SL	026	7532	6.5SL	038	765107	5.3	006P
6815	5.8	032	7578 (0.05m)	2.3.3	130	765108	5.3	102
6822	1.2SL	031	7578 (0.60m)	6.3	021	765198	5.5.3	004
6937	6.5PL	021	7578 (1.00m)	6.2	011	765225	5.3	002P
6937	6.5SL	108	7578 (10m)	7.6	032	765228	5.3	101P
6938	7.3	038	7578 (2.50m)	2.1	026	765247	5.4.1P	007
6938	7.5	038	761155	1.6.1P	017	765247	5.4.1S	007
6938	8.2	015	761156	1.6.1P	018	765253	5.3	001
6938	9.3	012S	761189	1.6.3	042P	765255	5.3	007
6945 (0.50m)	7.4	027	761267	1.6.1P	033	765259	5.5	004R
6945 (0.80m)	1.6SL	014	761267	1.6.1S	033	765260	5.5	004L
6950	3.1.2P	703	761267	1.6.4	033	765261	5.5.3	002L
6951	7.4	025	761268	1.6.1P	034	765263	5.5.3	001
6980	1.6PL	223	761268	1.6.1S	034	765265	5.5.3	002R
6980	1.6SL	011	761268	1.6.4	034	765478	5.1	008
6980	1.7	095	761275	1.6.1P	036	765478	5.2	004
6980	3.1	112	761275	1.6.1S	036	766069	6.5PL	026
6980	5.6PL	027	761276	1.6.1P	035	766069	6.5SL	022
6980	5.6SL	027	761276	1.6.1S	035	766129	1.4	002
6980	7.6	013	761313	1.6.2	039	766132	1.4	005

Order num.	Tab.	Pos.	Order num.	Tab.	Pos.	Order num.	Tab.	Pos.
766134	1.4	003	8483 (0.03m)	6.5PL	024	E0 23-01 21	2.3	301
766406	6.2	001	8483 (0.06m)	6.5SL	118	E0 23-01 22	2.3	302
766406	7.6	002	8483 (0.10m)	1.7.3	105	E0 23-30 01	2.3	308
766521	6.1	001	8483 (4.00m)	5.7SL	063	E0 23-30 02	2.3	309
766556	6.3	004	8483 (4m)	5.7PL	063	E0 54-01 21	5.1	012
766557	6.3	005	8492	1.7.3	101	E0 54-07 21	5.1	011
7674	6.1	007	8493	1.5SL	702	E0 54-11 21	5.1	020P
768149	1.4	004	8493	1.6PL	729	E1 01-04 01	1.7.1P	202
768825	6.5PL	005	8493	1.6SL	729	E1 01-05 01	1.7.1P	003
768825	6.5SL	006	8493	1.7	708	E1 01-08 01	1.7.1P	102
7727	9.1	010	8493	2.3	705	E1 01-09 01	1.7.1P	004
7738	1.2PL	064	8493	3.1.2S	704	E1 01-09 01	1.7.1S	004
7750	5.5.1P	013	8493	6.5PL	702	E1 01-10 01	1.3	001
7769	5.4.1S	015	8493	8.1	701S	E1 01-10 21	1.7.3	014
7797 (10m)	5.6PL	032	8495	6.3	013	E1 01-11 21	1.7.3	018
7797 (10m)	5.6SL	032	8527	9.2	027	E1 01-12 21	1.7.3	016
7810	1.2SL	030	8528	5.7PL	059	E1 01-15 21	1.7.3	019
7810	1.7.3	100	8528	5.7SL	059	E1 01-16 21	1.7.3	020
7810	5.2	045	8528	9.2	059	E1 01-18 21	1.7.1P	022
7810	5.7PL	050	8530	5.6PL	023	E1 01-18 21	1.7.1S	022
7810	5.7SL	050	8530	5.6SL	023	E1 01-24 21	1.7.3	028
7819	1.6PL	217	8530	5.7PL	064	E1 01-25 21	1.7.3	029
7819	1.6SL	217	8530	5.7SL	064	E1 01-27 21	1.7.3	030P
7838	2.3.3	131	8531	9.2	031	E1 01-30 21	1.7.1P	034
7838	6.2	012	8543	5.6PL	030	E1 01-30 21	1.7.1S	034
7838	6.3	018	8543	5.6SL	030	E1 01-33 21	1.3	203
7838	7.6	037	8543	7.4	041	E1 01-34 21	1.3	201
7838	7.6	1131	8543	7.6	042	E1 01-35 21	1.3	202
7866	6.3	029	8722	9.1	002	E1 01-38 21	1.7.3	042
7901	5.3	013	8771	5.5.1P	011	E1 01-39 21	1.7.3	043
7901	6.3	016	8771	5.5.1S	022	E1 01-40 21	1.7.3	044
7913	6.4	035	8771	5.5.2	012	E1 01-48 21	1.7.2	052
7952	1.3	330	8816	1.7.1P	302	E1 01-49 21	1.7.2	053
7952	1.6PL	222	8824	5.7.1S	017	E1 01-80 21	1.7.3	062
7952	1.6SL	222	8824	5.7.1S	117	E1 01-81 21	1.7.3	075
8025	5.3	106	8930	1.5PL	012	E1 01-81 22	1.7.3	076
8047	2.2	108	8996	2.1.1	011	E1 01-99 21	1.6.3	125S
8054	5.7PL	066	9056	4.1	031	E1 02-04 21	1.6.2	081
8054	5.7SL	066	9652	4.1	033	E1 02-05 21	1.6.2	093
8062	7.3	033	9659	9.1	005	E1 02-08 21	1.6.3	117
8062	7.5	030	9754	5.1	030	E1 02-11 21	1.6.1P	067
8117	7.4	022	9754	5.6PL	031	E1 02-11 21	1.6.1S	067
8256	5.7PL	067	9754	5.6SL	031	E1 02-11 22	1.6.1P	068
8256	5.7SL	067	9754	6.3	011	E1 02-11 22	1.6.1S	068
8398	2.1.1	701	9754	6.5SL	039	E1 02-12 21	1.6.5	034
8398	2.3	820	9854	3.1.2S	036	E1 02-13 01	1.6.2	008
8398	3.1.2P	705	E0 01-40 01	1.4	001	E1 02-15 21	1.6.2	097
8398	3.1.2S	705	E0 01-58 21	1.4	006	E1 02-15 22	1.6.2	098
8398	7.2	705P	E0 01-61 21	1.4	007	E1 02-16 21	1.6.1P	037

Order num.	Tab.	Pos.	Order num.	Tab.	Pos.	Order num.	Tab.	Pos.
E1 02-16 21	1.6.1S	037	E1 53-04 22	1.6.1S	322	E3 03-01 22	3.1.2P	004
E1 02-16 22	1.6.1P	038	E1 57-03 21	1.6.5	020	E3 03-01 22	3.1.2S	004
E1 02-16 22	1.6.1S	038	E1 60-01 21	1.2PL	106	E3 03-11 21	3.1.2P	014
E1 02-17 21	1.6.1P	032	E1 60-09 01	1.2PL	014	E3 03-11 21	3.1.2S	014
E1 02-17 21	1.6.1S	032	E1 80-09 21	1.2PL	012	E3 03-15 21	3.1.2P	008
E1 02-18 21	1.6.1P	030	E1 91-01 01	1.2PL	048	E3 03-15 21	7.2	005
E1 02-18 21	1.6.1S	030	E1 91-01 02	1.2PL	049	E3 03-17 21	3.1.2P	012
E1 02-18 22	1.6.1P	031	E1 91-02 21	1.2PL	006	E3 03-17 22	3.1.2P	013
E1 02-18 22	1.6.1S	031	E1 91-05 21	1.2PL	008	E3 03-18 21	3.1.2P	016
E1 02-22 21	1.6.3	125P	E1 91-06 21	1.2PL	017	E3 03-19 21	3.1.2P	009
E1 02-23 21	5.7PL	011	E1 91-07 01	1.2PL	016	E3 03-19 21	3.1.2S	009
E1 02-23 21	5.7SL	011	E1 91-11 01	1.2PL	013	E3 03-20 21	3.1.2P	007
E1 02-28 21	1.6.1P	139	E1 91-14 01	1.2PL	009	E3 03-20 21	3.1.2S	007
E1 02-28 21	1.6.1S	139	E1 92-00 01	1.2PL	001	E3 03-20 21	7.2	006P
E1 02-28 22	1.6.1P	140	E1 92-04 21	1.2PL	029	E3 03-22 21	3.1.2P	018
E1 02-28 22	1.6.1S	140	E1 93-00 01	1.2PL	002	E3 03-22 21	3.1.2S	018
E1 02-29 21	1.6.4	145	E1 93-06 21	1.2PL	010	E3 03-23 21	3.1.2P	005
E1 02-29 22	1.6.4	146	E1 93-09 21	1.2PL	011	E3 03-23 21	3.1.2S	005
E1 02-41 21	1.6.3	071	E1 93-10 21	1.2PL	015	E3 03-23 22	3.1.2P	006
E1 02-65 21	1.6.5	012	E2 50-60 01	1.7.1P	036	E3 03-23 22	3.1.2S	006
E1 02-75 21	1.6.1P	161	E2 50-60 01	1.7.1S	036	E3 03-27 21	3.1.2P	019
E1 02-75 21	1.6.1S	161	E2 51-01 01	2.3.3	081A	E3 03-27 21	3.1.2S	019
E1 02-75 22	1.6.1P	162	E2 55-01 21	2.2	006P	E3 03-27 22	3.1.2P	020
E1 02-75 22	1.6.1S	162	E2 55-02 21	2.2	007P	E3 03-27 22	3.1.2S	020
E1 02-93 21	1.6PL	026	E2 55-03 21	2.2	002	E3 03-28 21	3.1.2P	011
E1 02-97 21	1.6.2	095	E2 55-04 21	2.2	003	E3 03-28 21	3.1.2S	011
E1 02-97 22	1.6.2	096	E2 55-05 21	2.2	008	E3 03-29 21	7.2	001
E1 45-20 01	1.6.3	020	E2 55-06 21	2.2	009P	E3 03-30 01	7.2	007
E1 45-20 02	1.6.3	021	E2 55-07 21	2.2	004	E3 03-33 21	3.1.2S	032
E1 50-01 21	1.6.2	136	E2 55-08 21	2.2	005	E3 03-33 21	7.2	008P
E1 50-02 21	1.6.3	137P	E2 55-10 01	2.2	001	E3 03-34 21	7.2	009S
E1 50-04 21	1.6.1P	051	E2 55-13 21	2.2	010	E3 03-36 21	7.2	010
E1 50-04 22	1.6.1P	052	E2 55-14 21	2.2	011	E3 03-37 21	3.1.2S	030
E1 50-06 21	1.6.3	143	E3 00-02 01	3.1	003P	E3 03-37 21	7.2	002P
E1 50-06 22	1.6.3	144	E3 01-02 01	3.1.1	001	E3 03-38 21	7.2	003
E1 50-16 21	1.6.3	126	E3 01-02 21	3.1.1	005	E3 03-39 21	3.1.2S	031
E1 50-21 21	1.6.1P	122	E3 01-02 22	3.1.1	006	E4 00-03 01	5.7PL	009
E1 50-21 21	1.6.1S	122	E3 01-06 21	3.1.1	010	E4 00-03 01	5.7SL	009
E1 50-21 22	1.6.1P	123	E3 01-07 21	3.1.1	011	E4 01-01 21	5.7PL	016
E1 50-21 22	1.6.1S	123	E3 01-08 21	3.1.1	013	E4 01-01 21	5.7SL	016
E1 50-23 21	1.6.3	055	E3 01-15 21	3.1.1	020	E4 01-08 01	5.7PL	004
E1 50-30 21	1.6.2	183	E3 01-15 22	3.1.1	021	E4 01-08 01	5.7SL	004
E1 50-31 21	1.6.3	075	E3 02-21 21	2.1.1	008	E4 01-17 01	5.7PL	006
E1 50-31 22	1.6.3	076	E3 03-01 01	3.1.2P	001	E4 01-17 01	5.7SL	006
E1 50-40 21	1.6.3	053	E3 03-01 01	3.1.2S	001	E4 01-18 01	5.6PL	004
E1 50-40 22	1.6.3	054	E3 03-01 02	3.1.2P	002	E4 01-18 01	5.7PL	008
E1 51-03 21	1.7.1P	072	E3 03-01 02	3.1.2S	002	E4 01-18 02	5.6PL	005
E1 51-04 21	1.7.2	073P	E3 03-01 21	3.1.2P	003	E4 01-26 21	5.6PL	006
E1 53-04 21	1.6.1S	321	E3 03-01 21	3.1.2S	003	E4 01-26 21	5.7.1S	005

Order num.	Tab.	Pos.	Order num.	Tab.	Pos.	Order num.	Tab.	Pos.
E4 01-26 21	5.7.1S	105	E5 10-11 01	5.6PL	009	E6 10-18 01	6.1	003S
E4 01-26 21	5.7PL	021	E5 10-21 21	5.5.2	001	E6 10-29 21	6.4	015
E4 01-27 22	5.7PL	019	E5 10-22 21	5.5.2	002	E6 10-31 01	6.4	004
E4 01-27 22	5.7SL	019	E5 10-23 21	5.5.2	003	E6 10-50 21	1.4	122
E4 01-29 21	5.6PL	003	E5 10-24 21	5.5.2	004	E6 13-05 21	6.5PL	002
E4 01-29 21	5.7PL	020	E5 10-25 21	5.5.1S	005	E6 13-05 21	6.5SL	005
E4 01-29 21	5.7SL	020	E5 10-25 21	5.5.2	005	E6 14-06 01	1.5PL	010
E4 01-45 01	5.7PL	010	E5 10-26 21	5.5.2	006	E6 14-07 01	1.5PL	011
E4 01-45 01	5.7SL	010	E5 10-27 21	5.5.2	007	E6 14-08 01	1.5PL	010A
E4 01-49 21	5.7PL	015	E5 10-30 21	5.5.1S	006	E6 14-09 01	1.5PL	011A
E4 01-49 21	5.7SL	015	E5 10-30 21	5.5.2	010	E6 14-10 21	6.3	012
E4 01-50 21	5.7PL	062	E5 10-31 21	5.5.2	011	E6 14-11 21	6.3	006
E4 01-50 21	5.7SL	062	E5 10-32 21	5.5.2	008	E6 14-12 21	6.3	023P
E4 01-65 21	5.7PL	079	E5 10-40 01	5.5	001	E6 14-12 21	6.3	023S
E4 01-65 21	5.7SL	079	E5 10-40 01	5.6PL	007	E6 14-13 01	6.3	009
E4 40-10 01	5.7.1S	004	E5 10-40 01	5.6SL	007	E6 14-14 21	6.3	014
E4 40-10 01	5.7.1S	104	E5 10-40 02	5.5	002	E6 55-56 01	6.3	002P
E4 40-10 02	5.7.1S	106	E5 10-40 02	5.6PL	008	E6 55-57 01	6.3	001
E4 53-01 01	5.6PL	001	E5 10-40 02	5.6SL	008	E6 60-63 01	7.6	003
E4 53-55 01	5.7.1S	001	E5 11-01 21	5.5.1P	001	E6 65-04 21	6.4	002
E4 57-58 01	5.7.1S	101	E5 11-02 21	5.5.1P	007	E6 65-05 21	6.4	003
E4 57-59 01	5.7.1S	102	E5 11-03 21	5.5.1P	002	E7 90-01 01	1.7.1S	302
E4 60-62 01	5.1	005P	E5 11-03 21	5.5.1S	002	E8 00-49 01	6.5PL	008
E4 60-62 02	5.1	015P	E5 11-04 21	5.5.1P	012	E8 00-49 01	6.5SL	008
E4 75-82 21	5.7PL	012	E5 11-05 21	5.5.1P	003	E8 00-49 02	6.5SL	007
E4 75-82 21	5.7SL	012	E5 11-06 21	5.5.1P	004	E8 00-79 21	6.5PL	007
E4 85-01 21	5.7PL	024	E5 11-07 21	5.5.1P	008	E8 01-04 21	8.1	007P
E4 85-01 21	5.7SL	024	E5 20-02 21	5.4.1P	001	E8 01-07 01	8.1	010
E4 90-01 01	5.7PL	002	E5 20-10 21	5.2	003	E8 01-07 02	8.1	011
E4 90-01 02	5.7PL	001	E5 20-11 21	5.4.1P	006	E8 01-10 01	8.1	008P
E4 90-10 01	5.7SL	003	E5 20-11 21	5.4.1S	006	E8 01-13 01	8.1	006
E4 90-12 01	5.7.1S	002	E5 20-15 21	5.2	106P	E8 02-10 01	8.1	008S
E4 95-00 01	5.7SL	001	E5 50-50 21	5.5	005	E8 03-08 21	7.3	001
E4 95-01 01	5.7.1S	003	E5 51-50 01	5.2	001P	E8 50-04 21	8.1	014P
E4 96-00 01	5.7SL	002	E5 51-50 02	5.2	002P	E8 50-51 01	8.1	009
E4 96-01 01	5.7.1S	103	E5 51-51 01	5.1	009P	E8 50-52 01	8.1	001
E5 00-11 21	5.8	001	E5 60-02 21	5.6SL	010	E8 50-52 02	8.1	002
E5 00-14 21	5.8	004	E5 60-03 21	5.6SL	012	E8 50-53 01	8.1	003
E5 00-14 22	5.8	005	E5 80-02 21	5.2	104P	E8 50-53 02	8.1	004
E5 00-15 21	5.8	006	E5 80-03 21	5.2	105	E8 50-55 01	8.1	040S
E5 00-21 01	5.8	002	E6 02-20 21	1.4	107	E8 55-56 01	6.5PL	001
E5 00-28 21	5.8	011	E6 03-02 21	1.6.2	029	E8 55-56 01	6.5SL	004
E5 00-29 21	5.8	012	E6 03-06 21	1.6.3	028P	E9 02-20 01	9.1	001
E5 00-30 21	1.2SL	019	E6 03-06 21	1.6.3	073S	S0 00-15 01S	9.1	008
E5 00-30 21	5.6PL	010	E6 10-06 21	6.4	001	S0 20-00 21	2.1.1	002
E5 00-30 21	5.7SL	008	E6 10-16 01	6.1	002	S0 54-12 21	5.1	004
E5 01-21 01	5.4	002P	E6 10-16 02	6.1	004	S0 54-13 21	5.1	016
E5 01-21 02	5.4	003P	E6 10-17 01	6.1	003P	S0 54-17 01	5.1	021
E5 10-11 01	5.5	003P	E6 10-17 02	6.1	005P	S0 54-20 21	5.1	017

Order num.	Tab.	Pos.	Order num.	Tab.	Pos.	Order num.	Tab.	Pos.
S0 54-21 21	5.1	018	S1 66-70 01	8.1	036S	S2 10-53 22	2.3.2	253
S0 54-22 01	5.1	019	S1 66-70 02	8.1	037S	S2 10-54 21	2.3.2	057
S1 00-01 21	1.6.5	026	S1 66-71 01	9.3	001S	S2 10-55 21	2.3.2	259
S1 00-01 22	1.6.5	027	S1 74-06 21	1.2SL	012	S2 10-56 21	2.3.2	260
S1 00-05 01	1.6.2	005	S1 75-78 01	1.6.1P	006	S2 10-57 21	2.3.2	254
S1 00-05 21	1.6.5	023	S1 80-02 21	1.6.2	041	S2 10-57 22	2.3.2	255
S1 00-11 21	1.7.3	030S	S1 80-03 21	1.6.2	300	S2 10-58 21	2.3.2	256
S1 00-12 21	1.7.2	017S	S1 80-04 21	1.6.1S	323	S2 10-58 22	2.3.2	257
S1 01-36 21	1.3	204	S1 80-08 21	1.6.3	304	S2 10-59 21	2.3.2	258L
S1 01-39 21	1.7.2	068	S1 80-09 21	1.6.3	305	S2 10-59 22	2.3.2	258R
S1 01-39 22	1.7.2	069	S1 80-09 22	1.6.3	306	S2 10-61 21	2.3.2	029L
S1 01-40 21	1.3	205	S1 80-11 21	1.6.3	307	S2 10-61 22	2.3.2	029R
S1 02-03 01	1.6.2	001	S1 80-11 22	1.6.3	308	S2 10-64 21	2.3.2	062
S1 02-11 21	1.6.1P	044	S1 80-12 21	1.6.3	309	S2 10-68 21	2.3.2	015L
S1 02-11 21	1.6.1S	044	S1 80-12 22	1.6.3	310	S2 10-68 22	2.3.2	015R
S1 02-11 22	1.6.1P	050	S1 80-13 21	1.6.3	311	S2 10-70 21	2.3.2	017L
S1 02-11 22	1.6.1S	050	S1 80-14 21	1.6.2	312	S2 10-70 22	2.3.2	017R
S1 18-01 21	1.6.5	001	S1 80-14 22	1.6.2	313	S2 10-71 21	2.3.2	018L
S1 20-00 01	1.6.1S	006	S1 80-15 21	1.6.3	314	S2 10-71 22	2.3.2	018R
S1 25-01 21	1.6.1S	315	S1 80-16 21	1.6.5	018	S2 10-90 01	2.3.2	001L
S1 25-02 21	1.6.1S	316	S1 80-16 22	1.6.5	019	S2 10-90 02	2.3.2	001R
S1 25-03 21	1.6.1S	317	S1 80-20 01	1.6.1P	002	S2 55-01 21	2.2	006S
S1 25-04 21	1.6.1S	318	S1 80-21 01	1.6.2	016	S2 55-02 21	2.2	007S
S1 25-04 22	1.6.1S	319	S1 80-22 21	1.6.1P	079	S2 55-06 21	2.2	009S
S1 25-05 21	1.6.1S	320	S1 80-22 21	1.6.1S	079	S3 00-01 01	3.1	001
S1 25-06 21	1.6.1S	051	S1 80-24 21	1.6.2	187	S3 00-02 01	3.1	003S
S1 25-06 22	1.6.1S	052	S2 01-03 01	2.3.1	003L	S3 00-03 01	3.1	002
S1 50-22 21	1.6.5	002	S2 01-03 02	2.3.1	003R	S3 03-01 21	3.1.2P	010
S1 55-71 01	1.7.1S	003	S2 01-04 01	2.3.1	002L	S3 03-01 21	3.1.2S	010
S1 55-72 01	1.7.1S	202	S2 01-04 02	2.3.1	002R	S4 01-04 01	4.1	003
S1 55-73 01	8.1	035S	S2 01-04 21	2.3.2	014	S4 01-08 01	5.7PL	007
S1 55-73 02	8.1	038S	S2 01-05 01	2.1	001	S4 01-08 01	5.7SL	007
S1 55-74 01	1.7.1S	102	S2 01-05 02	2.1	002	S4 01-09 01	4.1	005
S1 55-75 21	1.2SL	008	S2 01-15 01	2.1	003	S4 01-10 01	4.1	004
S1 56-57 01	1.6SL	001	S2 01-15 02	2.1	004	S4 01-11 01	4.1	137
S1 57-02 21	1.6SL	005	S2 01-17 21	2.3.2	016L	S4 01-12 01	4.1	006
S1 57-07 21	1.2SL	028	S2 01-17 22	2.3.2	016R	S4 01-13 01	4.1	008
S1 57-07 22	1.2SL	029	S2 01-21 21	2.3.1	039L	S4 01-14 01	4.1	010
S1 60-01 21	1.6SL	002	S2 01-21 22	2.3.1	039R	S4 01-15 01	4.1	011
S1 60-02 21	1.7.1S	007	S2 10-00 01	2.3	002	S4 01-16 01	5.7PL	005
S1 60-02 22	1.7.1S	008	S2 10-00 02	2.3	003	S4 01-16 01	5.7SL	005
S1 65-01 21	1.2SL	013	S2 10-14 21	2.3.2	013	S4 01-28 21	4.1	064
S1 65-02 21	1.2SL	014	S2 10-15 21	2.3.2	030	S4 01-29 21	4.1	021
S1 65-03 21	1.2SL	015	S2 10-16 21	2.3.3	072	S4 01-30 21	4.1	014
S1 65-04 21	1.2SL	011	S2 10-48 01	2.1	025	S4 02-42 21	5.7PL	032
S1 65-05 21	1.2SL	016	S2 10-51 21	2.3.2	046	S4 02-42 21	5.7SL	032
S1 65-07 21	1.2SL	017	S2 10-52 21	2.3.2	086	S4 02-43 21	5.7PL	033
S1 65-68 01	1.2SL	001	S2 10-52 22	2.3.2	087	S4 02-43 21	5.7SL	033
S1 65-74 01	1.2SL	005	S2 10-53 21	2.3.2	252	S4 62-01 01	5.1	005S

Order num.	Tab.	Pos.	Order num.	Tab.	Pos.	Order num.	Tab.	Pos.
S4 62-01 02	5.1	015S	S6 70-02 21	7.6	004	SG1 01-66 21	1.7.2	070
S5 00-01 01	5.1	001P	S6 70-03 21	7.6	005	SG1 01-82 21	1.7.2	077
S5 00-03 01	5.1	001S	S7 99-62 21	7.5	001	SG1 01-82 22	1.7.2	078
S5 00-09 21	5.1	002	S8 01-04 21	8.1	007S	SG1 01-84 21	1.7.2	061
S5 00-10 21	5.1	003	S8 01-07 01	8.1	015	SG1 01-86 21	1.7.2	063
S5 00-16 01	5.8	003	S8 01-07 02	8.1	016	SG1 01-87 21	1.7.3	049
S5 00-18 01	5.8	029	S8 01-10 01	8.1	019S	SG1 01-89 21	1.7.2	046
S5 00-21 21	5.2	027S	S8 03-04 21	8.1	013S	SG1 01-90 21	1.7.2	045
S5 00-24 01	1.6.3	013	S8 03-05 21	8.1	020S	SG1 01-91 21	1.7.3	011
S5 00-24 02	1.6.3	014	S8 30-01 01	6.5PL	003	SG1 01-91 22	1.7.3	012
S5 00-25 01	1.6.3	011S	S8 30-10 01	6.5PL	004	SG1 01-92 21	1.7.2	013
S5 00-25 02	1.6.3	012S	S8 30-30 01	6.5PL	006	SG1 01-92 22	1.7.2	015
S5 01-11 21	5.1	013	S8 40-20 01	6.5SL	003	SG1 02-09 01	4.1	020
S5 01-11 22	5.1	014	S8 40-25 21	6.5SL	009	SG1 02-21 21	1.6.5	014
S5 01-14 21	5.1	020S	S8 41-10 01	6.5SL	002	SG1 02-23 21	1.6.5	037
S5 01-15 21	5.1	046S	S8 42-01 01	6.5SL	001	SG1 02-24 21	1.6.5	036
S5 01-18 21	5.1	045S	S8 50-04 21	8.1	014S	SG1 02-25 21	1.6.3	116
S5 01-35 01	5.4	001	S9 01-10 01	9.1	011	SG1 02-31 21	1.6.5	003
S5 08-09 01	5.2	111L	S9 05-00 01	9.1	007	SG1 02-37 21	1.6.3	114
S5 08-09 02	5.2	111R	S9 16-00 01	9.3	001P	SG1 02-37 22	1.6.3	115
S5 10-00 01	5.2	001S	SG0 20-01 21	2.1.1	001	SG1 02-38 21	1.6.2	099
S5 10-00 02	5.2	002S	SG1 00-03 21	1.6.5	028	SG1 02-38 22	1.6.2	100
S5 10-01 01	5.3	002S	SG1 00-03 22	1.6.5	029	SG1 02-41 21	1.6.5	035
S5 10-01 21	5.3	101S	SG1 01-01 21	1.7.2	010	SG1 02-45 21	1.6.1P	069
S5 10-03 21	5.3	201S	SG1 01-02 21	1.7.3	006	SG1 02-45 21	1.6.1S	069
S5 10-10 01	5.2	005LS	SG1 01-05 21	1.7.3	009	SG1 02-45 22	1.6.1P	070
S5 10-10 02	5.2	006RS	SG1 01-06 21	1.7.2	017P	SG1 02-45 22	1.6.1S	070
S5 10-11 21	5.2	104S	SG1 01-12 01	1.7.3	001	SG1 02-46 21	1.6.2	118
S5 10-12 21	5.3	006S	SG1 01-12 02	1.7.3	005	SG1 02-47 21	1.6.5	032
S5 10-13 21	5.5	007S	SG1 01-17 21	1.7.3	021	SG1 02-47 22	1.6.5	033
S5 20-01 01	5.5	003S	SG1 01-21 21	1.7.2	024	SG1 02-48 21	1.6.3	082
S5 20-01 01	5.6SL	009	SG1 01-21 22	1.7.2	025	SG1 02-48 22	1.6.3	083
S5 20-01 21	5.5.1S	001	SG1 01-22 21	1.7.2	026	SG1 02-50 21	1.6.5	030
S5 20-02 21	5.5.1S	003	SG1 01-23 21	1.7.3	027	SG1 02-50 22	1.6.5	031
S5 20-03 21	5.5.1S	004	SG1 01-28 21	1.7.2	032	SG1 02-54 21	5.2	025
S5 20-15 21	5.2	106S	SG1 01-29 21	1.7.2	033	SG1 02-66 21	1.6.3	048
S5 30-02 01	5.4.1S	001	SG1 01-31 21	1.7.2	060	SG1 02-73 21	1.6.2	060
S5 30-02 02	5.4.1S	002	SG1 01-32 21	1.7.2	059	SG1 02-82 21	1.6.2	160P
S5 30-02 21	5.4.1S	101	SG1 01-43 21	1.7.1P	047	SG1 02-84 21	1.6.1P	078
S5 30-02 22	5.4.1S	102	SG1 01-43 21	1.7.1S	047	SG1 02-84 21	1.6.1S	078
S5 30-03 01	5.4	002S	SG1 01-44 21	1.7.1P	048	SG1 02-87 21	1.6.1P	080
S5 30-03 02	5.4	003S	SG1 01-44 21	1.7.1S	048	SG1 02-87 21	1.6.1S	080
S5 51-59 01	5.1	010S	SG1 01-46 21	1.7.2	050	SG1 02-89 21	5.2	027P
S5 75-80 01	5.2	005LP	SG1 01-47 21	1.7.2	051	SG1 02-90 21	5.2	026
S5 75-80 02	5.2	006RP	SG1 01-50 21	1.7.2	054	SG1 02-91 01	1.6.3	011P
S6 14-11 01	6.3	002S	SG1 01-51 21	1.7.2	055	SG1 02-91 02	1.6.3	012P
S6 32-33 01	1.5SL	001	SG1 01-52 21	1.7.2	056	SG1 02-93 01	5.2	024
S6 32-34 01	1.5SL	002	SG1 01-53 21	1.7.2	057	SG1 10-01 21	1.6.5	022
S6 70-01 21	7.6	001	SG1 01-54 21	1.7.2	058	SG1 10-02 21	1.6.5	021

Order num.	Tab.	Pos.	Order num.	Tab.	Pos.	Order num.	Tab.	Pos.
SG1 10-03 21	1.6.5	016	SG4 01-22 21	4.1	012			
SG1 10-04 21	1.6.5	015	SG4 01-25 01	4.1	013			
SG1 15-01 01	1.7.3	065	SG5 00-12 21	5.1	006			
SG1 18-02 21	1.6.5	006	SG5 21-01 21	5.1	007			
SG1 18-02 22	1.6.5	007	SG6 04-03 21	1.4	115			
SG1 18-03 21	1.6.5	004	SG7 05-01 01	2.3.3	081B			
SG1 18-03 22	1.6.5	005	XXXXX	1.5PL	011B			
SG1 18-04 21	1.6.5	010						
SG1 18-04 22	1.6.5	011						
SG1 18-05 21	1.6.5	008						
SG1 18-05 22	1.6.5	009						
SG1 18-06 21	1.6.5	017						
SG1 18-07 21	1.6.5	013						
SG1 50-02 21	1.6.4	103						
SG1 50-11 21	1.6.4	063						
SG1 50-13 21	1.6.3	056						
SG1 50-13 22	1.6.3	062						
SG1 50-25 21	1.6.4	171						
SG1 50-29 21	1.6.5	024						
SG1 50-29 22	1.6.5	025						
SG2 01-06 21	2.3.2	012						
SG2 01-17 21	2.3.2	038						
SG2 01-19 21	2.3.2	019						
SG2 01-22 21	2.3.2	045						
SG2 01-23 21	2.3.2	047L						
SG2 01-23 22	2.3.2	047R						
SG2 01-24 21	2.3.2	044						
SG2 01-32 21	2.3.2	052L						
SG2 01-32 22	2.3.2	052R						
SG2 01-45 21	2.3.2	070						
SG3 01-01 21	3.1.1	004						
SG3 01-03 21	3.1.1	007						
SG3 01-04 21	3.1.1	008						
SG3 01-05 21	3.1.1	009						
SG3 01-09 21	3.1.1	012						
SG3 01-11 21	3.1.1	016						
SG3 01-12 21	3.1.1	017						
SG3 01-14 21	3.1.1	022						
SG3 01-16 21	3.1.1	019						
SG3 01-17 21	3.1.2P	021						
SG3 01-17 21	3.1.2S	021						
SG3 01-18 21	3.1.2P	022						
SG3 01-18 21	3.1.2S	022						
SG3 01-23 21	3.1	101						
SG3 01-23 22	3.1	102						
SG4 01-02 01	4.1	001						
SG4 01-03 01	4.1	002						
SG4 01-03 02	4.1	007						
SG4 01-19 01	4.1	009						



Spare Parts Order

Please, do not complete gray-shaded areas.

From:	<table border="1"> <tr> <td style="width: 10px; height: 15px;"></td> <td style="width: 10px; height: 15px;"></td> <td style="width: 10px; height: 15px;"></td> <td style="width: 10px; height: 15px;"></td> <td style="width: 10px; height: 15px;"></td> <td style="width: 10px; height: 15px;"></td> <td style="width: 10px; height: 15px;"></td> <td style="width: 10px; height: 15px;"></td> <td style="width: 10px; height: 15px;"></td> <td style="width: 10px; height: 15px;"></td> <td style="width: 10px; height: 15px;"></td> <td style="width: 10px; height: 15px;"></td> <td style="width: 10px; height: 15px;"></td> <td style="width: 10px; height: 15px;"></td> <td style="width: 10px; height: 15px;"></td> <td style="width: 10px; height: 15px;"></td> <td style="width: 10px; height: 15px;"></td> <td style="width: 10px; height: 15px;"></td> <td style="width: 10px; height: 15px;"></td> <td style="width: 10px; height: 15px;"></td> </tr> <tr> <td colspan="20">Date:</td> </tr> <tr> <td colspan="20"> EVEKTOR-AEROTECHNIK a.s. Letecka 1384 686 04 KUNOVICE CZECH REPUBLIC Tel.: +420 572 537 111 Fax.: +420 572 537 900 </td> </tr> </table>																					Date:																				EVEKTOR-AEROTECHNIK a.s. Letecka 1384 686 04 KUNOVICE CZECH REPUBLIC Tel.: +420 572 537 111 Fax.: +420 572 537 900																			
Date:																																																													
EVEKTOR-AEROTECHNIK a.s. Letecka 1384 686 04 KUNOVICE CZECH REPUBLIC Tel.: +420 572 537 111 Fax.: +420 572 537 900																																																													

1	1.Registration.....	4.Type.....	
	2.S/N.....	5.Tot. hours flown.....	
	3.Number of Take-offs.....	6. Date of Failure detection.....	

2	Damaged part		
		
	NOM		Total oper. hrs. logged.....

3	Failure detected during	1-Flight	2-Taxying	3-Daily Mainten.	4-Periodic insp.
---	-------------------------	----------	-----------	------------------	------------------

4	Failure consequence	1-Flight completed	2-Flight interrupted	3-Take-off possible	4-Take-off impossible
---	---------------------	--------------------	----------------------	---------------------	-----------------------

5	Failure description:							
	<table border="1" style="width: 100px; height: 20px;"> <tr> <td style="width: 33%;"></td> <td style="width: 33%;"></td> <td style="width: 33%;"></td> </tr> </table>							

6	Repair carried out by:	1-Own means	2-Suppliers service	3-Ordering repair
---	------------------------	-------------	---------------------	-------------------

7	Failure cause:							
	<table border="1" style="width: 100px; height: 20px;"> <tr> <td style="width: 33%;"></td> <td style="width: 33%;"></td> <td style="width: 33%;"></td> </tr> </table>							

8	We order - part(s) stated in par. 2 *) We order - a repair of part(s) stated in par.2 We order - necessary material according to the list enclosed, Number of Pages:.....				
---	--	--	--	--	--

Please, use the following format to the list of ordered parts:					
Picture	Pos.	Order number	Designation	Pcs.	Note

Other date:	Signature:.....
*) cancel inappropriate	Date:.....

9	Received by:				
---	--------------	--	--	--	--

